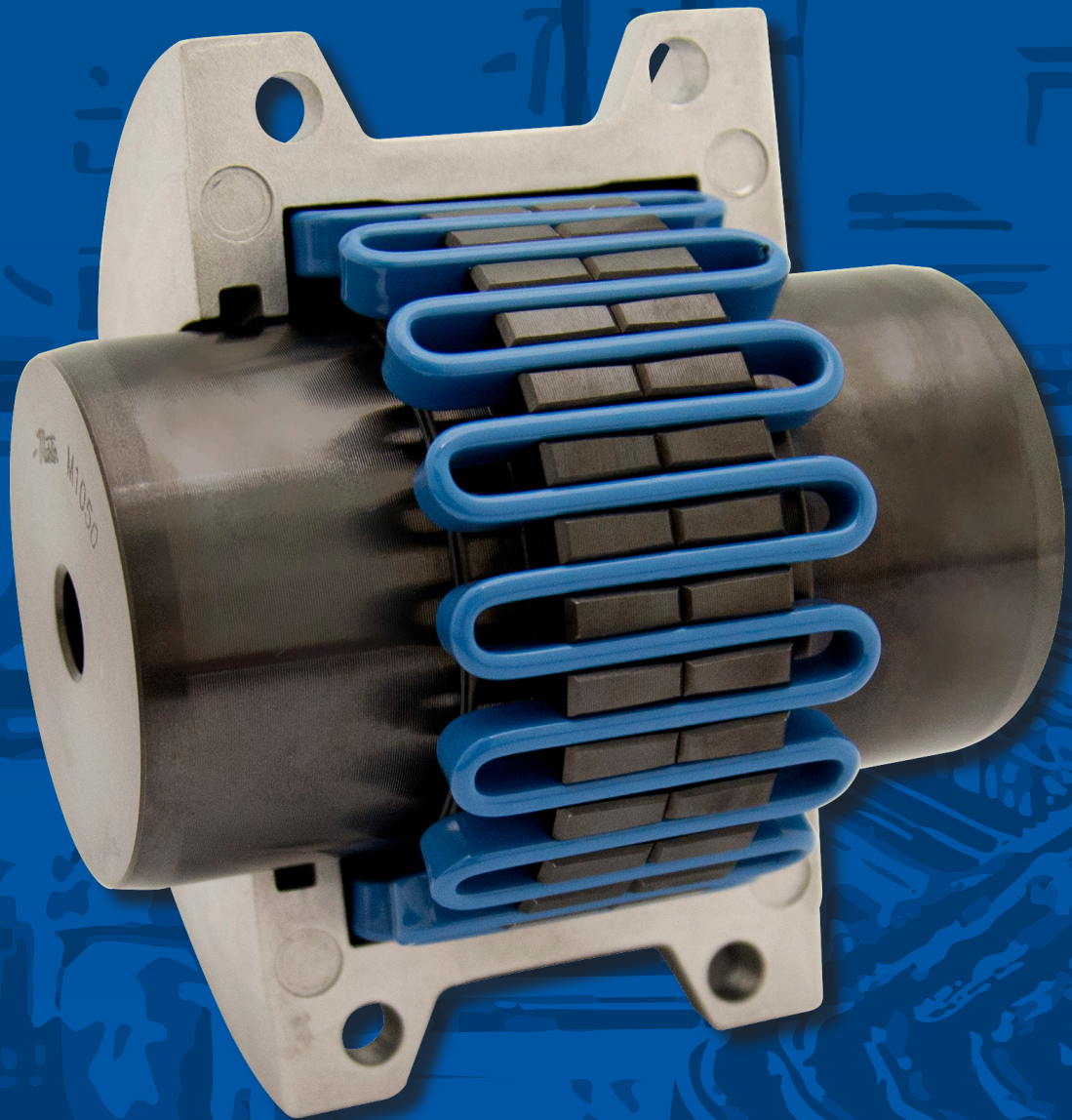


Martin

Blue-Flex™ Grid Coupling

Horizontal Split Cover
Vertical Split Cover
High Torque Transmitting
Reduced Vibration & Noise



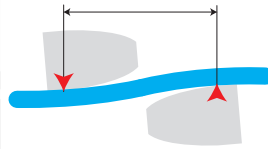
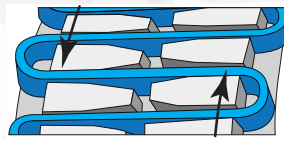
BLUE FLEX™



Martin Blue-Flex™ Grid Couplings handle high torque levels and high RPM applications in a small package. Unlike other metallic couplings, *Martin* Blue-Flex™ Grid Couplings have the ability to reduce vibration and cushion shock loads to driven and driving power transmitting equipment components.

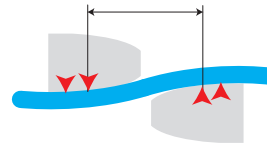
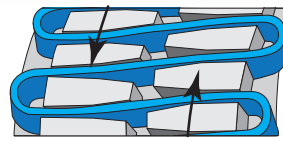
Progressive contact between the curved profile of the hub teeth and the flexible grid makes it possible to absorb impact energy by spreading it out, reducing the magnitude of the peak loads.

Martin Blue-Flex™ Grid Couplings follow the same *Martin* Product/Service Standards that make *Martin* the One Industry Relies On for Quality, Availability and Service.



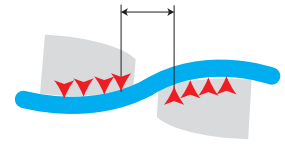
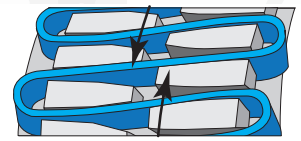
Light Load

The grid bears the stress near the outer edge of the hub teeth. The long span between the point of contact remains free to flex under load variations.



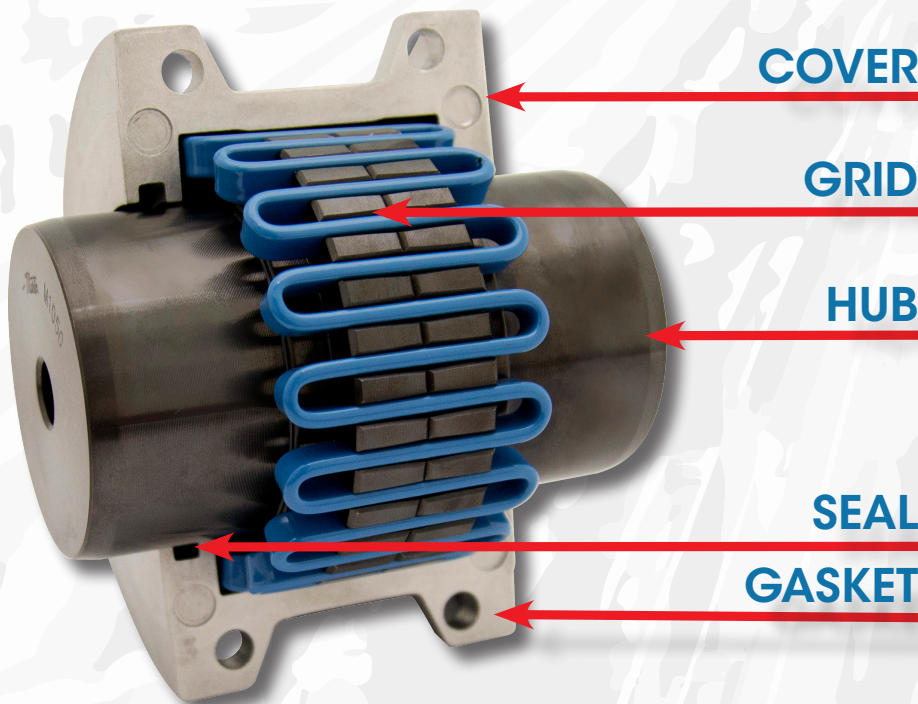
Normal Load

As the load increases, the distance between contact points on the hub teeth is shortened, but a free span still remains to cushion shock loads.



Shock Load

The coupling is flexible within its rated capacity. Under extreme overloads, the grid bears the stress on the hub teeth and transmits full load directly.



COMPONENTS



GRID



COVER



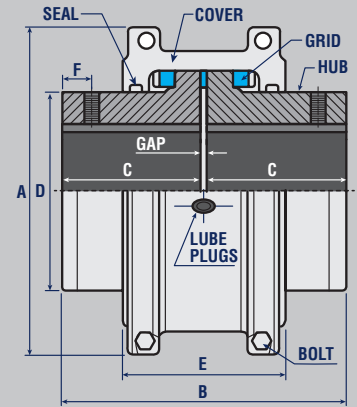
HUBS



GASKET, SEAL, BOLT KIT & GREASE PACKET

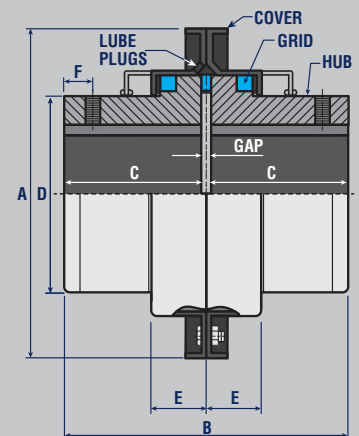
Martin Blue-Flex™ Grid Coupling — M10 Style

Coupling Size	HP per 100 RPM	Max Speed (RPM)	Basic Torque (lb-in)	Bore Dia.		Dimensions (in)						Gap (in)		Complete Wt. (lb)	Lub. Wt. (lb)
				Max.	Min.	A	B	C	D	E	F	Normal			
1020M10	0.68	4,500	460	1.12	0.50	4.00	3.86	1.87	1.56	2.62	0.31	0.12	4.2	0.1	
1030M10	1.93	4,500	1,320	1.37	0.50	4.37	3.86	1.87	1.94	2.69	0.31	0.12	5.7	0.1	
1040M10	3.22	4,500	2,200	1.62	0.50	4.63	4.12	2.00	2.25	2.76	0.31	0.12	7.5	0.1	
1050M10	5.63	4,500	3,850	1.87	0.50	5.43	4.87	2.37	2.63	3.13	0.31	0.12	11.9	0.1	
1060M10	8.85	4,350	6,050	2.12	0.75	5.93	5.12	2.50	3.00	3.62	0.31	0.12	16.1	0.2	
1070M10	13	4,125	8,800	2.50	0.75	6.37	6.12	3.00	3.44	3.74	0.50	0.12	22.0	0.2	
1080M10	27	3,600	18,150	3.00	1.06	7.64	7.12	3.50	4.13	4.57	0.50	0.12	39.7	0.4	
1090M10	48	3,600	33,000	3.50	1.06	8.39	7.87	3.87	4.87	4.80	0.63	0.12	55.1	0.6	
1100M10	81	2,400	55,550	4.00	1.63	9.84	9.67	4.75	5.59	6.12	0.63	0.18	92.6	0.9	
1110M10	121	2,250	82,500	4.50	1.63	10.63	10.18	5.00	6.31	6.36	0.75	0.18	119.0	1.1	
1120M10	177	2,025	121,000	5.00	2.37	12.13	11.98	5.87	7.06	7.54	0.75	0.25	178.6	1.6	
1130M10	257	1,800	176,000	6.00	2.63	13.62	12.98	6.37	8.56	7.68	1.19	0.25	266.8	2.0	
1140M10	370	1,650	253,000	7.25	2.63	15.12	14.63	7.20	10.00	7.91	1.19	0.25	392.4	2.5	
1150M10	515	1,500	352,000	8.00	4.25	17.84	14.64	7.20	10.60	10.68	1.19	0.25	515.9	4.3	
1160M10	724	1,350	495,000	9.00	4.75	19.74	15.83	7.80	12.00	10.98	1.19	0.25	698.9	6.2	
1170M10	965	1,225	660,000	10.00	5.25	22.30	17.24	8.50	14.00	11.98	1.19	0.25	987.7	7.7	
1180M10	1338	1,100	915,000	11.00	6.00	24.80	19.05	9.40	15.50	12.64	1.50	0.25	1364.7	8.3	
1190M10	1770	1,050	1,210,000	12.00	6.00	26.60	20.64	10.20	17.20	12.80	1.50	0.25	1710.8	9.7	
1200M10	2413	900	1,650,000	13.00	7.00	29.80	22.24	11.00	19.60	14.00	1.50	0.25	2330.3	12.4	



Martin Blue-Flex™ Grid Coupling — M20 Style

Coupling Size	HP per 100 RPM	Max Speed (RPM)	Basic Torque (lb-in)	Bore Dia.		Dimensions (in)						Gap (in)		Complete Wt. (lb)	Lub. Wt. (lb)
				Max.	Min.	A	B	C	D	E	F	Normal			
1020M20	0.68	6000	460	1.12	0.50	4.37	3.86	1.87	1.56	0.95	0.31	0.12	4.4	0.1	
1030M20	1.93	6000	1,320	1.37	0.50	4.75	3.86	1.87	1.94	0.98	0.31	0.12	5.7	0.1	
1040M20	3.22	6000	2,200	1.62	0.50	5.06	4.12	2.00	2.25	1.01	0.31	0.12	7.5	0.1	
1050M20	5.63	6000	3,850	1.87	0.50	5.81	4.87	2.37	2.63	1.23	0.31	0.12	11.9	0.1	
1060M20	8.85	6000	6,050	2.12	0.75	6.40	5.12	2.50	3.00	1.27	0.31	0.12	16.1	0.2	
1070M20	13	5500	8,800	2.50	0.75	6.81	6.12	3.00	3.44	1.33	0.50	0.12	22.9	0.2	
1080M20	27	4750	18,150	3.00	1.06	7.87	7.12	3.50	4.13	1.74	0.50	0.12	39.0	0.4	
1090M20	48	4000	33,000	3.50	1.06	8.42	7.87	3.87	4.87	1.88	0.63	0.12	56.0	0.6	
1100M20	81	3250	55,550	4.00	1.63	10.50	9.67	4.75	5.59	2.36	0.63	0.18	93.0	0.9	
1110M20	121	3000	82,500	4.50	1.63	11.25	10.18	5.00	6.31	2.53	0.75	0.18	119.9	1.1	
1120M20	177	2700	121,000	5.00	2.37	12.56	11.98	5.87	7.06	2.89	0.75	0.25	179.9	1.6	
1130M20	257	2400	176,000	6.00	2.63	14.87	12.98	6.37	8.56	2.96	1.19	0.25	270.1	2.0	
1140M20	370	2200	253,000	7.25	2.63	16.38	14.63	7.20	10.00	3.08	1.19	0.25	397.1	2.5	
1150M20	515	2000	352,000	8.00	4.25	18.75	14.64	7.20	10.60	4.21	1.19	0.25	507.1	4.3	
1160M20	724	1750	495,000	9.00	4.75	21.00	15.83	7.80	12.00	4.50	1.19	0.25	707.9	6.2	
1170M20	965	1600	660,000	10.00	5.25	23.00	17.24	8.50	14.00	4.70	1.19	0.25	988.1	7.7	
1180M20	1,338	1400	915,000	11.00	6.00	24.80	19.04	9.40	15.50	5.12	1.50	0.25	1302.9	8.3	
1190M20	1,770	1300	1,210,000	12.00	6.00	26.97	20.64	10.20	17.20	5.31	1.50	0.25	1677.7	9.7	
1200M20	2,413	1100	1,650,000	13.00	7.00	29.02	22.24	11.00	19.60	5.71	1.50	0.25	2250.9	12.4	





M10 Cover Horizontal Split	M20 Cover Vertical Split for Higher RPM	Hubs Plain Bore	Grids
1020M10-COV	1020M20-COV	1020M-HUB	1020M-GRID
1030M10-COV	1030M20-COV	1030M-HUB	1030M-GRID
1040M10-COV	1040M20-COV	1040M-HUB	1040M-GRID
1050M10-COV	1050M20-COV	1050M-HUB	1050M-GRID
1060M10-COV	1060M20-COV	1060M-HUB	1060M-GRID
1070M10-COV	1070M20-COV	1070M-HUB	1070M-GRID
1080M10-COV	1080M20-COV	1080M-HUB	1080M-GRID
1090M10-COV	1090M20-COV	1090M-HUB	1090M-GRID
1100M10-COV	1100M20-COV	1100M-HUB	1100M-GRID
1110M10-COV	1110M20-COV	1110M-HUB	1110M-GRID
1120M10-COV	1120M20-COV	1120M-HUB	1120M-GRID
1130M10-COV	1130M20-COV	1130M-HUB	1130M-GRID
1140M10-COV	1140M20-COV	1140M-HUB	1140M-GRID
1150M10-COV	1150M20-COV	1150M-HUB	1150M-GRID
1160M10-COV	1160M20-COV	1160M-HUB	1160M-GRID
1170M10-COV	1170M20-COV	1170M-HUB	1170M-GRID



M10 Installation Kit	M20 Installation Kit	M10 Sub-Assembly kit Horizontal Split	M20 Sub-Assembly kit Vertical Split for Higher RPM
1020M10-SEAL*	1020M20-SEAL*	1020M10-SUBASY	1020M20-SUBASY
1030M10-SEAL*	1030M20-SEAL*	1030M10-SUBASY	1030M20-SUBASY
1040M10-SEAL*	1040M20-SEAL*	1040M10-SUBASY	1040M20-SUBASY
1050M10-SEAL*	1050M20-SEAL*	1050M10-SUBASY	1050M20-SUBASY
1060M10-SEAL*	1060M20-SEAL*	1060M10-SUBASY	1060M20-SUBASY
1070M10-SEAL*	1070M20-SEAL*	1070M10-SUBASY	1070M20-SUBASY
1080M10-SEAL*	1080M20-SEAL*	1080M10-SUBASY	1080M20-SUBASY
1090M10-SEAL*	1090M20-SEAL*	1090M10-SUBASY	1090M20-SUBASY
1100M10-SEAL	1100M20-SEAL	1100M10-SUBASY	1100M20-SUBASY
1110M10-SEAL	1110M20-SEAL	1110M10-SUBASY	1110M20-SUBASY
1120M10-SEAL	1120M20-SEAL	1120M10-SUBASY	1120M20-SUBASY
1130M10-SEAL	1130M20-SEAL	1130M10-SUBASY	1130M20-SUBASY
1140M10-SEAL	1140M20-SEAL	1140M10-SUBASY	1140M20-SUBASY
1150M10-SEAL	1150M20-SEAL	1150M10-SUBASY	1150M20-SUBASY
1160M10-SEAL	1160M20-SEAL	1160M10-SUBASY	1160M20-SUBASY
1170M10-SEAL	1170M20-SEAL	1170M10-SUBASY	1170M20-SUBASY

* Includes Grease Packet

Grease Packet
Mobil Grease XTC 3oz Packet
MOBILXTC 3 OZ



USA

**Corporate Offices
Sales & Manufacturing**
Arlington, TX
817-258-3000 (FAX 817-258-3333)

**Regional
Manufacturing Plants**

Albemarle, NC
704-982-9555 (FAX 704-982-9599)

Atlanta, GA
404-292-8744 (FAX 404-292-7771)

Burleson, TX
817-295-7151 (FAX 817-447-3840)

Danielsville, PA
610-837-1841 (FAX 610-837-7337)

Ft. Worth, TX
817-258-3000 (FAX 817-258-3173)

Montpelier, OH
419-485-5515 (FAX 419-485-3565)

Sacramento, CA
916-441-7172 (FAX 916-441-4600)

Branch Manufacturing Plants

Boston, MA
508-634-3990 (FAX 508-634-3998)

Charlotte, NC
704-394-9111 (FAX 704-394-9122)

Chicago, IL
847-298-8844 (FAX 847-298-2967)

Denver, CO
303-371-8466 (FAX 303-371-7116)

Houston, TX
713-849-4330 (FAX 713-849-4807)

Kansas City, MO
816-231-5575 (FAX 816-231-1959)

Los Angeles, CA
323-728-8117 (FAX 323-722-7526)

Minneapolis, MN
952-829-0623 (FAX 952-944-9385)

Nashville, TN
615-871-4730 (FAX 615-871-4125)

Pittsburgh, PA
724-452-4555 (FAX 724-452-5794)

Portland, OR
503-223-7261 (FAX 503-221-0203)

Tampa, FL
813-623-1705 (FAX 813-626-8953)

Manufacturing Only

Abilene, TX • Clarksville, TX
Dallas, TX • Mansfield, TX
Paragould, AR

CANADA

Cambridge, Ontario
519-621-0546 (FAX 519-621-4413)

Edmonton, Alberta
780-450-0888 (FAX 780-465-0079)

Mississauga, Ontario
905-670-1991 (FAX 905-670-2110)

MEXICO

Guadalajara, JAL
+52 33-3283-1188
(FAX +52 33-3271-8450)

Monterrey, N.L.
+52 811 156 6830
(FAX +52 81-1156-6833)

Toluca, MEX
+52 722 276 0800
(FAX +52 722-276-0801)

BRAZIL

São Paulo, SP
+55 19 3877 9400
(FAX +55 19-3877-9429)

martinsprocket.com

