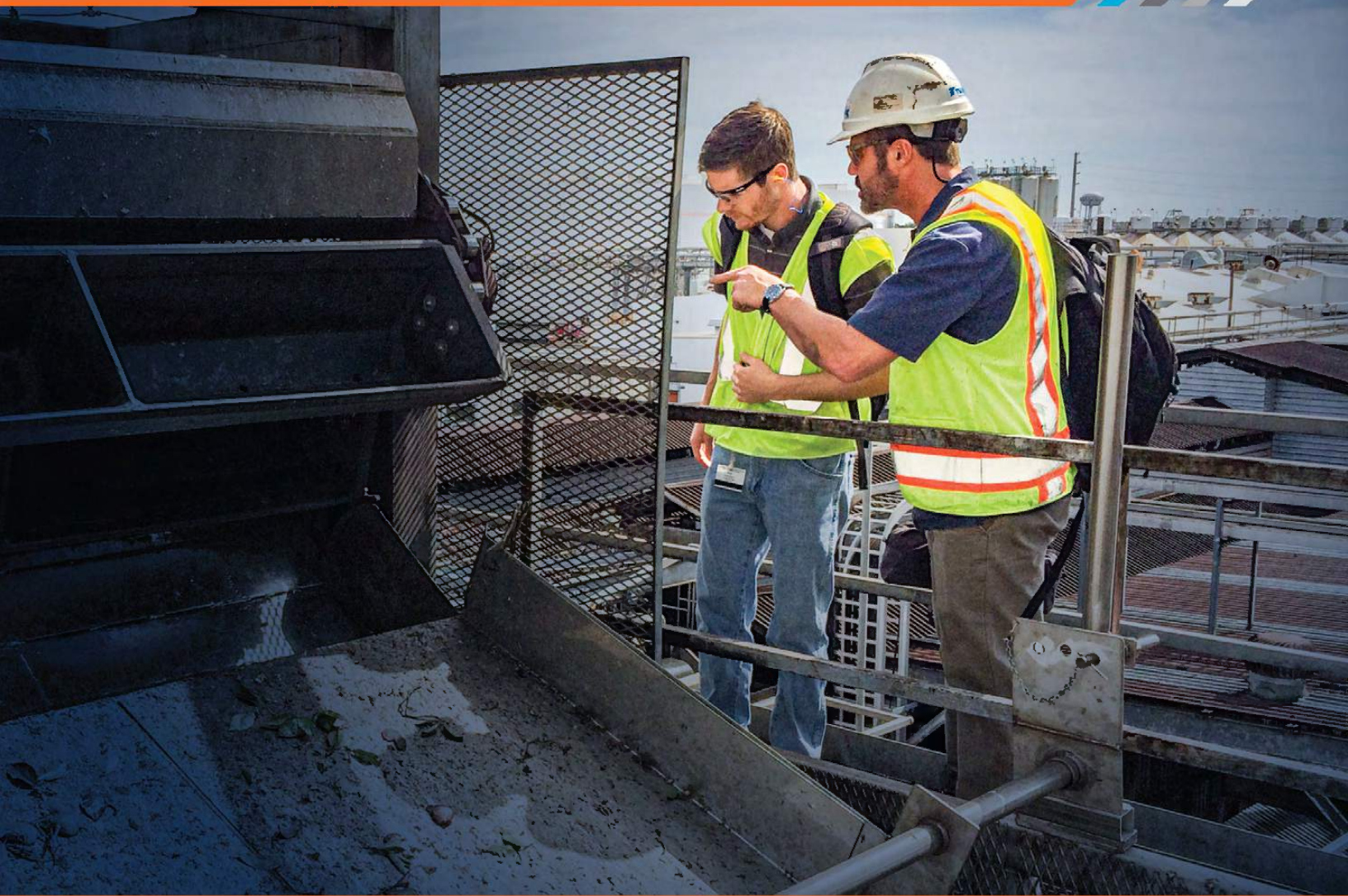


GENERAL PRODUCT CATALOG

# ENGINEERING CHAIN



 **TSUBAKI**

LEADING THE MOVEMENT

# Powering Your Every Need

Tsubaki's wide range of power transmission and motion control products are here for your various operational needs. From the simplest to the most complicated applications, we have the right product for you. Quality is guaranteed. Expect to get maximum performance from any of our products.

## Roller Chains

Challenging applications require the most innovative problem solvers. From carbon to alloy steel, to corrosion resistance, lube-free and harsh environment duty, Tsubaki has the problem solver for all of your challenging roller chain applications.



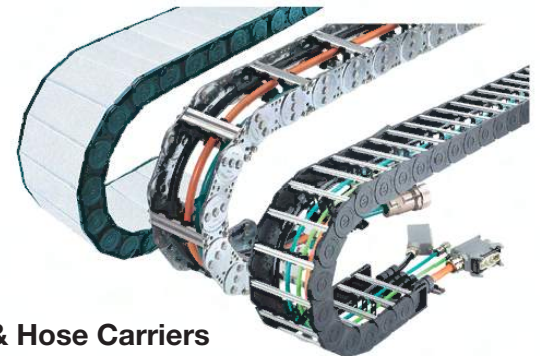
## Sprockets

It has to be precise and strong. Extensive design, engineering, and manufacturing capability allows us to produce a wide variety of Made-To-Order (MTO) sprocket products for a multitude of applications. From one-off custom to high volume OEM sprocket requirements, Tsubaki has you covered.



## Power Transmission Components and Backstops

Quality designs and features are key when it comes to clutches and backstops. From preventing reverse rotations to overheating, Tsubaki clutches and backstops are designed to outperform the competition. With a variety of innovative power transmission solutions from overload protection to keyless shaft mounting devices to custom zip chain lifters, Tsubaki has your solution.



## Cable & Hose Carriers

It is not a one-size-fits all solution. Not all applications can be solved by one type of carrier. Tsubaki KabelSchlepp's cable & hose carriers come in nylon, steel and hybrid materials. Whether you have an extremely heavy cable package or an ultra long travel length, we have the perfect carrier for you.

# Table of Contents

## Introduction to Tsubaki Engineering Class Chain

Dedicated USA Manufacturing .....	5
Market Leading Innovations for Enhanced Reliability and Performance .....	7
Custom Engineered Solutions for Demanding Applications .....	8
Engineering Field Services and Support .....	10

## Engineering Class Chain Basics

Chain & Sprocket Lifecycle Support .....	11
Engineering Chain Basics .....	13
Standard Roller Types .....	16
Common Attachment Types .....	17
Attachment Spacing Nomenclature .....	18
How to Order a Chain .....	19

## Portfolio of Standard Chains

Drive Chains .....	21
Roller Conveyor Chains .....	32
Delrin Series Chains .....	121
Incline Scraper Chains .....	125
Dual Strand Elevator Chains .....	133
Steel Bushed Chains .....	142
Feeder Chains .....	169
Forged Mining Chains .....	181
In-Floor Double Flex Chains .....	186
Bar and Pin Chains .....	191
Drop Forged Rivetless Chains .....	192
Welded Steel Chains .....	194
Mill Chains .....	195
Drag Chains .....	234
HDHF Drag Chains .....	243

## Value Added Assemblies

Apron Conveyor Assemblies .....	244
Buckets and Bucket Assemblies .....	246
Drag Chain Assemblies .....	248

## Ancillary Products

Sprockets / Traction Rims .....	252
Backstops .....	258
One Touch Doors .....	260
Chain Assembly Tools .....	263

Index .....	264
-------------	-----



# 100+ YEARS. 70+ LOCATIONS. 1 MISSION.

For more than 100 years, Tsubaki has developed and manufactured the highest quality products for power transmission, material handling and motion control. An intense focus on innovation and an unwavering commitment to quality has helped us consistently meet the evolving needs of our customers since 1917.

Today, we have more than 26 manufacturing sites globally and our products are sold in more than 70 countries. Our international presence affords us access to the brightest minds in engineering, many of whom have contributed to the development of our industry leading products and services.



*Don't see what you need? Call us at 1-800-323-7790 and we will make it!*



# Dedicated Manufacturing

US Tsubaki's Engineering Chain Division is located on the southern shores of Lake Erie in the historic town of Sandusky, Ohio. The dedicated manufacturing facility has been producing premium Engineering Class Chain since 1917 and possess full in-house, market leading engineering and production capabilities. From first cut to final inspection, Tsubaki proudly controls the entire manufacturing process.



# Market Leading Innovation

Innovation Excellence is synonymous with the Tsubaki brand. Each and every day Tsubaki strives to develop unique, effective solutions for our customers most demanding applications. This unwavering dedication to innovation continuously redefines what is possible, allowing our customers to maximize their productivity and overall operational reliability.

*“Prior to implementing Tsubaki’s patented sealed-joint solution, we were replacing the chain in our large boiler-feed drag conveyors annually. The chains from Tsubaki have now completed their 4th season and are still going strong. To date, we estimate an approximate savings of \$350,000. Tsubaki’s progressive thinking and thorough understanding of material handling and power transmission systems have benefited our operations significantly ”*

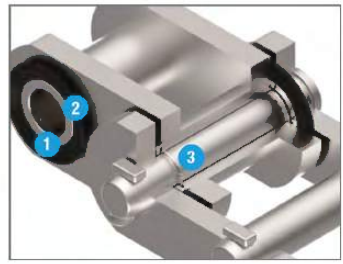
– **Brett N.** Mill Operations Manager, Food Production

# Industry Leading Innovations for Enhanced Reliability and Performance

## Patented SJ3™ Sealed Joint Technology

Tsubaki's patented SJ3™ design incorporates an exclusive combination of three distinct seals to effectively mitigate the penetration of aggressive fine particulate into a chain's critical bearing areas. A patented stainless steel internal seal holds tight onto the pin and rotates within a specially machined groove inside the bushing, creating a structural labyrinth to effectively inhibit the infiltration of abrasive debris. This technology is ideal for applications experiencing kinking, packed joints or aggressive dry cavitation. For less severe or more economical applications, a dual seal configuration is also available.

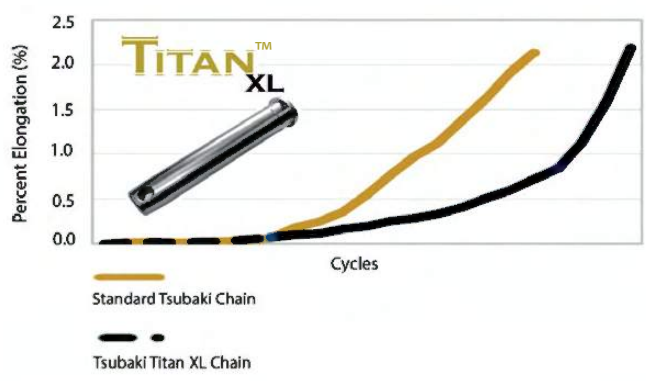
- SJ3™**  
Sealed Technology
1. Extended Bushing Barrier Seal
  2. Polymeric Gasket Seal
  3. Patented Stainless Steel Labyrinth Seal



- SJ2™**  
Sealed Technology
1. Extended Bushing Barrier Seal
  2. Polymeric Gasket Seal

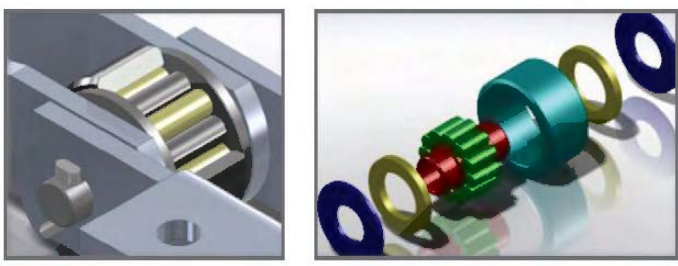
## TitanXL™ Enhanced Wear Technology

Tsubaki's TitanXL™ extended wear technology leverages a proprietary pin coating to effectively delay the onset of aggressive dry wear in extreme, heavy-duty Engineering Class applications. This upgraded technology is available as an option on most Tsubaki Engineering Class chain designs and is ideal for harsh drive, conveying and elevating applications.



## Patented Bearing Rollers

Tsubaki's patented Bearing Roller design leverages a unique cylindrical roller bearing directly incorporated into a chain's rollers. This innovative labyrinth configuration significantly reduces frictional forces and the need for continuous lubrication. Chains utilizing the Tsubaki Bearing Roller can often be downsized without sacrificing performance or longevity. Chains subject to the "slip stick" dynamic are ideal candidates for the patented Tsubaki Bearing Roller.



## Smart Tooth® Sprockets

Tsubaki's Smart Tooth® sprockets with patented Wear Indicator Technology offer the ability to easily and proactively identify and schedule maintenance before a critical component failure. This innovative design not only allows for proactive sprocket wear identification, it also mitigates the risk of worn sprockets permanently damaging the mating chain. This patented technology is available on most Engineering Class Sprockets.



# Engineered Solutions for Demanding Applications -

**Amusement Park**



**Automotive Assembly**



**Bi-Planer / Sortation**



**Crawler Pad**



**Dam / Tainter Gates**



**Drag Chain Assemblies**



**Feeder Breakers / Flights**



**Flat Top / Gull Wing**



**Hydrostatic Cooker**



**Silo-Cutter**



**Stacker / Reclaimer**



**Sugar Processing**





**Bottle Washing / Sanitizing**



**Bucket Elevator / Buckets**



**Citrus / Produce**



**Draw Bench**



**Dryers / Dehydrators**



**Escalator / Walkway**



**Looper**



**Oven / High Temp**



**Pan Conveyors / Aprons**



**Top Roller**



**Unloaders—  
Ship/Barge/Rail**



**Water Screen / Filtration**





# Engineering Field Service & Support

Tsubaki's commitment to the customer goes well beyond the product itself. Leveraging a direct technical field presence, Tsubaki proactively ensures our customers the most reliable and predictable service lifecycles in the industry. A properly specified, installed and maintained chain should never break, but wear predictably, allowing for maximum productivity and ultimate reliability.

*"Tsubaki's field service team provided critical installation guidance for my staff, assuring accurate setup and proper alignment from the very beginning – simple in approach, but substantial in value."*

– **Chris G.** Maintenance Manager, Cement Production

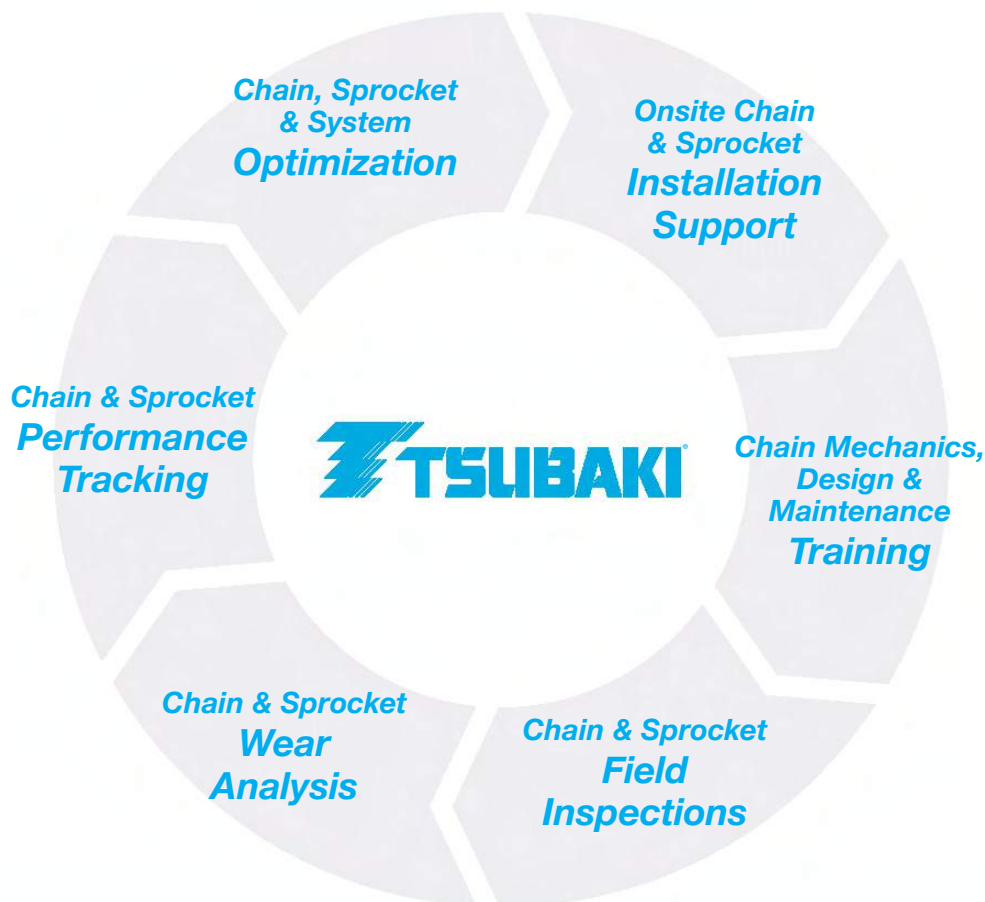
# Chain & Sprocket Lifecycle Support

**Improve your Operational Reliability and Productivity with Tsubaki ProService<sup>®</sup>**  
Our Industry Leading Chain and Sprocket Lifecycle Field Service Package.

Let our industry-leading team build the ideal chain for your project. We will optimize the chain's performance as your needs change, and proactively assist with its performance throughout its lifecycle.

## BENEFITS

- Improved operational reliability.
- Lower cost of ownership.
- Reliable and predictable performance.
- Employee development and training.
- Proactive partnership with the world's premier chain manufacturer.



**Proactive services that help you capture the maximum value out of your Tsubaki® Chain and Sprocket system.**



**Chain, Sprocket & System Optimization**

We can find ways to extend the life of your system and achieve optimal throughput and reliability — reducing the total cost of ownership of your material handling and power transmission systems.

.....  
We will analyze:

- System throughput requirements
- Existing design performance
- Historical performance of components
- Loading and cycle calculations



**On-site Chain & Sprocket Installation Support**

Proper installation and assembly are critical to chain and sprocket longevity and reliability. Our field service engineers will be on-site to answer any questions you or your installation team might have.

.....  
Commonly discussed issues include:

- Proper handling of chain and sprockets
- Chain assembly
- Alignment and tensioning
- Lubrication considerations



**Chain Mechanics, Design & Maintenance Training**

Tsubaki's technical training sessions are designed to help educate your employees on basic chain mechanics, practical chain maintenance and installation guidelines. Training sessions can be customized to your needs.

.....  
Training sessions can include:

- Basic procedures, such as installation and alignment
- Interaction, dynamics and wear
- Design and application



**Chain & Sprocket Field Inspections**

Proactive assessment is the best way to minimize downtime and ensure ongoing reliability. Our technical experts use field measurements and visual observations to monitor each chain and sprocket installation.

.....  
Reports typically include:

- Current chain elongation measurements
- Normal and abnormal wear observations
- Sprocket and/or traction wheel conditions
- Basic lubrication observations



**Chain & Sprocket Wear Analysis**

Not all wear is observable through field inspection. At our production and engineering facility in Ohio, our engineers disassemble and thoroughly analyze the wear of each chain component using state-of-the-art equipment.

.....  
Reports typically include:

- Assembly and component level observations
- Sprocket and/or traction wheel wear levels
- Potential upgrade/enhancement considerations



**Chain & Sprocket Performance Tracking**

Tsubaki Advantage, our proprietary chain performance tracking and management system, is a diagnostic resource that actively maintains and organizes the details necessary to make well informed decisions.

.....  
Tsubaki Advantage includes:

- Dynamic chain performance tracking
- Chain life estimator
- Real-time cost savings calculator
- Automatic service and inspection notifications

# Engineering Chain Basics

# Engineering Chain Basics

## THE BASICS OF ENGINEERING CLASS CHAIN STRUCTURE:

### THE THREE FUNDAMENTAL CHAIN DIMENSIONS

The Three Fundamental Chain Dimensions are **PITCH**, **ROLLER DIAMETER** and **INSIDE LINK WIDTH**.

When these dimensions are the same, the chain and the sprockets are compatible. (1 pitch = 1 link).

### PIN

The most important role of the pin is connecting the inside link to the outside link. The pin transmits chain tension along the direction of chain travel while also receiving vertical reaction forces from the conveyed items. The outside diameter of the pin is subject to wear from sliding against the bushing inside diameter as the chain articulates. The pin is an essential strength bearing component and requires high wear resistance.

### BUSHING

The bushing is a strength bearing component that receives tension forces during sprocket engagement, but the main role of the bushing is to act as a bearing component. The outside diameter of the bushing is subject to wear from sliding against the inside diameter of the roller during roller rotation. The inside diameter of the bushing is subject to wear from sliding against the outside diameter of the pin as the chain articulates. Wear in the areas of the bushing inside diameter and pin's outside diameter is expressed as chain elongation.

### ROLLER

The roller forms a slip fit with the bushing. Roller rotation reduces sprocket tooth wear when engaging with the sprocket, while alleviating the shock and wear from the teeth. Roller rotation also lowers chain pull resistance by reducing the sliding friction of a chain.

### SIDEBAR

The sidebar receives the tensile load along the chain's direction of travel and receives vertical reactive forces while supporting the conveyed item.

### ATTACHMENT SIDEBAR

Sidebar sometimes have attachments integral to their design. A wide variety of sidebar attachments are available for the attachment of slats, aprons, fixtures and other customer equipment.

### T-HEAD COTTER

After the outer plate is press-fitted to the pin, a T-head cotter pin is inserted and bent to assure that the pin remains fully engaged with the sidebar.

### PRESS FIT

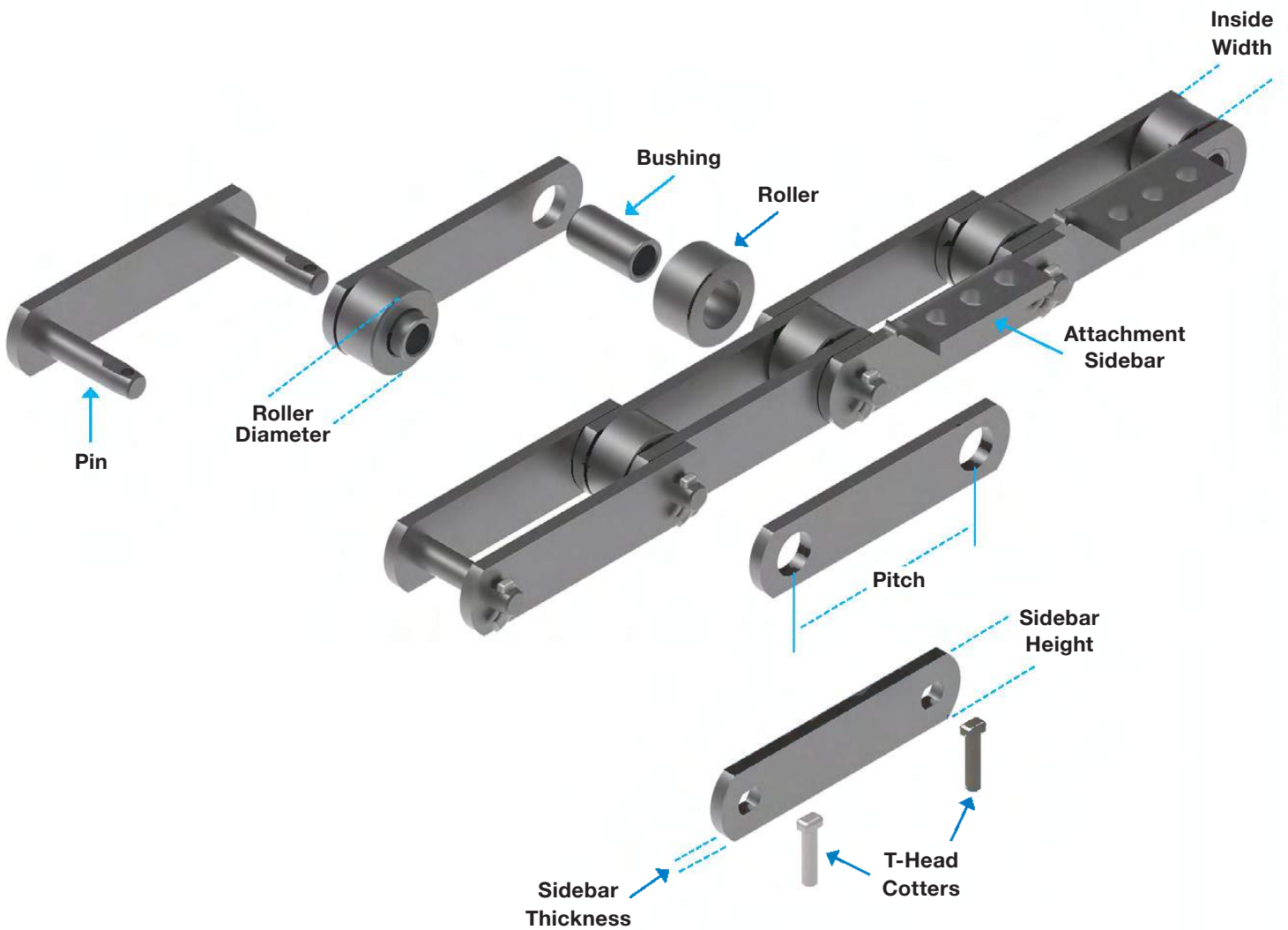
Engineering Class chains are normally built with press fit construction. This means that the pins and sidebars are put together with a tight forced fit. This assures that the pins and bushing rotate about fixed points and the press fits increase fatigue life of the chain.

### SLIP FIT

Some chains are built with slip fit construction. This means that the pins and sidebars are put together with a loose fit. This is occasionally requested when a chain's assembly needs to be made easier for a user.



# Typical Engineering Class Chain Construction



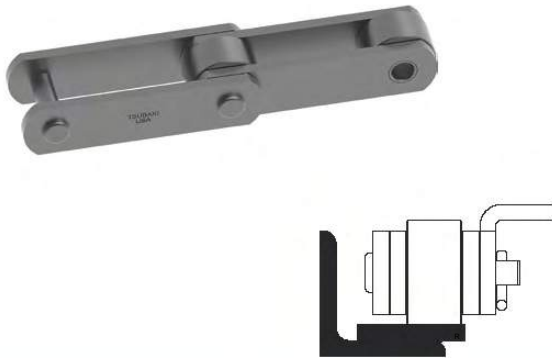
# Standard Engineering Chain Roller Types

*Tsubaki Conveyor Chains utilize several basic roller types.*



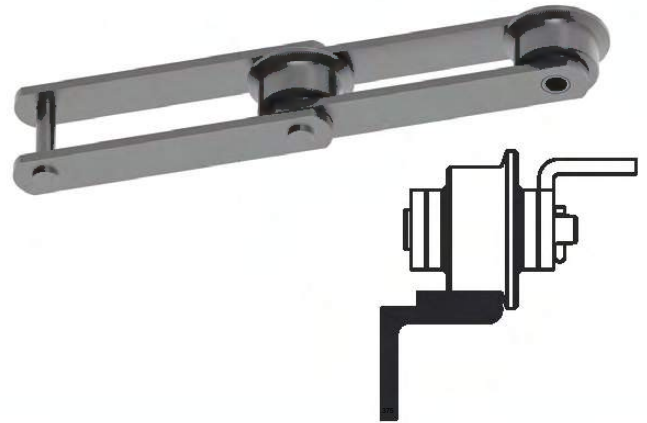
## 1. R Rollers

The R Roller is Tsubaki's most basic and versatile option. It is defined by the outer diameter of the roller being larger than the height of the sideplates. This allows for larger allowable loads and reduces frictional resistance.



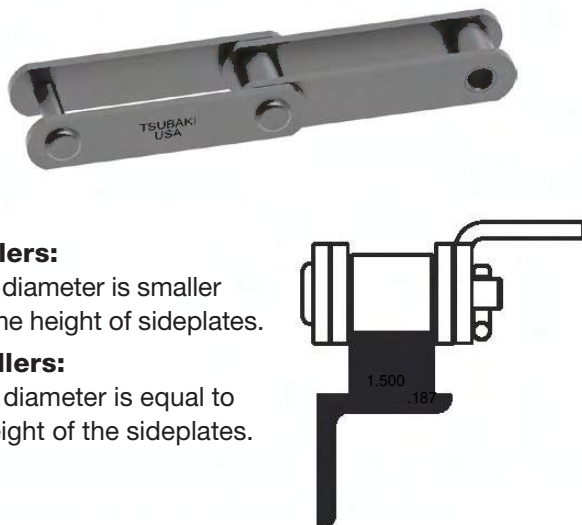
## 2. F Rollers

The F Roller is defined by a large flange on the edge of the roller that functions as a guide. These rollers are ideal for situations in which side oscillation must be controlled. F Rollers are often utilized in more demanding/rougher applications and/or in slat conveyors.



## 3. S and M Rollers

S and M Rollers are smaller (S) or equal (M) in diameter than the height of the sideplates.



### S Rollers:

Roller diameter is smaller than the height of sideplates.

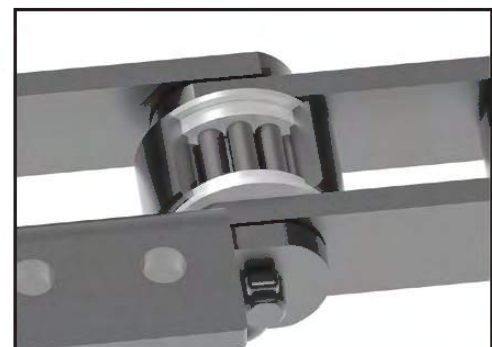
### M Rollers:

Roller diameter is equal to the height of the sideplates.

## 4. Bearing Rollers

Tsubaki's patented bearing roller design incorporates unique cylindrical bearings within the roller itself. This design is extremely useful in applications that are subject to the stick-slip phenomenon. R, F and S Roller designs available.

Contact Tsubaki Engineering for more details.





# Common Chain Attachment Styles



**A**



**A11**



**A22 / A42**



**C**



**D-Extended Pin**



**Ducking Dog**



**G2**



**G5**



**G6**



**G19**



**High Sidebar**



**K**



**MM**



**Outboard Roller**



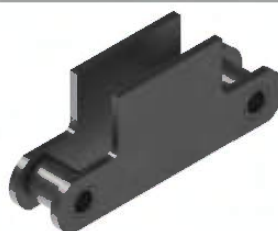
**S1**



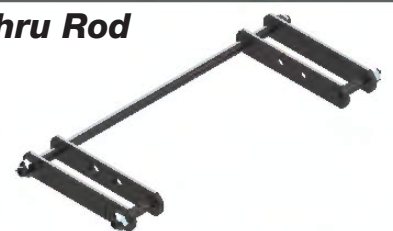
**SA**



**SK**



**Thru Rod**



**Top Plate**



**Top Roller**

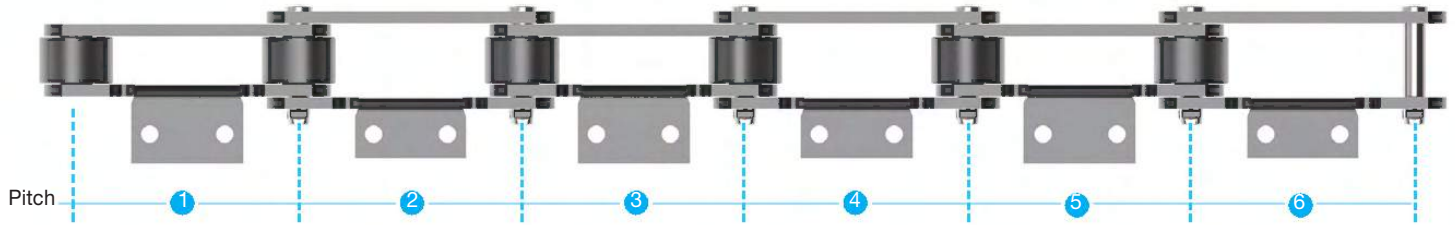


**Wear Bar**

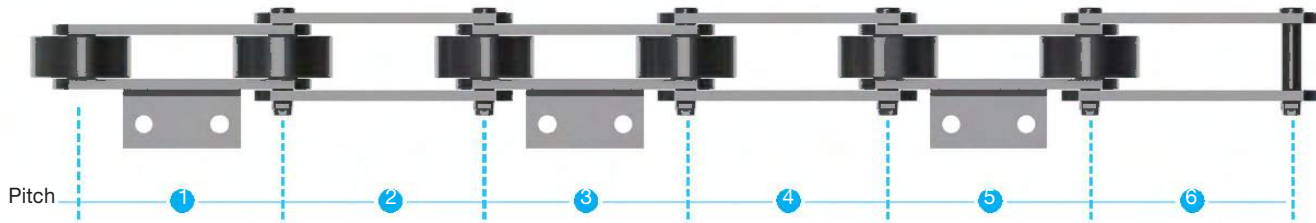


# Attachment Spacing Nomenclature Examples

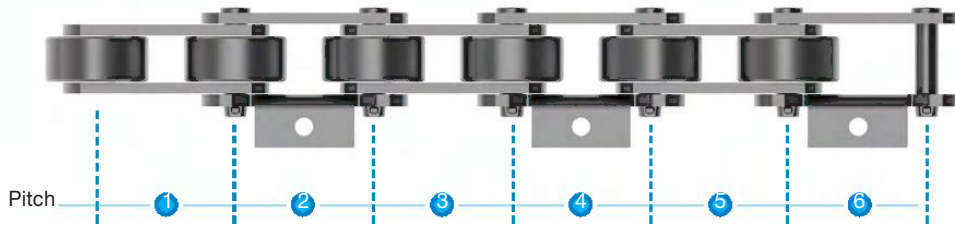
## Attachment on Every Pitch (1L)



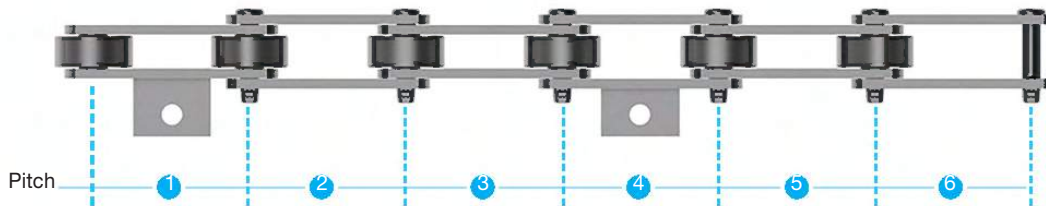
## Even Attachment Spacing on Block Link Pitch (2L)



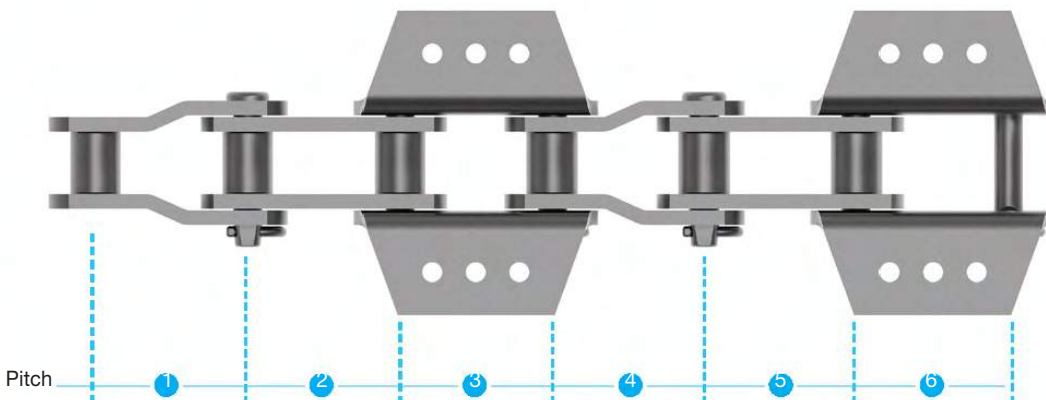
## Even Attachment Spacing on Pin Link Pitch (2L)



## Odd Attachment Spacing on Block Link and Pin Link Pitches (3L)



## Odd Attachment Spacing on Pin Link Pitch, Utilizing Offsets (3L)



# How to Order a Chain

## OPTION 1

Using our part number and the quantity of chain needed, call us at 1-800-323-7790 for a quotation. If you don't have a Tsubaki part number yet, see Option 2.



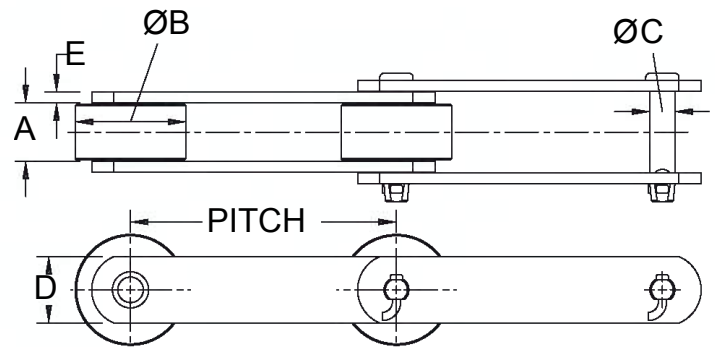
CHAIN PITCH	
INSIDE WIDTH OR ROLLER/BUSHING LINK - <b>A</b>	
ROLLER OR BUSHING DIAMETER - <b>B</b>	
PIN DIAMETER - <b>C</b>	
SIDEBAR HEIGHT - <b>D</b>	
SIDEBAR THICKNESS - <b>E</b>	
ATTACHMENT TYPE/STYLE	
ATTACHMENT SPACING	
QUANTITY OF CHAIN REQUIRED	
COTTERED OR RIVETED CONSTRUCTION	

## OPTION 2

This catalog details our most common chain designs and part numbers; however, it is by no means all-encompassing. A significant number of engineering class chain designs already exist or are newly created as custom Made-to-Order products. Given this, it is important to define or obtain the characteristics listed below prior to contacting us for a quotation. By doing so we will be able to accurately and efficiently identify the chain required and quickly provide a quotation. Once the details below are gathered or partially identified as best possible, please call 1-800-323-7790 to speak with a Tsubaki Engineering Chain Specialist.

## OPTION 3

Not sure which size chain is required for your application? Call 1-800-323-7790 to speak with a Tsubaki Engineering Chain Specialist to discuss the details of your application. They will select an existing chain or design a custom chain tailored to your application.





# Portfolio of Standard Engineering Chains

*Don't see what you need? Call us at 1-800-323-7790 and we will make it!*

# Drive Chains

Tsubaki is proud to offer a market leading portfolio of Engineering Class Drive Chains. This unique and encompassing collection of premium designs has been continuously improved and perfected over the last century. Manufactured in Sandusky, Ohio since 1917, this cornerstone product is widely recognized around the world for its superior quality and workmanship. When it comes to efficient power transfer, Tsubaki Drive Chain is second to none.

## TYPICAL APPLICATIONS

- Mechanical Drives
- Drum Drives
- Draw Bench
- Crawler Crane Drives

## PINS

- Premium alloy steel.
- Heat treated for superior strength and toughness.
  - Core – Through hardened for superior impact resistance.
  - Surface – Induction hardened for extended wear resistance.
- Precision manufactured to maintain high interference fit with sidebars.
  - Prevents pin rotation and subsequent sidebar wear.

## BUSHINGS

- Premium alloy steel.
- Heat treated for superior strength.
  - Surface – Case hardened for ultimate/extended wear resistance.
- Precision manufactured to maintain smooth bearing surfaces and high interference fit with sidebars.
  - Favorable residual stresses resist fatigue and allow for extended life.

## SIDEBARS

- Premium alloy steel.
- Heat treated for superior strength, toughness and fatigue resistance.
- Proprietary manufacturing processes ensure consistent hole quality and precise pitch control.

## ROLLERS

- Premium alloy steel.
- Through hardened for superior strength, toughness and the ability to withstand high shock loads.

## COMMON INDUSTRIES



ASPHALT



MINING



CEMENT



INDUSTRIAL  
MINERALS



OIL & GAS



GENERAL  
MANUFACTURING



FORESTRY,  
PULP, PAPER

# How To Select a Drive Chain

The proper chain can be selected from the working load values given in the chain listings. The working load required can be determined from the following:

## WORKING LOAD

$$\frac{(HP \times SF) \times (396,000 \times (E) \times (V))}{(CP) \times (T) \times (RPM)}$$

## WHERE

**HP** = Actual horsepower required.

(Use motor HP if actual is not known.)

**SF** = Select Service Factor based on Application in Table 2 page 23 and Type of Input Power in Table 1, page 22.

**CP** = Chain Pitch (inches) (Use sprocket HP ratings on pages 26-29 as a guide.)

**T** = Number of teeth in smaller sprocket. (12T are suggested.)

**RPM** = Speed of smaller sprocket.

**E** = Speed factor (from Speed Correction Factors, Table 3, page 24. (A 12T sprocket is suggested.)

**V** = Service factor (Obtain from Service Factors Table 4 on page 24.)

When the Working Load has been determined, select a chain which has a rated working load equal to or greater than the working load value.

## CALCULATE SHAFT CENTERS

Use the following formula to determine the approximate shaft centers in pitches after chain pitch has been determined. Consult Tsubaki Engineering for fixed center drives.

$$C = \frac{L - \frac{N+n}{2} + \sqrt{\left(L - \frac{N+n}{2}\right)^2 - 8 \frac{(N-n)^2}{4 \pi^2}}}{4}$$

## CALCULATE CHAIN LENGTH

To order the proper length of chain, use the following calculation:

$$\text{Chain Length in Pitches} = \frac{S}{2} + 2C + \frac{K}{C}$$

- Add number of teeth in small sprocket and number of teeth in large sprocket to obtain S.
- Subtract number of teeth in small sprocket from number of teeth in large sprocket to obtain value D. Find D in Table 5, and note corresponding value K.
- Divide center distance in inches by pitches of chain, obtaining C.
- Use the values to solve the formula above.

## WHERE

**C** = Shaft center distance in pitches.

**L** = Length of chain in pitches.

**N** = Number of teeth in larger sprocket.

**n** = Number of teeth in smaller sprocket.

**π** = 3.1416

**K** = See Table 5, page 25.

**S = N + n**

A chain cannot contain a fractional part of a pitch. If the chain length obtained contains a fractional part of a pitch, use the next higher whole number.

TABLE 1 - APPLICATION CLASSIFICATIONS

Type of Drive Load	Type of Input Power		
	Internal Combustion Engine with Hydraulic Drive	Electric Motor Turbine	Internal Combustion Engine with Mechanical Drive
Uniform	1.0	1.0	1.2
Moderate Shock	1.2	1.3	1.3
Heavy Shock	1.4	1.5	1.7



TABLE 2 - APPLICATION CLASSIFICATIONS

Application	Load Class <sup>1</sup>	Application	Load Class <sup>1</sup>	Application	Load Class <sup>1</sup>	Application	Load Class <sup>1</sup>
<b>Agitators</b>		<b>Elevators</b>		Tipple Hoist Drive .....	M	Suction Roll .....	U
Pure Liquids .....	U	Bucket - Uniform Load .....	U	Transfer Conveyors .....	M	Washers and Thickeners .....	M
Liquids and Solids .....	M	Bucket - Heavy Load .....	M	Transfer Rolls .....	M	Winders .....	U
Liquid - Variable Density .....	M	Bucket - Cont. Centrifugal Discharge .....	U	Tray Drive .....	M	<b>Printing Presses</b> .....	U
<b>Blowers</b>		Escalators .....	U	Trimmer Feed .....	M	<b>Pullers</b>	
Centrifugal .....	U	Freight .....	M	Waste Conveyor .....	M	Barge Haul .....	H
Lobe .....	M	Gravity Discharge .....	U	<b>Machine Tools</b>		<b>Pumps</b>	
Vane .....	U	Man Lifts .....	H	Bending Roll .....	M	Centrifugal .....	U
<b>Brewing and Distilling</b>		Passenger .....	H	Punch Press - Gear Driven .....	H	Proportioning .....	M
Bottling Machinery .....	U	<b>Fans</b>		Notching Press - Belt Driven .....	H	Reciprocating - Single Acting, Three or more Cylinders .....	M
Brew Kettles - Cont. Duty .....	U	Centrifugal .....	U	Plate Planers .....	H	Reciprocating - Double Acting, Two or more Cylinders .....	M
Cookers - Cont. Duty .....	U	Cooling Towers - Induced Draft .....	U	Tapping Machine .....	H	Reciprocating - Single Acting, One or Two Cylinders .....	M
Mash Tubs - Cont. Duty .....	U	Cooling Towers - Forced Draft .....	U	Other Machine Tools - Main Drives .....	M	Reciprocating - Double Acting, Single Cylinder .....	M
Scale Hopper, Freq. Starts .....	M	Induced Draft .....	M	Other Machine Tools - Auxiliary Drives .....	U	Reciprocating - Rotary - Gear Type .....	U
<b>Can Filling Machines</b> .....	U	Large (Mine, etc.) .....	M	<b>Metal Mills</b>		Rotary - Lobe, Vane .....	U
<b>Cane Knives</b> .....	M	Large (Industrial) .....	M	Draw Bench Carriage and Main Drive .....	M	<b>Rubber and Plastics Industries</b>	
<b>Car Dumpers</b> .....	H	Light (Small Diameter) .....	U	Pinch, Dryer and Scrubber Rolls, Reversing .....	H	Crackers .....	H
<b>Car Pullers</b> .....	M	<b>Feeders</b>		Slitters .....	M	Laboratory Equipment .....	M
<b>Clarifiers</b> .....	U	Apron .....	M	Table Conveyors - Non-Reversing Group Drives .....	M	Mixing Mills .....	H
<b>Classifiers</b> .....	M	Belt .....	M	Table Conveyors - Non-Reversing Individual Drives .....	H	Refiners .....	M
<b>Clay Working Machinery</b>		Disc .....	U	Table Conveyors - Reversing .....	H	Rubber Calendars .....	M
Brick Press .....	H	Reciprocating .....	H	Wire Drawing and Flattening Machine .....	M	Rubber Mill (Two on Line) .....	M
Briquette Machine .....	H	Screw .....	M	Wire Winding Machine .....	M	Rubber Mill (Three on Line) .....	M
Clay Working Machinery .....	M	<b>Food Industry</b>		<b>Mills, Rotary Type</b>		Sheeter .....	M
Pub Mill .....	M	Beet Slicer .....	M	Ball .....	M	Tire Building Machines .....	M
<b>Compressors</b>		Cereal Cooker .....	U	Cement Kilns .....	M	Tire and Tube Press Openers .....	M
Centrifugal .....	U	Dough Mixer .....	M	Dryers and Coolers .....	M	Tubers and Strainers .....	M
Lobe .....	M	Meat Grinders .....	M	Kilns .....	M	Warming Mills .....	M
Reciprocating, Multi-Cyl .....	M	<b>Generators (Not Welding)</b> .....	U	Pebble .....	M	<b>Sand Muller</b> .....	M
Reciprocating, Single-Cyl .....	H	<b>Hammer Mills</b> .....	H	Rod, Plane, Wedge Bar .....	M	<b>Sewage Disposal Equipment</b>	
<b>Conveyors - Uniformly Loaded or Fed</b>		<b>Hoists</b>		Tumbling Barrels .....	H	Bar Screens .....	U
Apron .....	U	Heavy Duty .....	H	<b>Mixers</b>		Chemical Feeders .....	U
Assembly .....	U	Medium Duty .....	M	Concrete Mixers - Cont. .....	M	Collectors .....	U
Belt .....	U	Skip Hoist .....	M	Concrete Mixers - Intermittent .....	M	Dewatering Screws .....	M
Bucket .....	U	<b>Laundry Washers</b>		Constant Density .....	U	Scum Breakers .....	M
Chain .....	U	Reversing .....	M	Variable Density .....	M	Slow or Rapid Mixers .....	M
Flight .....	U	<b>Laundry Tumblers</b> .....	M	<b>Oil Industry</b>		Thickeners .....	M
Oven .....	U	Line Shafts		Chillers .....	M	Vacuum Filters .....	M
Screw .....	U	Driving Processing Equipment .....	M	Oil Well Pumping .....	H	<b>Screens</b>	
<b>Conveyors - Heavy Duty Not Uniformly Fed</b>		Light .....	U	Paraffin Filter Press .....	M	Air Washing .....	U
Apron .....	M	Other Line Shafts .....	U	Rotary Kilns .....	M	Rotary - Stone or Gravel .....	M
Assembly .....	M	<b>Lumber Industry</b>		<b>Paper Mills</b>		Traveling Water Intake .....	U
Belt .....	M	Barkers - Hydraulic, Mechanical .....	M	Agitators (Mixers) .....	M	<b>Slab Pushers</b> .....	M
Bucket .....	M	Burner Conveyor .....	M	Barker - Auxiliaries/Hydraulic .....	M	<b>Steering Gear</b> .....	H
Chain .....	M	Chain Saw and Drag Saw .....	H	Barker - Mechanical .....	M	<b>Stokers</b> .....	U
Flight .....	M	Chain Transfer .....	H	Barking Drum .....	H	<b>Sugar Industry</b>	
Live Roll .....	M	Craneway Transfer .....	H	Beater and Pulper .....	M	Cane Knives .....	M
Oven .....	M	De-barking Drum .....	H	Bleacher .....	U	Crushers .....	M
Reciprocating .....	H	Edger Feed .....	M	Calendars .....	M	Mills .....	H
Screw .....	M	Gang Feed .....	M	Calendars - Super .....	H	<b>Textile Industry</b>	
Shaker .....	H	Green Chain .....	M	Converting Machine, Except Cutters, Platers .....	M	Batchers .....	M
<b>Cranes</b>		Live Rolls .....	H	Conveyors .....	U	Calendars .....	M
Main Hoists .....	U	Log Deck .....	H	Couch .....	M	Cards .....	M
Bridge Travel .....	M	Log Haul - Incline .....	H	Cutters - Platers .....	H	Dry Cans .....	M
Trolley Travel .....	M	Log Haul - Well Type .....	H	Cylinders .....	M	Dryers .....	M
<b>Crusher</b>		Log Turning Device .....	H	Dryers .....	M	Dyeing Machinery .....	M
Ore .....	H	Main Log Conveyor .....	H	Felt Stretcher .....	M	Knitting Machines .....	M
Stone .....	H	Off Bearing Rolls .....	M	Felt Whipper .....	H	Looms .....	M
Sugar .....	M	Planer Feed Chains .....	M	Jordans .....	H	Mangles .....	M
<b>Dredges</b>		Planer Floor Chains .....	M	Log Haul .....	H	Nappers .....	M
Cable Reels .....	M	Planer Tilting Hoist .....	M	Presses .....	U	Padding .....	M
<b>Conveyors</b>		Re-saw Merry-go-round Conveyor .....	M	Pulp Machine Reel .....	M	Range Drives .....	M
Cutter Head Drives .....	H	Roll Cases .....	H	Stock Chests .....	M	Slashers .....	M
Jig Drives .....	H	Slab Conveyor .....	H	<b>'U = Uniform Load; M = Moderate shock H = Heavy shock</b>		Soapers .....	M
Maneuvering Winches .....	M	Small Waste Conveyor - Belt .....	U			Spinners .....	M
Pumps .....	M	Small Waste Conveyor - Chain .....	M			Tenter Frames .....	M
Screen Drive .....	H	Sorting Table .....	M			Washers .....	M
Stackers .....	M	Tipple Hoist Conveyor .....	M			Winders .....	M
Utility Winches .....	M					<b>Windless</b> .....	M
<b>Dry Dock Cranes</b>							
Main Hoist, Auxillary Hoist, Boom (Luffing) .....	U						
Rotating (Swing or Slew) .....	M						
Tracking (Drive Wheels) .....	H						

**TABLE 3 - SPEED CORRECTION FACTORS (E)**

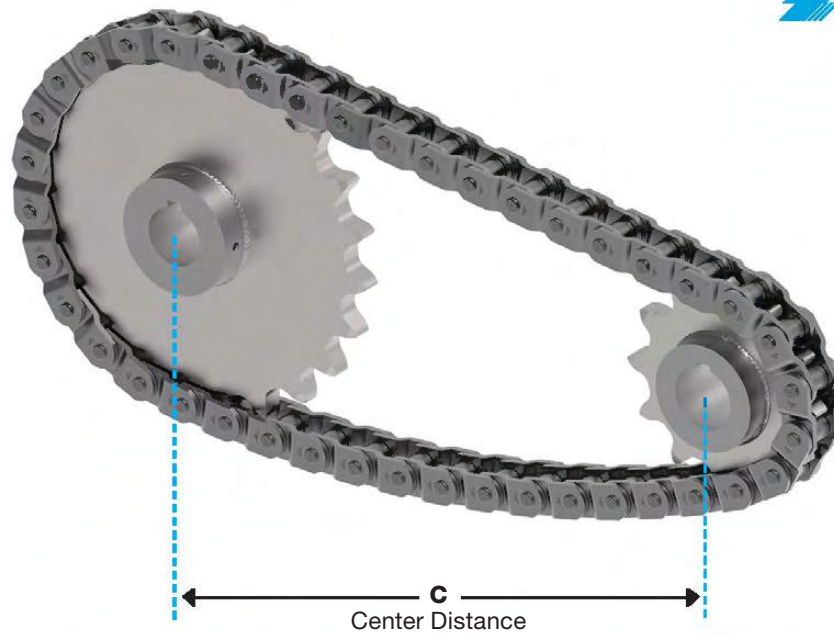
Teeth	Conveyor Speed (ft./min.)														
	10	25	50	75	100	125	150	175	200	225	250	275	300	400	500
6	.92	1.09	1.37	1.68	2.00	2.40	2.91	3.57	4.41	5.65	7.35	10.60	16.70		
7	.86	.97	1.13	1.27	1.44	1.61	1.81	2.04	2.29	2.60	2.96	3.42	3.95	8.62	
8	.81	.91	1.04	1.16	1.26	1.37	1.49	1.63	1.76	1.93	2.10	2.29	2.48	3.62	6.21
9	.79	.87	.98	1.07	1.17	1.26	1.36	1.45	1.55	1.65	1.76	1.88	2.00	2.56	2.94
10	.78	.84	.94	1.02	1.09	1.16	1.24	1.31	1.37	1.45	1.53	1.61	1.68	2.03	2.41
11	.76	.82	.90	.97	1.03	1.09	1.15	1.22	1.28	1.34	1.40	1.46	1.52	1.78	2.05
12	.74	.79	.86	.93	.99	1.05	1.10	1.16	1.21	1.26	1.32	1.37	1.42	1.63	1.84
14	.74	.77	.83	.89	.94	.98	1.02	1.07	1.11	1.15	1.19	1.24	1.28	1.47	1.61
16	.73	.76	.81	.86	.89	.94	.97	1.01	1.05	1.08	1.12	1.16	1.19	1.34	1.48
18	.72	.75	.80	.83	.88	.91	.94	.98	1.01	1.04	1.08	1.11	1.14	1.27	1.40
20	.72	.75	.79	.83	.86	.89	.92	.95	.98	1.01	1.04	1.07	1.10	1.22	1.34
24	.71	.74	.77	.80	.82	.85	.88	.90	.94	.96	.98	1.01	1.04	1.15	1.26

**TABLE 4 - SERVICE FACTORS (V)** (See example below table)

Frequency of Shock	Character of Conveyor Loading	Conditions of Operation	Daily Operating Period
Infrequent (1)	Uniform or Steady (1)	Relatively clean and moderate room temperature (1)	8-10 hours (1) <sup>1</sup>
	Moderate Shock (1.2) <sup>1</sup>	Moderately dusty (1.2)	
Frequent (1.2) <sup>1</sup>	Heavy Shock (1.5)	Unprotected from weather, dirty corrosive conditions or unusual temperatures within permissible operating range (1.4) <sup>1</sup>	24 Hours (1.2)

<sup>1</sup>Example V = 1.2 x 1.2 x 1.4 x 1.0 = 2.02





**TABLE 5 - K VALUES<sup>1</sup>**

D	K	D	K	D	K	D	K	D	K	D	K
1	.03	32	25.94	63	100.54	94	223.82	125	395.79	156	616.44
2	.10	33	27.58	64	103.75	95	228.61	126	402.14	157	624.37
3	.23	34	29.28	65	107.02	96	233.44	127	408.55	158	632.35
4	.41	35	31.03	66	110.34	97	238.33	128	415.01	159	640.38
5	.63	36	32.83	67	113.71	98	243.27	129	421.52	160	648.46
6	.91	37	34.68	68	117.13	99	248.26	130	428.08	161	656.59
7	1.24	38	36.58	69	120.60	100	253.30	131	434.69	162	664.77
8	1.62	39	38.53	70	124.12	101	258.39	132	441.36	163	673.00
9	2.05	40	40.53	71	127.69	102	263.54	133	448.07	164	681.28
10	2.53	41	42.58	72	131.31	103	268.73	134	454.83	165	689.62
11	3.06	42	44.68	73	134.99	104	273.97	135	461.64	166	698.00
12	3.65	43	46.84	74	138.71	105	279.27	136	468.51	167	706.44
13	4.28	44	49.04	75	142.48	106	284.67	137	475.42	168	714.92
14	4.96	45	51.29	76	146.31	107	290.01	138	482.39	169	723.46
15	5.70	46	53.60	77	150.18	108	295.45	139	489.41	170	732.05
16	6.48	47	55.95	78	154.11	109	300.95	140	496.47	171	740.68
17	7.32	48	58.36	79	158.09	110	306.50	141	503.59	172	749.37
18	8.21	49	60.82	80	162.11	111	312.09	142	510.76	173	758.11
19	9.14	50	63.33	81	166.19	112	317.74	143	517.98	174	766.90
20	10.13	51	65.88	82	170.32	113	323.44	144	525.25	175	775.74
21	11.17	52	68.49	83	174.50	114	329.19	145	532.57	176	784.63
22	12.26	53	71.15	84	178.73	115	334.99	146	539.94	177	793.57
23	13.40	54	73.86	85	183.01	116	340.84	147	547.36	178	802.57
24	14.59	55	76.62	86	187.34	117	346.75	148	554.83	179	811.61
25	15.83	56	79.44	87	191.73	118	352.70	149	562.36	180	820.70
26	17.12	57	82.30	88	196.16	119	358.70	150	569.93	181	829.85
27	18.47	58	85.21	89	200.64	120	364.76	151	577.56	182	839.04
28	19.86	59	88.17	90	205.18	121	370.86	152	585.23	183	848.29
29	21.30	60	91.19	91	209.76	122	377.02	153	592.96	184	857.58
30	22.80	61	94.25	92	214.40	123	383.22	154	600.73	185	866.93
31	24.34	62	97.37	93	219.08	124	389.48	155	608.56		

<sup>1</sup>Used to calculate chain length.

# 64S STRAIGHT SIDEBAR CHAIN

2.500" PITCH

64S CHAIN - STRAIGHT SIDEBAR CHAIN														
Teeth	Horsepower Capacity RPM													
	2	3	7	10	20	30	40	100	200	250	350	450	600	
9	1.1	1.4	2.7	3.9	7.7	11.6	15.4	38.6	77.2	96.5	135.1	100.1	65.0	
10	1.1	1.5	3.0	4.3	8.6	12.9	17.2	42.9	85.8	107.3	150.2	117.2	76.1	
11	1.2	1.7	3.3	4.7	9.4	14.2	18.9	47.2	94.4	118.0	165.2	135.2	87.8	
12	1.3	1.8	3.6	5.1	10.3	15.4	20.6	51.5	103.0	128.7	180.2	154.1	100.1	
13	1.4	1.9	3.9	5.6	11.2	16.7	22.3	55.8	111.5	139.4	195.2	173.7	112.8	
14	1.5	2.0	4.2	6.0	12.0	18.0	24.0	60.1	120.1	150.2	210.2	194.2	126.1	
15	1.5	2.1	4.5	6.4	12.9	19.3	25.7	64.4	128.7	160.9	225.2	215.3	139.9	
16	1.6	2.2	4.8	6.9	13.7	20.6	27.5	68.6	137.3	171.6	240.3	237.2	154.1	
17	1.7	2.3	5.1	7.3	14.6	21.9	29.2	72.9	145.9	182.3	255.3	259.8	168.8	
18	1.8	2.4	5.4	7.7	15.4	23.2	30.9	77.2	154.5	193.1	270.3	283.1	183.9	
19	1.9	2.5	5.7	8.2	16.3	24.5	32.6	81.5	163.0	203.8	285.3	307.0	-	
20	1.9	2.6	6.0	8.6	17.2	25.7	34.3	85.8	171.6	214.5	300.3	331.5	-	
21	2.0	2.7	6.3	9.0	18.0	27.0	36.0	90.1	180.2	225.2	315.3	356.7	-	
22	2.1	2.8	6.6	9.4	18.9	28.3	37.8	94.4	188.8	236.0	330.4	382.5	-	
23	2.1	3.0	6.9	9.9	19.7	29.6	39.5	98.7	197.4	246.7	345.4	405.3	-	
24	2.2	3.1	7.2	10.3	20.6	30.9	41.2	103.0	205.9	257.4	360.4	414.4	-	
	Manual Lubrication						Oil Bath			Oil Stream Lubrication				

# 3011 OFFSET SIDEBAR CHAIN

3.067" PITCH

3011 CHAIN - OFFSET SIDEBAR CHAIN														
Teeth	Horsepower Capacity RPM													
	1	3	6	10	20	40	100	150	200	250	300	350	400	
9	1.0	2.4	4.0	6.4	12.7	25.5	63.7	95.6	127.4	159.3	191.1	171.8	140.6	
10	1.1	2.6	4.3	7.1	14.2	28.3	70.8	106.2	141.6	177.0	212.4	198.9	164.7	
11	1.2	2.7	4.7	7.8	15.6	31.1	77.9	116.8	155.7	194.7	231.3	215.5	190.0	
12	1.3	2.9	5.1	8.5	17.0	34.0	85.0	127.4	169.9	212.4	248.6	231.5	216.5	
13	1.4	3.1	5.5	9.2	18.4	36.8	92.0	138.0	184.1	230.1	265.3	247.0	232.3	
14	1.4	3.3	5.9	9.9	19.8	39.6	99.1	148.7	198.2	247.8	281.4	262.1	246.4	
15	1.5	3.5	6.4	10.6	21.2	42.5	106.2	159.3	212.4	265.5	296.9	276.6	260.0	
16	1.6	3.7	6.8	11.3	22.7	45.3	113.3	169.9	226.5	283.2	312.0	290.6	273.2	
17	1.7	3.8	7.2	12.0	24.1	48.1	120.3	180.5	240.7	300.9	326.5	304.1	285.9	
18	1.7	4.0	7.6	12.7	25.5	51.0	127.4	191.1	245.9	318.6	340.5	317.1	-	
19	1.8	4.2	8.1	13.5	26.9	53.8	134.5	201.8	269.0	336.3	354.0	329.7	-	
20	1.9	4.3	8.5	14.2	28.3	56.6	141.6	212.4	283.2	354.0	367.1	341.9	-	
21	1.9	4.5	8.9	14.9	29.7	59.5	148.7	233.0	297.3	371.7	379.6	353.6	-	
22	2.0	4.7	9.3	15.6	31.1	62.3	155.7	233.6	311.5	389.4	391.7	364.8	-	
23	2.1	4.9	9.8	16.3	32.6	65.1	162.8	244.2	325.6	407.1	403.4	375.7	-	
24	2.2	5.1	10.2	17.0	34.0	68.0	169.9	254.9	339.8	424.8	414.6	386.1	-	
	Manual Lubrication						Oil Bath			Oil Stream Lubrication				

For continuous operation in the highlighted area, some galling of the live bearing surfaces of the chain joints maybe expected even though lubrication is as suggested. The ratings shown on these charts are based on chain which operates over machine cut tooth sprockets.

# 3514 OFFSET SIDEBAR CHAIN

3.500" PITCH

3514 CHAIN - OFFSET SIDEBAR CHAIN														
Teeth	Horsepower Capacity RPM													
	1	3	6	10	20	35	80	100	125	150	200	250	300	
9	1.4	3.3	5.5	8.8	17.6	30.8	52.8	88.1	110.1	132.1	176.1	178.7	170.8	
10	1.5	3.5	6.0	9.8	19.6	34.2	58.7	97.8	122.3	146.8	195.7	196.1	187.4	
11	1.6	3.8	6.5	10.8	21.5	37.7	64.6	107.6	134.5	161.4	215.2	213.0	203.6	
12	1.8	4.1	7.0	11.7	23.5	41.1	70.4	117.4	146.8	176.1	234.8	229.5	219.4	
13	1.9	4.3	7.6	12.7	25.4	44.5	76.3	127.2	159.0	190.8	254.4	245.6	234.7	
14	2.0	4.6	8.2	13.7	27.4	47.9	82.2	137.0	171.2	205.5	273.9	261.2	249.6	
15	2.1	4.8	8.8	14.7	29.4	51.4	88.1	146.8	183.4	220.1	292.1	276.3	264.1	
16	2.2	5.1	9.4	15.7	31.3	54.8	93.9	156.5	195.7	234.8	307.7	291.1	278.2	
17	2.3	5.3	10.0	16.6	33.3	58.2	99.8	166.3	207.9	249.5	322.8	305.5	-	
18	2.4	5.5	10.6	17.6	35.2	61.6	105.7	176.1	220.1	264.2	337.6	319.4	-	
19	2.5	5.8	11.2	18.6	37.2	65.1	111.5	185.9	232.4	278.8	351.9	333.0	-	
20	2.6	6.0	11.7	19.6	39.1	68.5	117.4	195.7	244.6	293.5	365.8	346.1	-	
21	2.7	6.2	12.3	20.5	41.1	71.9	123.3	205.5	256.8	308.2	379.3	358.9	-	
	Manual Lubrication						Oil Bath				Oil Stream Lubrication			

# 1245 OFFSET SIDEBAR CHAIN

4.073" PITCH

1245 CHAIN - OFFSET SIDEBAR CHAIN														
Teeth	Horsepower Capacity RPM													
	1	3	6	10	20	30	40	65	80	100	125	150	200	
9	2.0	4.7	8.0	12.8	25.5	38.3	51.1	83.0	102.1	127.7	159.6	168.2	166.3	
10	2.2	5.1	8.7	14.2	28.4	42.6	56.7	92.2	113.5	141.8	177.3	185.0	182.9	
11	2.4	5.5	9.4	15.6	31.2	46.8	62.4	101.4	124.8	156.0	195.0	201.5	199.2	
12	2.5	5.9	10.2	17.0	34.0	51.1	68.1	110.6	136.2	170.2	212.8	217.6	215.1	
13	2.7	6.3	11.1	18.4	36.9	55.3	73.8	119.9	147.5	184.4	230.5	233.4	230.7	
14	2.9	6.6	11.9	19.9	39.7	59.6	79.4	129.1	158.9	198.6	248.2	248.8	246.0	
15	3.0	7.0	12.8	21.3	42.6	63.8	85.1	138.3	170.2	212.8	265.9	263.9	261.0	
16	3.2	7.3	13.6	22.7	45.4	68.1	90.8	147.5	181.6	227.0	280.7	278.7	275.6	
17	3.3	7.7	14.5	24.1	48.2	72.3	96.5	156.7	192.9	241.1	295.3	293.2	289.9	
18	3.5	8.0	15.3	25.5	51.1	76.6	102.1	166.0	204.3	255.3	309.6	307.3	303.9	
19	3.6	8.4	16.2	27.0	53.9	80.9	107.8	175.2	215.6	269.5	323.5	321.2	317.6	
20	3.8	8.7	17.0	28.4	56.7	85.1	113.5	184.4	227.0	283.7	337.1	334.7	-	
21	3.9	9.0	17.9	29.8	59.6	89.4	119.2	193.6	238.3	297.9	350.5	347.9	-	
	Manual Lubrication						Oil Bath				Oil Stream Lubrication			

For continuous operation in the highlighted area, some galling of the live bearing surfaces of the chain joints may be expected even though lubrication is as suggested. The ratings shown on these charts are based on chain which operates over machine cut tooth sprockets.



# 4522 OFFSET SIDEBAR CHAIN

4.500" PITCH

4522 CHAIN - OFFSET SIDEBAR CHAIN														
Teeth	Horsepower Capacity RPM													
	1	3	6	10	20	30	35	50	65	80	100	125	150	
9	2.6	6.0	10.2	16.3	32.6	48.9	57.0	81.5	105.9	130.4	153.8	156.6	158.8	
10	2.8	6.5	11.1	18.1	36.2	54.3	63.4	90.5	117.7	144.9	169.5	172.5	175.0	
11	3.0	7.0	12.0	19.9	39.8	59.8	69.7	99.6	129.5	159.4	184.8	188.1	190.8	
12	3.3	7.5	13.0	21.7	43.5	65.2	76.1	108.7	141.3	173.9	199.8	203.4	206.3	
13	3.5	8.0	14.1	23.5	47.1	70.6	82.4	117.7	153.0	188.3	214.6	218.4	221.6	
14	3.7	8.5	15.2	25.4	50.7	76.1	88.7	126.8	164.8	202.8	229.1	233.2	236.6	
15	3.9	8.9	16.3	27.2	54.3	81.5	95.1	135.8	176.6	217.3	243.4	247.7	251.3	
16	4.1	9.4	17.4	29.0	58.0	86.9	101.4	144.9	188.3	231.8	257.4	261.9	265.7	
17	4.2	9.8	18.5	30.8	61.6	92.4	107.8	153.9	200.1	246.3	271.1	275.9	279.9	
18	4.4	10.2	19.6	32.6	65.2	97.8	114.1	163.0	211.9	260.8	284.6	289.6	293.8	
19	4.6	10.7	20.6	34.4	68.8	103.2	120.4	172.0	223.7	275.3	297.8	303.1	307.5	
20	4.8	11.1	21.7	36.2	72.4	108.7	126.8	181.1	235.4	289.8	310.7	316.3	320.9	
21	5.0	11.5	22.8	38.0	76.1	114.1	133.1	190.1	247.2	304.2	323.5	329.2	334.0	
	Manual Lubrication						Oil Bath				Oil Stream Lubrication			

# 5031 OFFSET SIDEBAR CHAIN

5.000" PITCH

5031 CHAIN - OFFSET SIDEBAR CHAIN														
Teeth	Horsepower Capacity RPM													
	.5	1	3	6	10	20	30	35	50	65	80	100	125	
9	2.0	3.4	7.8	13.3	21.1	42.2	63.3	73.8	105.5	133.9	139.3	145.3	151.6	
10	2.2	3.7	8.5	14.4	23.4	46.9	70.3	82.0	117.2	147.6	153.6	160.2	-	
11	2.3	3.9	9.1	15.5	25.8	51.6	77.4	90.3	128.9	161.2	167.7	174.9	-	
12	2.5	4.2	9.7	16.9	28.1	56.3	84.4	98.5	140.7	174.5	181.6	189.4	-	
13	2.6	4.5	10.3	18.3	30.5	61.0	91.4	106.7	152.4	187.7	195.2	203.7	-	
14	2.8	4.7	10.9	19.7	32.8	65.6	98.5	114.9	164.1	200.6	208.7	217.7	-	
15	2.9	5.0	11.5	21.1	35.2	70.3	105.5	123.1	175.8	213.4	222.0	231.6	-	
16	3.1	5.2	12.1	22.5	37.5	75.0	112.5	131.3	187.5	225.9	235.0	245.2	-	
17	3.2	5.5	12.7	23.9	39.9	79.7	119.6	139.5	199.3	238.2	247.8	258.6	-	
18	3.4	5.7	13.3	25.3	42.2	84.4	126.6	147.7	211.0	250.4	260.5	271.7	-	
	Manual Lubrication						Oil Bath				Oil Stream Lubrication			

For continuous operation in the highlighted area, some galling of the live bearing surfaces of the chain joints maybe expected even though lubrication is as suggested. The ratings shown on these charts are based on chain which operates over machine cut tooth sprockets.



# 6042 OFFSET SIDEBAR CHAIN

6.000" PITCH

6042 CHAIN - OFFSET SIDEBAR CHAIN													
Teeth	Horsepower Capacity RPM												
	.5	1	3	6	10	20	30	35	40	45	50	60	70
9	3.1	5.3	12.2	20.7	33.0	66.0	96.1	101.5	106.3	110.8	115.0	122.6	129.0
10	3.4	5.7	13.2	22.4	36.6	73.3	106.2	112.1	117.5	122.5	127.1	135.5	-
11	3.6	6.2	14.2	24.2	40.3	80.6	116.1	122.6	128.5	133.9	139.0	148.2	-
12	3.9	6.6	15.2	26.4	44.0	87.9	126.0	133.0	139.4	145.3	150.8	160.8	-
13	4.1	7.0	16.2	28.6	47.6	95.3	135.7	143.2	150.1	156.5	162.4	173.2	-
14	4.4	7.4	17.1	30.8	51.3	102.6	145.3	153.4	160.8	167.6	173.9	185.4	-
15	4.6	7.8	18.0	33.0	55.0	109.9	154.8	163.4	171.3	178.5	185.3	197.5	-
16	4.8	8.2	18.9	35.2	58.6	177.3	164.2	173.3	181.6	189.3	196.5	209.5	-
17	5.1	8.6	19.8	37.4	62.3	124.6	173.4	183.1	191.9	200.0	207.6	221.3	-
18	5.3	9.0	20.7	39.6	66.0	131.9	182.6	192.7	202.0	210.6	218.5	233.0	-
Manual Lubrication										Oil Bath			Oil Stream Lubrication

# 7080 OFFSET SIDEBAR CHAIN

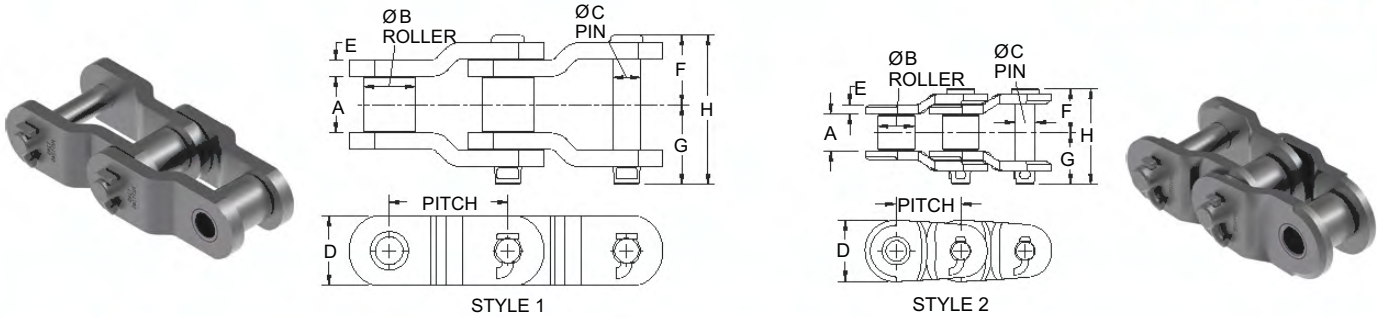
7.000" PITCH

7080 CHAIN - OFFSET SIDEBAR CHAIN													
Teeth	Horsepower Capacity RPM												
	.1	.5	1	2	4	6	10	15	20	25	30	35	40
9	1.3	4.6	7.7	13.1	22.2	30.2	48.1	67.1	76.7	85.0	92.5	99.4	105.7
10	1.4	4.9	8.4	14.2	24.0	32.7	53.5	74.2	84.8	94.0	102.3	109.9	-
11	1.6	5.3	9.0	15.2	25.9	35.3	58.8	81.2	92.8	103.0	112.0	120.3	-
12	1.7	5.7	9.6	16.3	27.6	38.5	64.2	88.2	100.8	111.8	121.7	130.7	-
13	1.8	6.0	10.2	17.3	29.4	41.7	69.5	95.1	108.7	120.6	131.2	140.9	-
14	1.9	6.4	10.8	18.3	31.1	44.9	74.8	102.0	116.5	129.2	140.6	151.1	-
15	2.0	6.7	11.4	19.3	32.7	48.1	80.2	108.8	124.3	137.8	150.0	161.1	-
16	2.1	7.1	12.0	20.3	34.4	51.3	85.5	115.5	132.0	146.4	159.3	171.1	-
17	2.2	7.4	12.5	21.2	36.4	54.5	90.9	122.2	139.6	154.8	168.5	180.9	-
18	2.3	7.7	13.1	22.2	38.5	57.7	96.2	128.8	147.1	163.2	177.5	190.7	-
Manual Lubrication													

For continuous operation in the highlighted area, some galling of the live bearing surfaces of the chain joints may be expected even though lubrication is as suggested. The ratings shown on these charts are based on chain which operates over machine cut tooth sprockets.

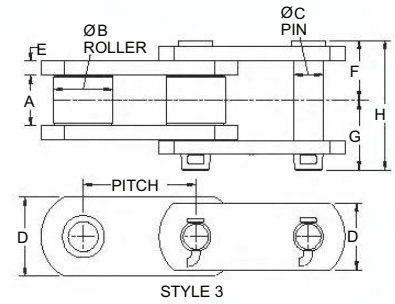
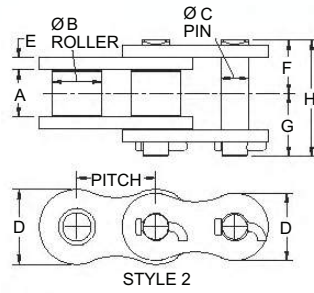
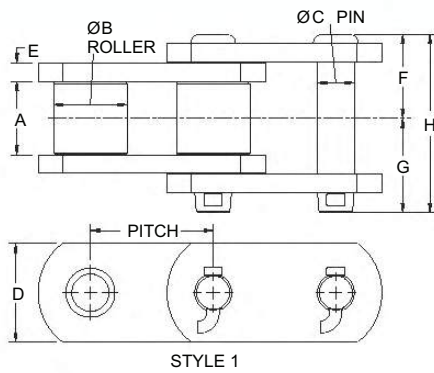


# Drive Chain - Offset Sidebar



Chain Number	Alternate Part Number	Tsubaki Part Number	Sidebar Style	Pitch	Weight per Pitch (lbs.)	Maximum Continuous Strand Length Available (Pitches)	Dimensions								AUS (lbs.)	Max Working Load (lbs.)
							Inside Width	Roller Diameter	Pin Diameter	Sidebar Height	Sidebar Thickness	Pin Head to CL	Pin End to CL	Overall Width		
							A	B	C	D	E	F	G	H		
	R03140	23183	2	1.750	.90	622	1.00	1.00	0.55	1.66	0.25	1.19	1.41	2.59	60,000	2,900
US2065	R01613AK	25461	1	2.000	1.3	556	1.27	1.13	0.59	1.63	0.31	1.44	1.69	3.13	70,000	3,900
	R03180	23701	2	2.250	1.8	385	1.44	1.41	0.69	2.09	0.28	1.47	1.74	3.21	86,000	4,800
	R025H	25490	1	2.500	2.0	445	1.50	1.25	0.65	1.63	0.38	1.72	1.95	3.67	84,000	5,100
	R01625	23697	2	2.500	2.7	305	1.53	1.56	0.78	2.37	0.31	1.60	1.91	3.51	96,000	5,900
520RX	-	1284	1	2.563	1.0	564	1.06	1.13	0.50	1.25	0.25	1.22	1.44	2.66	31,000	2,700
US882	R0588	11067	1	2.609	.80	616	1.13	0.88	0.44	1.13	0.25	1.20	1.42	2.63	30,000	2,500
1184RX	-	14662	1	2.640	1.1	456	1.06	1.13	0.50	1.50	0.25	1.22	1.44	2.63	40,000	2,700
US3011	R0568N	17219	1	3.067	3.3	262	1.56	1.63	0.75	2.25	0.38	1.75	2.13	3.88	116,000	6,100
US1030	-	1240	1	3.075	1.7	392	1.50	1.25	0.63	1.50	0.31	1.56	1.85	3.41	31,000	4,650
US1031	R03	11037	1	3.075	1.7	392	1.50	1.25	0.63	1.50	0.31	1.56	1.84	3.41	59,000	4,650
US3075	R03H	16398	1	3.075	2.4	336	1.50	1.25	0.65	1.75	0.38	1.72	1.95	3.67	78,000	5,100
-	R03125	23569	1	3.125	3.4	257	1.56	1.62	0.88	2.25	0.38	1.75	2.12	3.87	127,000	7,100
-	R03125H	23233	1	3.125	4.2	257	1.63	1.63	0.88	2.25	0.50	2.09	2.44	4.53	153,000	8,000
US3514	R01616	10954	1	3.500	4.8	229	1.50	1.75	0.88	2.25	0.50	2.03	2.38	4.41	158,000	7,700
-	R01338	23816	1	3.625	6.2	210	1.67	2.13	0.94	2.38	0.56	2.25	2.63	4.88	181,000	9,200
-	R01644A	23157	1	3.750	5.7	203	1.50	1.75	0.94	2.38	0.56	2.17	2.54	4.71	181,000	8,600
-	R03924T	23696	1	3.906	9.1	137	1.51	2.25	1.19	3.38	0.56	2.16	2.60	4.76	279,000	11,000
-	R01664A	23155	1	4.000	9.6	134	2.20	2.25	1.19	3.38	0.56	2.52	2.93	5.45	269,000	14,000
-	R05	23704	1	4.063	5.1	197	1.52	1.75	0.88	2.25	0.50	2.04	2.37	4.41	152,000	7,700
US1241	-	2513	1	4.063	5.5	197	1.94	1.75	0.88	2.25	0.50	2.25	2.59	4.81	139,000	9,000
US1242	R04	11068	1	4.063	5.4	197	1.94	1.75	0.88	2.25	0.50	2.25	2.56	4.81	158,000	9,000
-	R04HF	23162	1	4.063	6.9	187	1.94	1.75	0.94	2.38	0.63	2.52	2.89	5.40	181,000	10,500
US1245	R01245	10523	1	4.073	6.4	187	1.94	1.78	0.94	2.38	0.56	2.39	2.37	5.13	181,000	10,000
US4121	R01343	25534	1	4.090	7.6	160	1.94	1.88	1.10	2.75	0.56	2.39	2.76	5.15	235,000	11,700
US4122	R01345	25535	1	4.090	7.8	160	1.94	2.00	1.10	2.75	0.56	2.39	2.76	5.15	235,000	11,700
US4522	R0635	11039	1	4.500	9.9	105	2.06	2.25	1.10	3.00	0.56	2.45	2.86	5.31	249,000	12,300
-	R01634A	23694	1	5.000	10.8	120	2.31	2.50	1.13	3.00	0.56	2.56	3.00	5.56	236,000	13,500
US5031	R01602AA	11634	1	5.000	14.0	103	2.75	2.50	1.25	3.50	0.63	2.92	3.36	6.28	321,000	17,500
US5035	-	17443	1	5.000	15.8	103	2.56	2.50	1.38	3.50	0.75	3.08	3.51	6.59	350,000	19,500
-	R01605AK	25367	1	5.000	16.3	103	2.75	2.50	1.37	3.50	0.75	3.17	3.58	6.75	389,000	20,500
US5542	-	17289	1	5.500	21.9	82	3.00	3.00	1.50	4.00	0.75	3.40	3.85	7.25	440,000	23,600
US5738	-	18321	1	5.750	21.0	78	3.00	3.00	1.50	4.00	0.69	3.28	3.72	7.00	402,000	23,000
US6042	R06042	10809	1	6.000	22.6	75	3.00	3.00	1.50	4.00	0.75	3.41	3.84	7.25	451,000	23,600
US6066	-	19226	1	6.000	28.0	63	3.00	N/A	1.75	4.75	0.75	3.55	3.83	7.38	516,000	27,600
-	R01626A	23926	1	6.000	23.4	75	2.31	3.25	1.50	4.00	0.75	3.06	3.50	6.56	451,000	20,000

# Drive Chain - Straight Sidebar



Chain Number	Tsubaki Part Number	Sidebar Style	Pitch	Weight per Pitch (lbs.)	Maximum Continuous Strand Length Available (Pitches)	Dimensions								AUS (lbs.)	Max Working Load (lbs.)
						Inside Width	Roller Diameter	Pin Diameter	Sidebar Height	Sidebar Thickness	Pin Head to CL	Pin End to CL	Overall Width		
						A	B	C	D	E	F	G	H		
US64S	8356	2	2.500	2.8	304	1.50	1.56	0.88	2.12/2.37	0.38	1.69	2.00	3.69	122,000	6,900
344SXX	11808	1	3.000	5.4	253	1.94	1.78	0.94	2.38	0.56	2.38	2.75	5.13	181,500	10,000
US4031	14139	1	4.000	12.7	129	2.75	2.50	1.25	3.50	0.63	2.91	3.36	6.28	321,000	17,500
US1353	21400	3	4.090	11.8	147	2.25	2.63	1.31	3.00/3.50	0.63	2.66	3.09	5.75	305,500	16,000
US5021	22874	3	5.000	12.9	103	2.25	2.63	1.31	3.00/3.50	0.63	2.66	3.09	5.75	276,000	16,000
US5042	13423	1	5.000	20.8	90	3.00	3.00	1.50	4.00	0.75	3.41	3.84	7.25	440,000	23,600
US6566	19711	1	6.500	42.9	46	3.25	3.50	1.75	6.00	0.88	3.95	4.23	8.19	572,000	30,600
US6065	24853	3	6.500	45.0	44	3.25	3.75	1.75	5.00/6.00	0.88	3.95	4.23	8.19	572,300	30,600
US6550	24531	1	6.500	31.9	56	3.50	3.50	2.01	5.00	.63/.75	3.47	3.97	7.44	474,000	35,000
US7080	17496	1	7.000	50.8	39	3.25	4.50	2.13	6.00	0.88	3.81	4.19	8.00	753,500	37,300



# Roller Conveyor Chains

Tsubaki's Roller Conveyor Chain represents the most common and universal class of chain. Tsubaki is proud to offer a premium, well diversified portfolio designed and built in Sandusky, Ohio.



## TYPICAL APPLICATIONS

- Conveyors
- Elevators
- Power Transmission
- Unit/Material Transfer
- Assembly Conveyors

## PINS

- Alloy or premium grade carbon steel.
- Heat treated for superior strength and toughness.
  - Core – Through hardened for superior impact resistance.
  - Surface – Induction hardened for extended wear resistance.
- Precision manufactured to maintain high interference fit with sidebars.
  - Prevents pin rotation and subsequent sidebar wear.

## BUSHINGS

- Alloy or premium grade carbon steel.
- Heat treated for superior strength.
  - Core – Through hardened for toughness and impact.
  - Surface – Case hardened for the ultimate in extended wear resistance.
- Precision machined to maintain smooth bearing surfaces and high interference fit with sidebars.
  - Favorable residual stresses resist fatigue and promote extended life.

## SIDEBARS

- Premium carbon steel.
- Optional heat treated sidebars available.
- High quality hole finish increases fatigue resistance.
  - Favorable residual stresses resist fatigue and allow for extended life.

## ROLLERS

- Alloy or premium grade carbon steel.
- Through hardened for superior strength, toughness and the ability to withstand high shock loads.

## COMMON INDUSTRIES



AUTOMOTIVE



FOOD



METALS



GENERAL  
MANUFACTURING



SUGAR

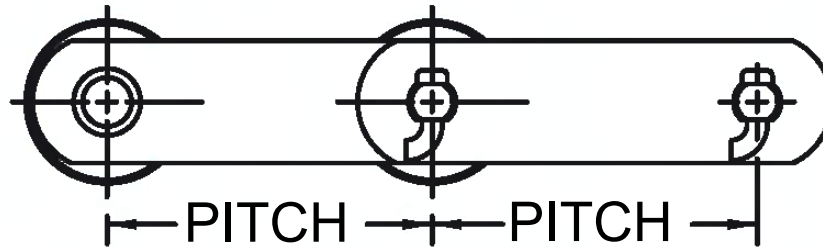


ESCALATOR

Don't see what you need? Call us at 1-800-323-7790 and we will make it!



# Roller Conveyor Chain Index



**Pitch = 1.654" to 5.000"**

See Pages 34 - 66

**Pitch = 6.000" to 8.000"**

See Pages 68 - 96

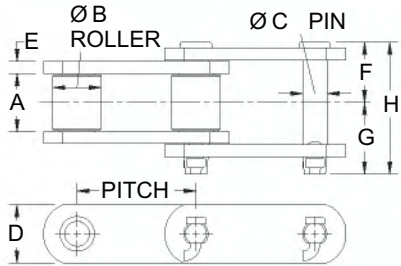
**Pitch = 9.000" to 18.000"**

See Pages 98 - 120

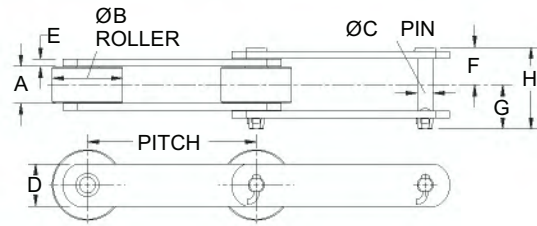


**TSUBAKI**

# 1.654" to 5.000" Pitch Roller Conveyor Chains



STYLE 3



STYLE 4

Chain Number	Pitch	Style	Attachment Detail	Dimensions								AUS (lbs.)	Max Working Load (lbs.)
				Inside Width	Roller Diameter	Pin Diameter	Sidebar Height	Sidebar Thickness	Pin Head to CL	Pin End to CL	Overall Width		
				A	B	C	D	E	F	G	H		
378RX	1.654	3	See Page 36	1.00	0.88	0.44	1.12	0.19	1.01	1.24	2.25	20,000	2,100
US278R	2.609	3	See Page 38	1.12	0.88	0.44	1.12	0.19	1.08	1.27	2.34	13,000	2,300
81X	2.609	3	See Page 39	1.06	0.91	0.44	1.14	0.16	0.95	1.11	2.06	24,000	2,150
81XH	2.609	3	See Page 41	1.06	0.91	0.44	1.23	.32 in/.22 out	1.21	1.33	2.54	41,000	2,500
81XHH	2.609	3	See Page 42	1.06	0.91	0.44	1.25	0.30	1.28	1.41	2.69	41,000	2,500
81X Lambda	2.609	3	See Page 43	1.06	0.91	0.44	1.13	0.16	1.00	1.15	2.15	24,000	2,500
87R	2.609	4	See Page 44	1.12	0.88	0.44	1.12	0.25	1.20	1.42	2.62	18,000	2,500
53R	3.000	4	See Page 45	1.00	1.50	0.44	1.12	0.19	1.01	1.24	2.25	13,000	2,100
93R	3.000	4	See Page 47	1.25	1.50	0.50	1.25	0.25	1.30	1.52	2.81	20,000	3,000
119RX	3.075	3	See Page 48	1.50	1.25	0.62	1.50	0.31	1.56	1.84	3.41	48,000	4,600
95R	4.000	4	See Page 49	1.00	1.50	0.44	1.12	0.19	1.02	1.23	2.25	13,000	2,100
1188R	4.000	4	See Page 51	1.12	1.75	0.44	1.12	0.19	1.08	1.30	2.38	13,000	2,100
94R	4.000	4	See Page 52	0.88	1.50	0.50	1.25	0.25	1.11	1.33	2.44	19,000	2,400
97R	4.000	4	See Page 54	0.88	1.75	0.50	1.25	0.25	1.11	1.33	2.44	19,000	2,400
US90R	4.000	4	See Page 55	1.19	2.00	0.44	1.25	0.19	1.11	1.33	2.44	16,500	2,400
83R	4.000	4	See Page 57	1.31	2.00	0.62	1.50	0.25	1.33	1.61	2.94	22,000	3,650
91R	4.000	4	See Page 59	1.31	1.75	0.62	1.50	0.31	1.47	1.75	3.22	28,000	4,100
89R	4.000	4	See Page 61	1.31	2.25	0.62	1.50	0.38	1.59	1.88	3.47	28,000	4,500
84R	4.000	4	See Page 64	2.31	2.25	0.62	1.50	0.38	2.08	2.39	4.47	28,000	4,700
1113R	4.040	4	See Page 66	1.31	2.00	0.62	1.50	0.31	1.47	1.75	3.22	26,000	4,250





**STYLE 1**

- Offset Sidebars
- Rollers Equal to or Less than Sidebar Height



**STYLE 2**

- Offset Sidebars
- Rollers Greater than Sidebar Height



**STYLE 3**

- Straight Sidebars
- Rollers Equal to or Less than Sidebar Height



**STYLE 4**

- Straight Sidebars
- Rollers Greater than Sidebar Height



**STYLE 5**

- Straight Sidebars
- Flanged Rollers Greater than Sidebar Height



**STYLE 6**

- Straight, High Sidebars
- Rollers Slightly Greater than Lower Sidebar



# ROLLER CONVEYOR CHAINS 378RX CHAIN

1.654" PITCH

Average Ultimate Strength: 20,000 lbs  
Max Working Load: 2,100 lbs  
Pitches Per Foot: 7.26

Upgrades Available:



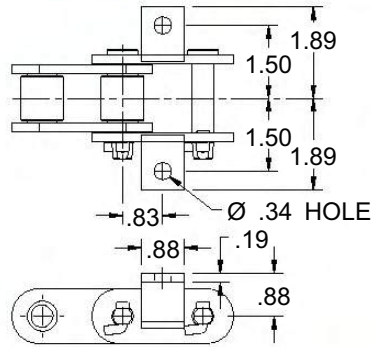
378RX CHAIN - PLAIN			Weight (lbs/ft): <b>3.60</b>
PLAIN CHAIN			
PIN TYPE	Cottered	Riveted	
TSUBAKI® PART #	15794	14620	
UNION® PART #	P-4111	-	

378RX CHAIN - A1 ATTACHMENT						Weight 1L (lbs/ft): <b>4.00</b>						
ATTACHMENT SPACING	1L		2L		3L		4L		5L		> 5L	
PIN TYPE	Cottered	Riveted	Cottered	Riveted	Cottered	Riveted	Cottered	Riveted	Cottered	Riveted	Cottered	Riveted
TSUBAKI® PART #	17226	28585	20571	28586	20572	28587	20573	28588	20574	28589	Call Us	Call Us

378RX CHAIN - K1 ATTACHMENT (FORMED)						Weight 1L (lbs/ft): <b>4.50</b>						
ATTACHMENT SPACING	1L		2L		3L		4L		5L		> 5L	
PIN TYPE	Cottered	Riveted	Cottered	Riveted	Cottered	Riveted	Cottered	Riveted	Cottered	Riveted	Cottered	Riveted
TSUBAKI® PART #	11638	28590	20566	28591	20567	28592	20568	28593	20569	28594	Call Us	Call Us

### 378RX CHAIN - K1 ATTACHMENT (WELDED)

Weight 2L (lbs/ft): **4.40**



ATTACHMENT SPACING	1L		2L		3L		4L		5L		> 5L	
	Cottered	Riveted	Cottered	Riveted	Cottered	Riveted	Cottered	Riveted	Cottered	Riveted	Cottered	Riveted
TSUBAKI® PART #	-	-	24067	28595	-	-	28596	28597	-	-	Call Us	Call Us

### 378RX CHAIN - K2 ATTACHMENT (WELDED)



*Consult factory for dimensions and spacing*



# ROLLER CONVEYOR CHAINS US278R CHAIN

2.609" PITCH

Average Ultimate Strength: 13,000 lbs  
Max Working Load: 2,300 lbs  
Pitches Per Foot: 4.60

Upgrades Available:



TITAN™  
XL



<b>US278R CHAIN - PLAIN</b>		Weight (lbs / ft): <b>3.10</b>
<b>PLAIN CHAIN</b>		
PIN TYPE	Cottered	Riveted
<b>TSUBAKI®</b> PART #	28600	28601

<b>US278R CHAIN - A1 ATTACHMENT</b>		Weight 2L (lbs / ft): <b>3.40</b>											
ATTACHMENT SPACING	1L		2L		3L		4L		5L		> 5L		
PIN TYPE	Cottered	Riveted	Cottered	Riveted	Cottered	Riveted	Cottered	Riveted	Cottered	Riveted	Cottered	Riveted	
<b>TSUBAKI®</b> PART #	-	-	28602	28603	28604	28605	28606	28607	28608	28609	Call Us	Call Us	

<b>US278R CHAIN - K1 ATTACHMENT</b>		Weight 2L (lbs / ft): <b>3.80</b>											
ATTACHMENT SPACING	1L		2L		3L		4L		5L		> 5L		
PIN TYPE	Cottered	Riveted	Cottered	Riveted	Cottered	Riveted	Cottered	Riveted	Cottered	Riveted	Cottered	Riveted	
<b>TSUBAKI®</b> PART #	-	-	28610	28611	28612	28613	28614	28615	28616	28617	Call Us	Call Us	

# ROLLER CONVEYOR CHAINS

## 81X CHAIN

2.609" PITCH

Average Ultimate Strength: 24,000 lbs  
 Max Working Load: 2,150 lbs  
 Pitches Per Foot: 4.60

Upgrades Available:



TITAN™  
XL



81X CHAIN - PLAIN			Weight (lbs/ft): 2.50
PLAIN CHAIN			
PIN TYPE	Cottered	Riveted	
TSUBAKI® PART #	-	-	
UNION® PART #	-	81X	

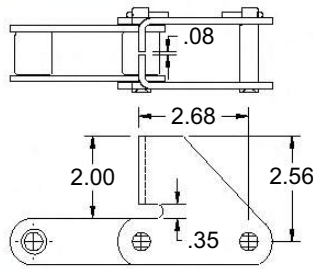
81X CHAIN - A2 ATTACHMENT (WELDED)
<p><i>Consult factory for dimensions and spacing</i></p>

81X CHAIN - A42 ATTACHMENT	Weight 2L (lbs/ft): 3.10											
ATTACHMENT SPACING	1L		2L		3L		4L		5L		> 5L	
PIN TYPE	Cottered	Riveted	Cottered	Riveted	Cottered	Riveted	Cottered	Riveted	Cottered	Riveted	Cottered	Riveted
TSUBAKI® PART #	-	-	-	25681	-	-	-	28618	-	-	-	Call Us

US278R / 81X ROLLER CONVEYOR CHAINS

## 81X CHAIN - H ATTACHMENT

Weight 2L (lbs/ft): **3.50**



ATTACHMENT SPACING	1L		2L		3L		4L		5L		> 5L	
	Cottered	Riveted	Cottered	Riveted	Cottered	Riveted	Cottered	Riveted	Cottered	Riveted	Cottered	Riveted
TSUBAKI® PART #	-	-	-	28619	-	28620	-	24425	-	28621	-	Call Us

## 81X CHAIN - K2 ATTACHMENT (WELDED)



*Consult factory for dimensions and spacing*

## 81X CHAIN - TRIMMER LUG



*Consult factory for dimensions and spacing*





# ROLLER CONVEYOR CHAINS

## 81XH CHAIN

2.609" PITCH

Average Ultimate Strength: 41,000 lbs  
 Max Working Load: 2,500 lbs  
 Pitches Per Foot: 4.60

Upgrades Available:



TITAN™  
XL



81XH CHAIN - PLAIN			Weight (lbs/ft): 4.40
PLAIN CHAIN			
PIN TYPE	Cottered	Riveted	
TSUBAKI® PART #	-	-	
UNION® PART #	-	81XH	

81X / 81XH ROLLER CONVEYOR CHAINS

# ROLLER CONVEYOR CHAINS

## 81XHH CHAIN

2.609" PITCH

Average Ultimate Strength: 41,000 lbs  
 Max Working Load: 2,500 lbs  
 Pitches Per Foot: 4.60

Upgrades Available:

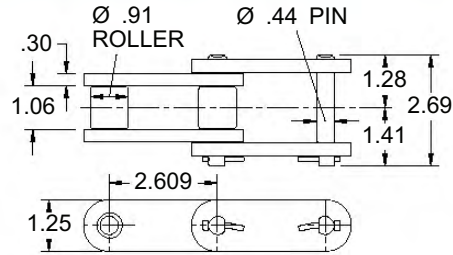


TITAN™  
XL



### 81XHH CHAIN - PLAIN

Weight (lbs/ft): **4.40**



#### PLAIN CHAIN

PIN TYPE	Cottered	Riveted
TSUBAKI® PART #	-	-
UNION® PART #	-	81XHH

# ROLLER CONVEYOR CHAINS

## 81X LAMBDA CHAIN

2.609" PITCH

Average Ultimate Strength: 24,000 lbs  
 Max Working Load: 2,500 lbs  
 Pitches Per Foot: 4.60

Upgrades Available:

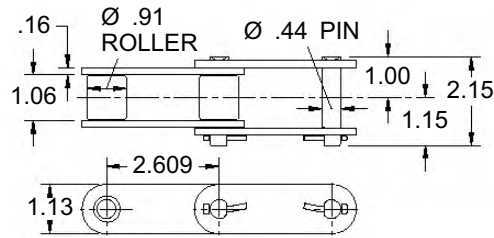


TITAN™  
XL



### 81X LAMBDA CHAIN - PLAIN

Weight (lbs/ft): 4.40



#### PLAIN CHAIN

PIN TYPE	Cottered	Riveted
TSUBAKI® PART #	-	81XLAM

# ROLLER CONVEYOR CHAINS

## 87R CHAIN

2.609" PITCH

Average Ultimate Strength: 18,000 lbs  
 Max Working Load: 2,500 lbs  
 Pitches Per Foot: 4.60

Upgrades Available:



TITAN™ XL



<b>87R CHAIN - PLAIN</b>		Weight (lbs/ft): <b>4.00</b>
<b>PLAIN CHAIN</b>		
PIN TYPE	Cottered	Riveted
<b>TSUBAKI® PART #</b>	3662	28890

<b>87R CHAIN - A2 ATTACHMENT</b>		Weight 1L (lbs/ft): <b>4.80</b>											
<b>ATTACHMENT SPACING</b>	1L		2L		3L		4L		5L		> 5L		
PIN TYPE	Cottered	Riveted	Cottered	Riveted	Cottered	Riveted	Cottered	Riveted	Cottered	Riveted	Cottered	Riveted	
<b>TSUBAKI® PART #</b>	28891	28892	28893	28894	28895	28896	28897	23608	28898	28899	Call Us	Call Us	

<b>87R CHAIN - K2 ATTACHMENT</b>		Weight 1L (lbs/ft): <b>5.90</b>											
<b>ATTACHMENT SPACING</b>	1L		2L		3L		4L		5L		> 5L		
PIN TYPE	Cottered	Riveted	Cottered	Riveted	Cottered	Riveted	Cottered	Riveted	Cottered	Riveted	Cottered	Riveted	
<b>TSUBAKI® PART #</b>	23320	28900	28901	28902	16311	28903	28904	28905	28906	28907	Call Us	Call Us	

Don't see what you need? Call us at 1-800-323-7790 and we will make it!

# ROLLER CONVEYOR CHAINS

## 53R CHAIN

3.000" PITCH

Average Ultimate Strength: 13,000 lbs

Max Working Load: 2,100 lbs

Pitches Per Foot: 4.00

Upgrades Available:

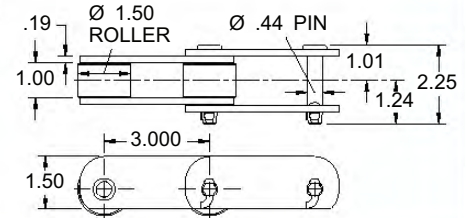
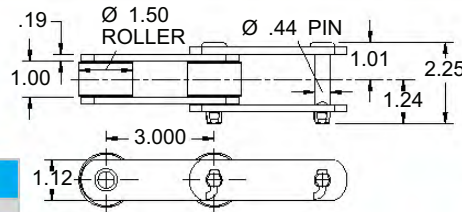


TITAN™ XL



### 53R CHAIN - PLAIN

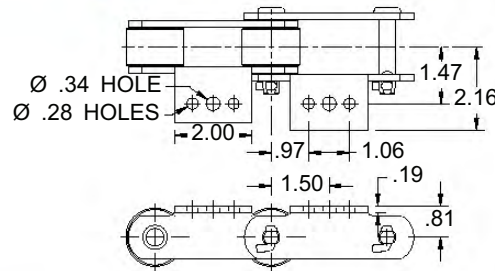
Weight (lbs/ft): 4.00



	PLAIN CHAIN			
	STANDARD SIDEBAR		HIGH SIDEBAR	
PIN TYPE	Cottered	Riveted	Cottered	Riveted
TSUBAKI® PART #	3828	23188	19141	22467U

### 53R CHAIN - A1 / A2 ATTACHMENT

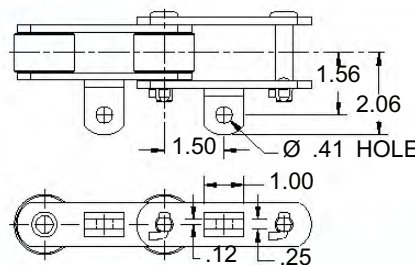
Weight 1L (lbs/ft): 4.60



ATTACHMENT SPACING	1L		2L		3L		4L		5L		> 5L	
PIN TYPE	Cottered	Riveted	Cottered	Riveted	Cottered	Riveted	Cottered	Riveted	Cottered	Riveted	Cottered	Riveted
TSUBAKI® PART #	3248	28622	14126	28623	14750	28624	14314	28625	20576	28626	Call Us	Call Us

### 53R CHAIN - A42 ATTACHMENT

Weight 1L (lbs/ft): 4.40

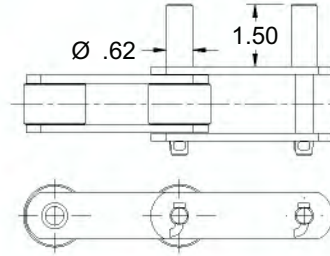


ATTACHMENT SPACING	1L		2L		3L		4L		5L		> 5L	
PIN TYPE	Cottered	Riveted	Cottered	Riveted	Cottered	Riveted	Cottered	Riveted	Cottered	Riveted	Cottered	Riveted
TSUBAKI® PART #	28647	28648	28649	28650	28651	28652	28653	28654	28655	28656	Call Us	Call Us

87R / 53R ROLLER CONVEYOR CHAINS

**53R CHAIN - D5 ATTACHMENT**

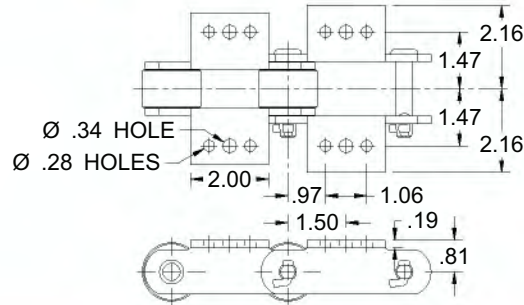
Weight 1L (lbs/ft): **4.50**



ATTACHMENT SPACING	1L		2L		3L		4L		5L		> 5L	
PIN TYPE	Cottered	Riveted	Cottered	Riveted	Cottered	Riveted	Cottered	Riveted	Cottered	Riveted	Cottered	Riveted
<b>TSUBAKI®</b> PART #	17175	23732	28639	28640	28641	28642	28643	28644	28645	28646	Call Us	Call Us

**53R CHAIN - K1 / K2 ATTACHMENT**

Weight 1L (lbs/ft): **5.10**



ATTACHMENT SPACING	1L		2L		3L		4L		5L		> 5L	
PIN TYPE	Cottered	Riveted	Cottered	Riveted	Cottered	Riveted	Cottered	Riveted	Cottered	Riveted	Cottered	Riveted
<b>TSUBAKI®</b> PART #	14882	28634	4303	28635	18834	28636	17418	28637	19536	28638	Call Us	Call Us

Average Ultimate Strength: 20,000 lbs

Max Working Load: 3,000 lbs

Pitches Per Foot: 4.00

Upgrades Available:



<b>93R CHAIN - PLAIN</b>		Weight (lbs/ft): <b>5.60</b>									
<table border="1" style="margin: auto; border-collapse: collapse;"> <tr> <th colspan="3" style="background-color: #0070C0; color: white; padding: 5px;">PLAIN CHAIN</th> </tr> <tr> <th style="padding: 5px;">PIN TYPE</th> <th style="padding: 5px;">Cottered</th> <th style="padding: 5px;">Riveted</th> </tr> <tr> <th style="padding: 5px;">TSUBAKI® PART #</th> <td style="padding: 5px;">4517</td> <td style="padding: 5px;">28657</td> </tr> </table>			PLAIN CHAIN			PIN TYPE	Cottered	Riveted	TSUBAKI® PART #	4517	28657
PLAIN CHAIN											
PIN TYPE	Cottered	Riveted									
TSUBAKI® PART #	4517	28657									

<b>93R CHAIN - A2 ATTACHMENT</b>		Weight 1L (lbs/ft): <b>6.60</b>											
ATTACHMENT SPACING	1L		2L		3L		4L		5L		> 5L		
PIN TYPE	Cottered	Riveted	Cottered	Riveted	Cottered	Riveted	Cottered	Riveted	Cottered	Riveted	Cottered	Riveted	
TSUBAKI® PART #	28658	28659	28660	28661	28662	28663	26636	28664	28665	28666	Call Us	Call Us	

<b>93R CHAIN - K2 ATTACHMENT</b>		Weight 1L (lbs/ft): <b>7.60</b>											
ATTACHMENT SPACING	1L		2L		3L		4L		5L		> 5L		
PIN TYPE	Cottered	Riveted	Cottered	Riveted	Cottered	Riveted	Cottered	Riveted	Cottered	Riveted	Cottered	Riveted	
TSUBAKI® PART #	28667	28668	28669	28670	28671	28672	28676	28677	28678	28679	Call Us	Call Us	

# ROLLER CONVEYOR CHAINS 119RX CHAIN

3.075" PITCH

Average Ultimate Strength: 48,000 lbs  
Max Working Load: 4,600 lbs  
Pitches Per Foot: 3.90

Upgrades Available:



TITAN™  
XL



<b>119RX CHAIN - PLAIN</b>			Weight (lbs/ft): <b>6.80</b>
<b>PLAIN CHAIN</b>			
PIN TYPE	Cottered	Riveted	
<b>TSUBAKI®</b> PART #	28680	28681	

<b>119RX CHAIN - A2 ATTACHMENT</b>						Weight 1L (lbs/ft): <b>8.40</b>						
<b>ATTACHMENT SPACING</b>	<b>1L</b>		<b>2L</b>		<b>3L</b>		<b>4L</b>		<b>5L</b>		<b>&gt; 5L</b>	
PIN TYPE	Cottered	Riveted	Cottered	Riveted	Cottered	Riveted	Cottered	Riveted	Cottered	Riveted	Cottered	Riveted
<b>TSUBAKI®</b> PART #	28682	28683	28684	28685	28686	28687	28688	28689	28690	28691	Call Us	Call Us

<b>119RX CHAIN - K2 ATTACHMENT</b>						Weight 1L (lbs/ft): <b>10.10</b>						
<b>ATTACHMENT SPACING</b>	<b>1L</b>		<b>2L</b>		<b>3L</b>		<b>4L</b>		<b>5L</b>		<b>&gt; 5L</b>	
PIN TYPE	Cottered	Riveted	Cottered	Riveted	Cottered	Riveted	Cottered	Riveted	Cottered	Riveted	Cottered	Riveted
<b>TSUBAKI®</b> PART #	28692	28693	28694	28695	28696	28697	28698	28699	28700	28701	Call Us	Call Us



# ROLLER CONVEYOR CHAINS

## 95R CHAIN

4.000" PITCH

Average Ultimate Strength: 13,000 lbs  
 Max Working Load: 2,100 lbs  
 Pitches Per Foot: 3.00

Upgrades Available:



**95R CHAIN - PLAIN** Weight (lbs/ft): **3.40**

	PLAIN CHAIN			
	STANDARD SIDEBAR		HIGH SIDEBAR	
PIN TYPE	Cottered	Riveted	Cottered	Riveted
TSUBAKI® PART #	2483	14187	22164	19246

**95R CHAIN - A1 / A2 ATTACHMENT** Weight 1L (lbs/ft): **3.90**

ATTACHMENT SPACING	1L		2L		3L		4L		5L		> 5L	
PIN TYPE	Cottered	Riveted	Cottered	Riveted	Cottered	Riveted	Cottered	Riveted	Cottered	Riveted	Cottered	Riveted
TSUBAKI® PART #	12221	28702	4078	28703	14330	28704	15009	28705	20604	28706	Call Us	Call Us

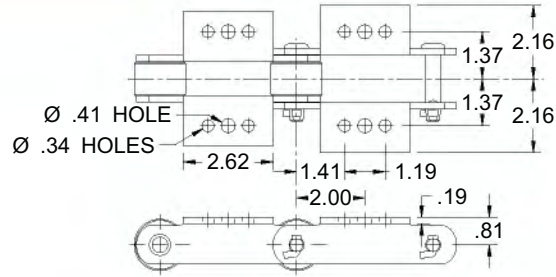
**95R CHAIN - A42 ATTACHMENT** Weight 1L (lbs/ft): **3.80**

ATTACHMENT SPACING	1L		2L		3L		4L		5L		> 5L	
PIN TYPE	Cottered	Riveted	Cottered	Riveted	Cottered	Riveted	Cottered	Riveted	Cottered	Riveted	Cottered	Riveted
TSUBAKI® PART #	16185	28712	4187	28713	28714	28715	28716	28717	28718	28719	Call Us	Call Us

119RX / 95R ROLLER CONVEYOR CHAINS

95R CHAIN - K1 / K2 ATTACHMENT

Weight 1L (lbs/ft): 4.50



ATTACHMENT SPACING	1L		2L		3L		4L		5L		> 5L	
	Cottered	Riveted	Cottered	Riveted	Cottered	Riveted	Cottered	Riveted	Cottered	Riveted	Cottered	Riveted
TSUBAKI® PART #	3026	28707	14538	28708	13682	28709	20601	28710	20602	28711	Call Us	Call Us



# ROLLER CONVEYOR CHAINS 1188R CHAIN

4.000" PITCH

Average Ultimate Strength: 13,000 lbs  
Max Working Load: 2,100 lbs  
Pitches Per Foot: 3.00

Upgrades Available:

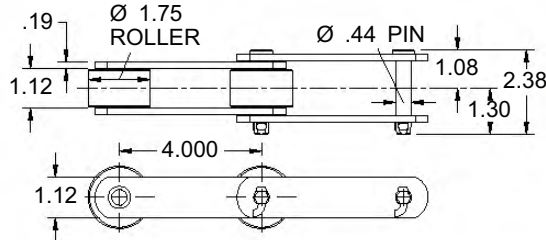


TITAN™  
XL



## 1188R CHAIN - PLAIN

Weight (lbs/ft): **4.10**

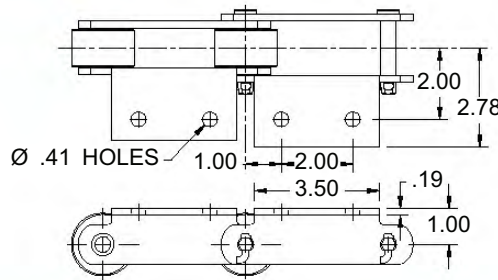


### PLAIN CHAIN

PIN TYPE	Cottered	Riveted
TSUBAKI® PART #	4997	28720

## 1188R CHAIN - A2 ATTACHMENT

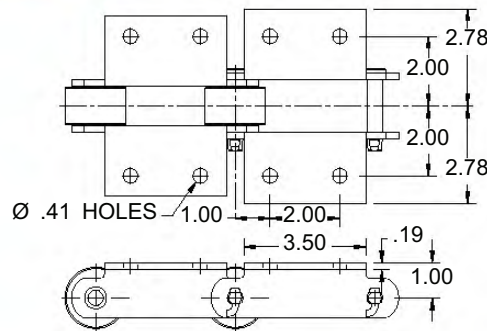
Weight 1L (lbs/ft): **5.30**



ATTACHMENT SPACING	1L		2L		3L		4L		5L		> 5L	
	Cottered	Riveted	Cottered	Riveted	Cottered	Riveted	Cottered	Riveted	Cottered	Riveted	Cottered	Riveted
TSUBAKI® PART #	28721	28722	28723	28724	28725	28726	28727	28728	28729	28730	Call Us	Call Us

## 1188R CHAIN - K2 ATTACHMENT

Weight 1L (lbs/ft): **6.40**



ATTACHMENT SPACING	1L		2L		3L		4L		5L		> 5L	
	Cottered	Riveted	Cottered	Riveted	Cottered	Riveted	Cottered	Riveted	Cottered	Riveted	Cottered	Riveted
TSUBAKI® PART #	28731	28732	28733	28734	28735	28736	28737	28738	28739	28740	Call Us	Call Us

95R / 1188R ROLLER CONVEYOR CHAINS

# ROLLER CONVEYOR CHAINS

## 94R CHAIN

4.000" PITCH

Average Ultimate Strength: 19,000 lbs

Upgrades Available:

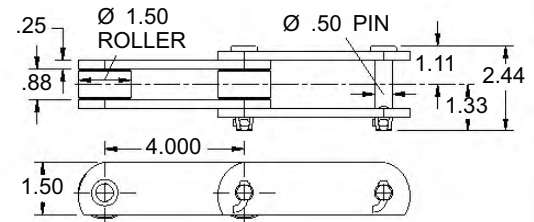
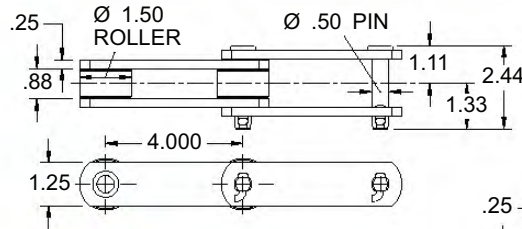
Max Working Load: 2,400 lbs

Pitches Per Foot: 3.00



### 94R CHAIN - PLAIN

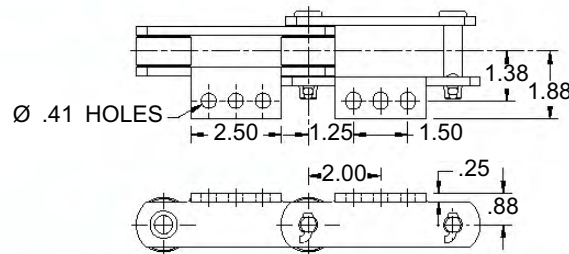
Weight (lbs/ft): 4.50



	PLAIN CHAIN			
	STANDARD SIDEBAR		HIGH SIDEBAR	
PIN TYPE	Cottered	Riveted	Cottered	Riveted
TSUBAKI® PART #	3723	14551	17575	28741

### 94R CHAIN - A1 / A2 ATTACHMENT

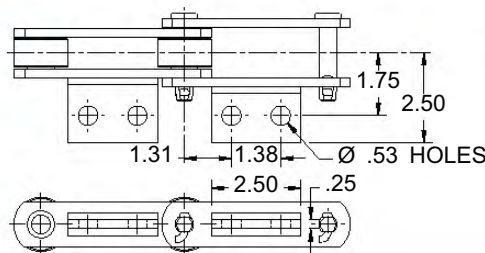
Weight 1L (lbs/ft): 4.70



ATTACHMENT SPACING	1L		2L		3L		4L		5L		> 5L	
PIN TYPE	Cottered	Riveted	Cottered	Riveted	Cottered	Riveted	Cottered	Riveted	Cottered	Riveted	Cottered	Riveted
TSUBAKI® PART #	14759	28742	14922	28743	12030	28744	10483	28745	17448	28746	Call Us	Call Us

### 94R CHAIN - A11 ATTACHMENT

Weight 1L (lbs/ft): 5.00



ATTACHMENT SPACING	1L		2L		3L		4L		5L		> 5L	
PIN TYPE	Cottered	Riveted	Cottered	Riveted	Cottered	Riveted	Cottered	Riveted	Cottered	Riveted	Cottered	Riveted
TSUBAKI® PART #	28752	28753	28754	28755	28756	28757	22777	28758	28759	28760	Call Us	Call Us

Don't see what you need? Call us at 1-800-323-7790 and we will make it!

## 94R CHAIN - D5 ATTACHMENT



*Consult factory for dimensions and spacing*

## 94R CHAIN - K1 / K2 ATTACHMENT



*Consult factory for dimensions and spacing*

# ROLLER CONVEYOR CHAINS

## 97R CHAIN

4.000" PITCH

Average Ultimate Strength: 19,000 lbs  
 Max Working Load: 2,400 lbs  
 Pitches Per Foot: 3.00

Upgrades Available:



97R CHAIN - PLAIN			Weight (lbs/ft): 4.50
PLAIN CHAIN			
PIN TYPE	Cottered	Riveted	
TSUBAKI® PART #	3106	28761	

97R CHAIN - A1 / A2 ATTACHMENT							Weight 1L (lbs/ft): 5.10					
ATTACHMENT SPACING	1L		2L		3L		4L		5L		> 5L	
PIN TYPE	Cottered	Riveted	Cottered	Riveted	Cottered	Riveted	Cottered	Riveted	Cottered	Riveted	Cottered	Riveted
TSUBAKI® PART #	25446	28762	28763	28764	28765	28766	28767	28768	28769	28770	Call Us	Call Us

97R CHAIN - K1 / K2 ATTACHMENT							Weight 1L (lbs/ft): 5.70					
ATTACHMENT SPACING	1L		2L		3L		4L		5L		> 5L	
PIN TYPE	Cottered	Riveted	Cottered	Riveted	Cottered	Riveted	Cottered	Riveted	Cottered	Riveted	Cottered	Riveted
TSUBAKI® PART #	28771	28772	28773	28774	28775	28776	28777	28778	28779	28781	Call Us	Call Us

# ROLLER CONVEYOR CHAINS

## US90R CHAIN

4.000" PITCH

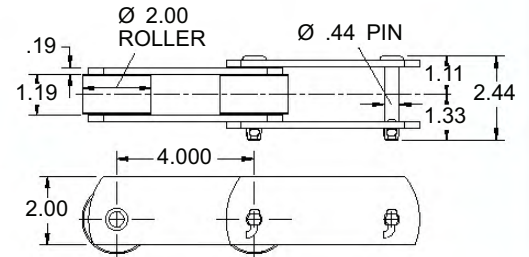
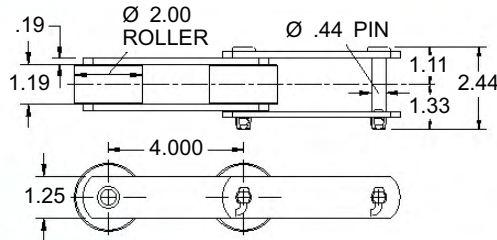
Average Ultimate Strength: 16,500 lbs  
 Max Working Load: 2,400 lbs  
 Pitches Per Foot: 3.00

Upgrades Available:



### US90R CHAIN - PLAIN

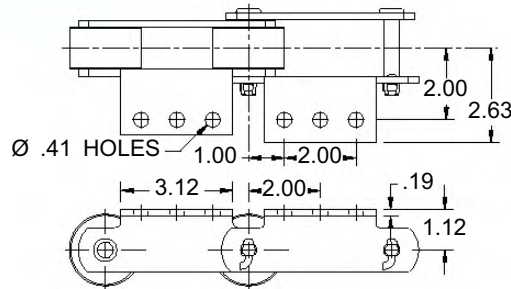
Weight (lbs/ft): 5.20



	PLAIN CHAIN			
	STANDARD SIDEBAR		HIGH SIDEBAR	
PIN TYPE	Cottered	Riveted	Cottered	Riveted
TSUBAKI® PART #	11190	28782	21628	21630

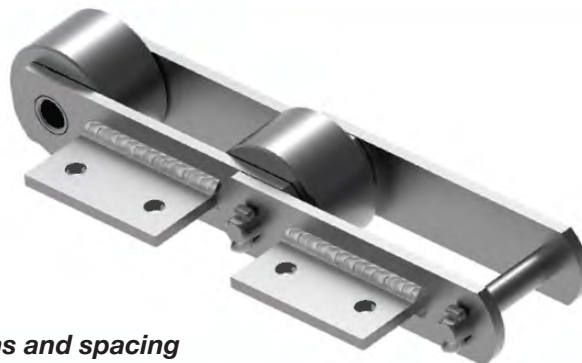
### US90R CHAIN - A1 / A2 ATTACHMENT

Weight 1L (lbs/ft): 6.20



ATTACHMENT SPACING	1L		2L		3L		4L		5L		> 5L	
PIN TYPE	Cottered	Riveted	Cottered	Riveted	Cottered	Riveted	Cottered	Riveted	Cottered	Riveted	Cottered	Riveted
TSUBAKI® PART #	15128	28783	12673	28784	14252	28785	18286	28786	15139	28787	Call Us	Call Us

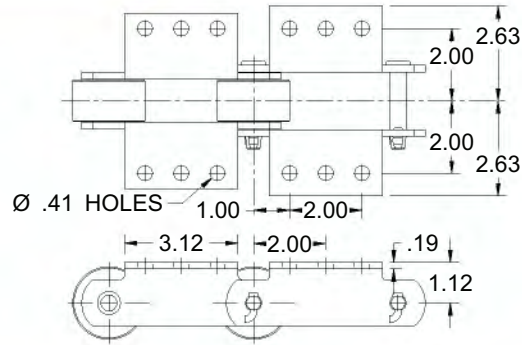
### US90R CHAIN - A11 ATTACHMENT



Consult factory for dimensions and spacing

**US90R CHAIN - K1 / K2 ATTACHMENT**

Weight 1L (lbs/ft): **7.20**



ATTACHMENT SPACING	1L		2L		3L		4L		5L		> 5L	
PIN TYPE	Cottered	Riveted	Cottered	Riveted	Cottered	Riveted	Cottered	Riveted	Cottered	Riveted	Cottered	Riveted
TSUBAKI® PART #	11371	28788	14376	28789	12388	28790	29385	28791	20591	28792	Call Us	Call Us



# 83R CHAIN

Average Ultimate Strength: 22,000 lbs

Max Working Load: 3,650 lbs

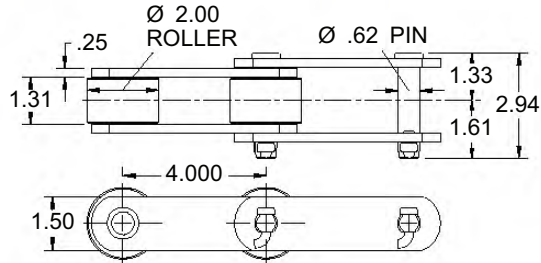
Pitches Per Foot: 3.00

Upgrades Available:



## 83R - PLAIN

Weight 1L (lbs/ft): **6.60**



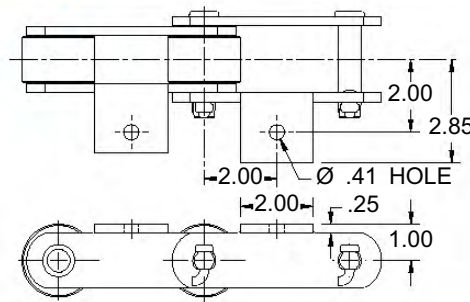
### PLAIN CHAIN

PIN TYPE	Cottered	Riveted
----------	----------	---------

TSUBAKI® PART #	3548	28794
-----------------	------	-------

## 83R CHAIN - A1 ATTACHMENT

Weight 1L (lbs/ft): **7.70**



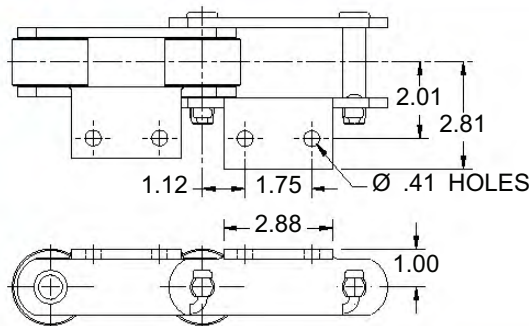
ATTACHMENT SPACING	1L		2L		3L		4L		5L		> 5L	
--------------------	----	--	----	--	----	--	----	--	----	--	------	--

PIN TYPE	Cottered	Riveted	Cottered	Riveted	Cottered	Riveted	Cottered	Riveted	Cottered	Riveted	Cottered	Riveted
----------	----------	---------	----------	---------	----------	---------	----------	---------	----------	---------	----------	---------

TSUBAKI® PART #	16218	28795	28796	28797	23070	28798	28799	28800	28801	28802	Call Us	Call Us
-----------------	-------	-------	-------	-------	-------	-------	-------	-------	-------	-------	---------	---------

## 83R CHAIN - A2 ATTACHMENT

Weight 1L (lbs/ft): **8.00**



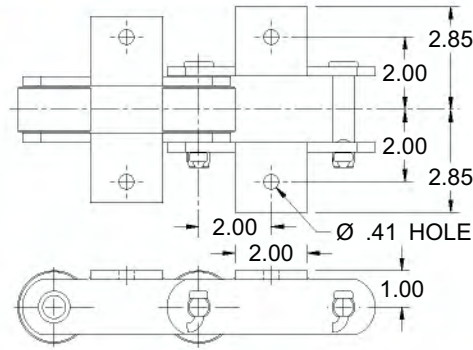
ATTACHMENT SPACING	1L		2L		3L		4L		5L		> 5L	
--------------------	----	--	----	--	----	--	----	--	----	--	------	--

PIN TYPE	Cottered	Riveted	Cottered	Riveted	Cottered	Riveted	Cottered	Riveted	Cottered	Riveted	Cottered	Riveted
----------	----------	---------	----------	---------	----------	---------	----------	---------	----------	---------	----------	---------

TSUBAKI® PART #	10176	28803	28804	28805	28806	28807	28808	28809	28810	28811	Call Us	Call Us
-----------------	-------	-------	-------	-------	-------	-------	-------	-------	-------	-------	---------	---------

### 83R CHAIN - K1 ATTACHMENT

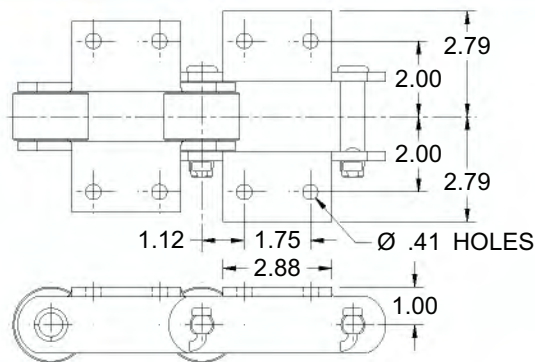
Weight 1L (lbs/ft): **8.50**



ATTACHMENT SPACING	1L		2L		3L		4L		5L		> 5L	
PIN TYPE	Cottered	Riveted	Cottered	Riveted	Cottered	Riveted	Cottered	Riveted	Cottered	Riveted	Cottered	Riveted
TSUBAKI® PART #	28812	28813	28814	28815	28816	28817	28818	28819	28820	28821	Call Us	Call Us

### 83R CHAIN - K2 ATTACHMENT

Weight 1L (lbs/ft): **9.30**



ATTACHMENT SPACING	1L		2L		3L		4L		5L		> 5L	
PIN TYPE	Cottered	Riveted	Cottered	Riveted	Cottered	Riveted	Cottered	Riveted	Cottered	Riveted	Cottered	Riveted
TSUBAKI® PART #	20011	28822	22360	28823	16894	28824	27566	28825	28826	28827	Call Us	Call Us

# 91R CHAIN

4.000" PITCH

Average Ultimate Strength: 28,000 lbs  
 Max Working Load: 4,100 lbs  
 Pitches Per Foot: 3.00

Upgrades Available:



91R CHAIN - PLAIN		Weight (lbs/ft): 7.00
PLAIN CHAIN		
PIN TYPE	Cottered	Riveted
TSUBAKI® PART #	4883	15310

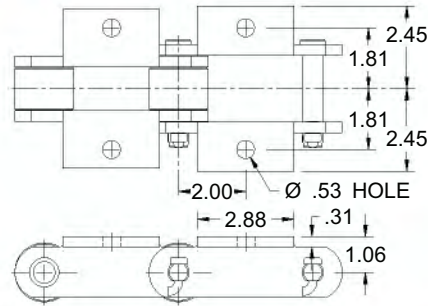
91R CHAIN - A1 ATTACHMENT		Weight 1L (lbs/ft): 8.10											
ATTACHMENT SPACING	1L		2L		3L		4L		5L		> 5L		
PIN TYPE	Cottered	Riveted	Cottered	Riveted	Cottered	Riveted	Cottered	Riveted	Cottered	Riveted	Cottered	Riveted	
TSUBAKI® PART #	28828	28829	28830	28831	28832	28833	28834	28835	28836	28837	Call Us	Call Us	

91R CHAIN - A2 ATTACHMENT		Weight 1L (lbs/ft): 8.10											
ATTACHMENT SPACING	1L		2L		3L		4L		5L		> 5L		
PIN TYPE	Cottered	Riveted	Cottered	Riveted	Cottered	Riveted	Cottered	Riveted	Cottered	Riveted	Cottered	Riveted	
TSUBAKI® PART #	20040	28847	28848	28849	16705	28850	14365	28851	29386	28852	Call Us	Call Us	

83R / 91R ROLLER CONVEYOR CHAINS

## 91R CHAIN - K1 ATTACHMENT

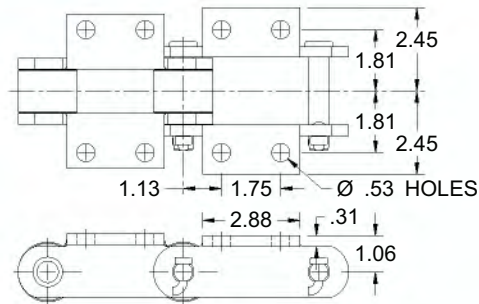
Weight 1L (lbs/ft): **9.10**



ATTACHMENT SPACING	1L		2L		3L		4L		5L		> 5L	
PIN TYPE	Cottered	Riveted	Cottered	Riveted	Cottered	Riveted	Cottered	Riveted	Cottered	Riveted	Cottered	Riveted
TSUBAKI® PART #	10531	28838	28839	28840	28841	28842	28843	28844	28845	28846	Call Us	Call Us

## 91R CHAIN - K2 ATTACHMENT

Weight 1L (lbs/ft): **9.10**



ATTACHMENT SPACING	1L		2L		3L		4L		5L		> 5L	
PIN TYPE	Cottered	Riveted	Cottered	Riveted	Cottered	Riveted	Cottered	Riveted	Cottered	Riveted	Cottered	Riveted
TSUBAKI® PART #	11761	28853	4844	28854	20593	28855	20594	28856	20595	28857	Call Us	Call Us

Average Ultimate Strength: 28,000 lbs

Max Working Load: 4,500 lbs

Pitches Per Foot: 3.00

Upgrades Available:



**89R CHAIN - PLAIN** Weight (lbs/ft): **9.60**

	PLAIN CHAIN			
	STANDARD SIDEBAR		HIGH SIDEBAR	
PIN TYPE	Cottered	Riveted	Cottered	Riveted
TSUBAKI® PART #	12336	28908	28909	19999

**89R CHAIN - A1 ATTACHMENT** Weight 1L (lbs/ft): **10.90**

ATTACHMENT SPACING	1L		2L		3L		4L		5L		> 5L	
PIN TYPE	Cottered	Riveted	Cottered	Riveted	Cottered	Riveted	Cottered	Riveted	Cottered	Riveted	Cottered	Riveted
TSUBAKI® PART #	16691	28910	17944	28911	28912	28913	15492	28914	20590	28915	Call Us	Call Us

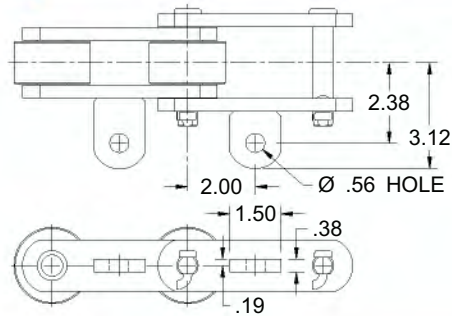
**89R CHAIN - A2 ATTACHMENT** Weight 1L (lbs/ft): **11.20**

ATTACHMENT SPACING	1L		2L		3L		4L		5L		> 5L	
PIN TYPE	Cottered	Riveted	Cottered	Riveted	Cottered	Riveted	Cottered	Riveted	Cottered	Riveted	Cottered	Riveted
TSUBAKI® PART #	28916	28917	28918	28919	18171	28920	28921	28922	28923	28924	Call Us	Call Us

91R / 89R ROLLER CONVEYOR CHAINS

### 89R CHAIN - A42 ATTACHMENT

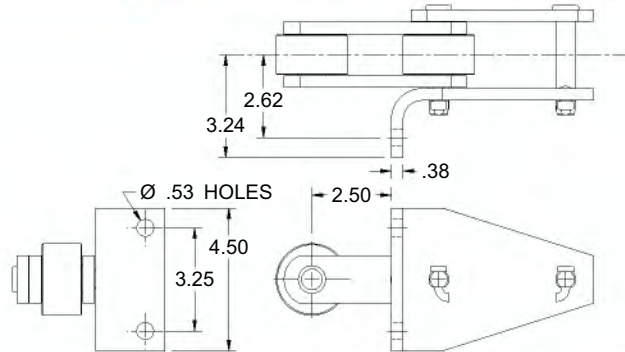
Weight 1L (lbs/ft): **10.30**



ATTACHMENT SPACING	1L		2L		3L		4L		5L		> 5L	
PIN TYPE	Cottered	Riveted	Cottered	Riveted	Cottered	Riveted	Cottered	Riveted	Cottered	Riveted	Cottered	Riveted
TSUBAKI® PART #	28939	28940	28941	28942	28943	28944	28945	28946	28947	28948	Call Us	Call Us

### 89R CHAIN - G19 ATTACHMENT

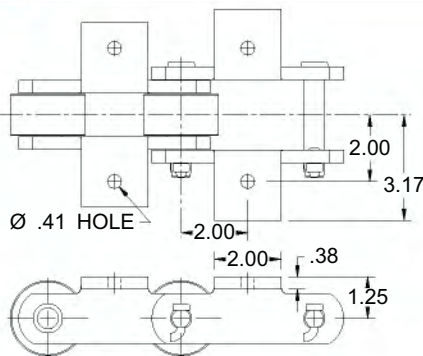
Weight 2L (lbs/ft): **12.60**



ATTACHMENT SPACING	1L		2L		3L		4L		5L		> 5L	
PIN TYPE	Cottered	Riveted	Cottered	Riveted	Cottered	Riveted	Cottered	Riveted	Cottered	Riveted	Cottered	Riveted
TSUBAKI® PART #	-	-	28949	28950	28951	28952	21738	28953	28954	28955	Call Us	Call Us

### 89R CHAIN - K1 ATTACHMENT

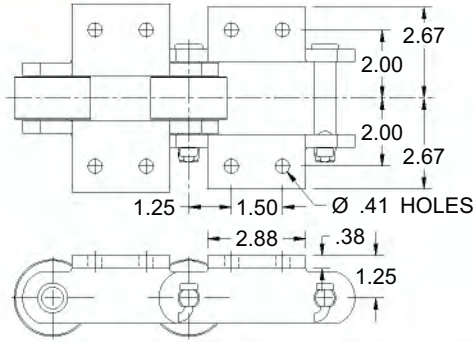
Weight 1L (lbs/ft): **12.30**



ATTACHMENT SPACING	1L		2L		3L		4L		5L		> 5L	
PIN TYPE	Cottered	Riveted	Cottered	Riveted	Cottered	Riveted	Cottered	Riveted	Cottered	Riveted	Cottered	Riveted
TSUBAKI® PART #	14380	28925	17788	28926	28927	28928	28929	28930	28931	28932	Call Us	Call Us

# 89R CHAIN - K2 ATTACHMENT

Weight 1L (lbs/ft): **12.90**



ATTACHMENT SPACING	1L		2L		3L		4L		5L		> 5L	
	Cottered	Riveted	Cottered	Riveted	Cottered	Riveted	Cottered	Riveted	Cottered	Riveted	Cottered	Riveted
<b>TSUBAKI</b> PART #	28933	28934	14377	28935	20586	28936	20587	28937	20588	28938	Call Us	Call Us

Average Ultimate Strength: 28,000 lbs

Max Working Load: 4,700 lbs

Pitches Per Foot: 3.00

Upgrades Available:



84R CHAIN - PLAIN					Weight 1L (lbs/ft): 13.00								
		PLAIN CHAIN											
		STANDARD SIDEBAR		HIGH SIDEBAR									
PIN TYPE		Cottered		Riveted		Cottered		Riveted		Cottered		Riveted	
TSUBAKI® PART #		4824	28858	26333	28859								

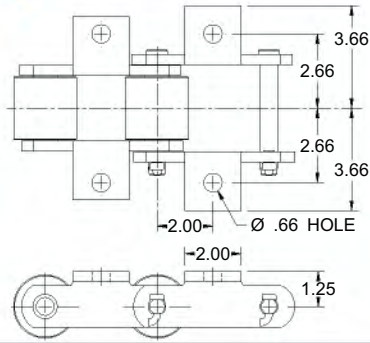
84R CHAIN - A1 ATTACHMENT						Weight 1L (lbs/ft): 14.20							
ATTACHMENT SPACING		1L		2L		3L		4L		5L		> 5L	
PIN TYPE		Cottered		Riveted		Cottered		Riveted		Cottered		Riveted	
TSUBAKI® PART #		28860	28861	28862	28863	28864	28865	28866	28867	28869	28870	Call Us	Call Us

84R CHAIN - A2 ATTACHMENT						Weight 1L (lbs/ft): 14.70							
ATTACHMENT SPACING		1L		2L		3L		4L		5L		> 5L	
PIN TYPE		Cottered		Riveted		Cottered		Riveted		Cottered		Riveted	
TSUBAKI® PART #		13606	28880	20581	28881	20582	28882	20583	28883	20584	28884	Call Us	Call Us



## 84R CHAIN - K1 ATTACHMENT

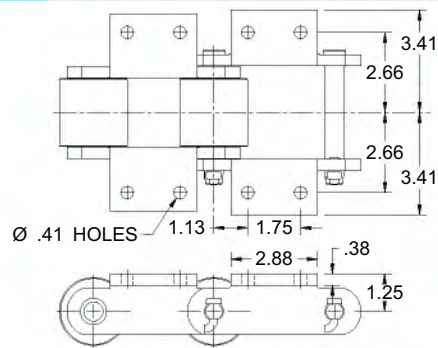
Weight 1L (lbs/ft): **15.40**



ATTACHMENT SPACING	1L		2L		3L		4L		5L		> 5L	
PIN TYPE	Cottered	Riveted	Cottered	Riveted	Cottered	Riveted	Cottered	Riveted	Cottered	Riveted	Cottered	Riveted
TSUBAKI® PART #	11741	28871	28872	28873	28874	28875	28876	28877	28878	28879	Call Us	Call Us

## 84R CHAIN - K2 ATTACHMENT

Weight 1L (lbs/ft): **16.40**



ATTACHMENT SPACING	1L		2L		3L		4L		5L		> 5L	
PIN TYPE	Cottered	Riveted	Cottered	Riveted	Cottered	Riveted	Cottered	Riveted	Cottered	Riveted	Cottered	Riveted
TSUBAKI® PART #	11713	28885	20577	28886	20578	28887	20579	28888	29387	28889	Call Us	Call Us

# ROLLER CONVEYOR CHAINS 1113R CHAIN

4.040" PITCH

Average Ultimate Strength: 26,000 lbs  
Max Working Load: 4,250 lbs  
Pitches Per Foot: 2.97

Upgrades Available:



TITAN™  
XL



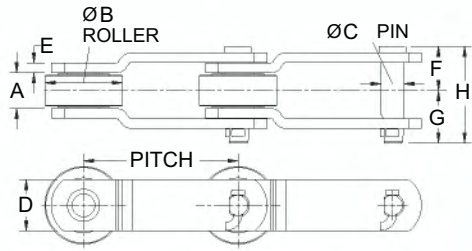
<b>1113R CHAIN - PLAIN</b>		Weight (lbs/ft): <b>7.80</b>
<b>PLAIN CHAIN</b>		
PIN TYPE	Cottered	Riveted
<b>TSUBAKI®</b> PART #	2954	29281

<b>1113R CHAIN - A2 ATTACHMENT</b>		Weight 1L (lbs/ft): <b>9.20</b>											
ATTACHMENT SPACING	1L		2L		3L		4L		5L		> 5L		
PIN TYPE	Cottered	Riveted	Cottered	Riveted	Cottered	Riveted	Cottered	Riveted	Cottered	Riveted	Cottered	Riveted	
<b>TSUBAKI®</b> PART #	29282	29283	29284	29285	29286	29287	29288	29289	29290	29291	Call Us	Call Us	

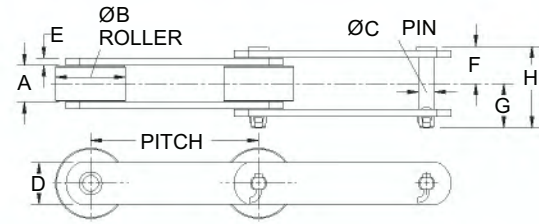
<b>1113R CHAIN - K2 ATTACHMENT</b>		Weight 1L (lbs/ft): <b>10.60</b>											
ATTACHMENT SPACING	1L		2L		3L		4L		5L		> 5L		
PIN TYPE	Cottered	Riveted	Cottered	Riveted	Cottered	Riveted	Cottered	Riveted	Cottered	Riveted	Cottered	Riveted	
<b>TSUBAKI®</b> PART #	4857	29292	29293	29294	29295	29296	29297	29298	29299	29300	Call Us	Call Us	



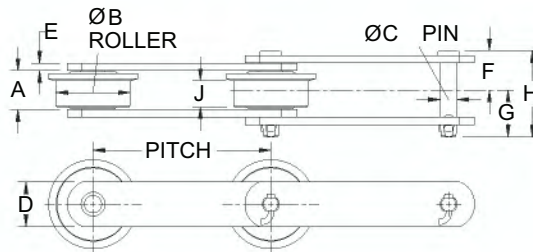
# 6.000" to 8.000" Pitch Roller Conveyor Chains



STYLE 2



STYLE 4



STYLE 5

Chain Number	Pitch	Style	Attachment Detail	Dimensions										AUS (lbs.)	Max Working Load (lbs.)
				Inside Width	Roller Diameter	Pin Diameter	Sidebar Height	Sidebar Thickness	Pin Head to CL	Pin End to CL	Overall Width	Roller Face Width			
				A	B	C	D	E	F	G	H	J			
US196R	6.000	4	See Page 70	1.12	2.00	0.44	1.25	0.25	1.20	1.42	2.62	-	18,000	2,500	
604R	6.000	4	See Page 72	1.31	2.00	0.56	1.50	0.25	1.31	1.59	2.91	-	21,000	3,500	
607R	6.000	4	See Page 74	1.31	2.50	0.56	1.50	0.25	1.33	1.58	2.91	-	21,000	3,500	
603R	6.000	4	See Page 76	1.31	2.50	0.56	1.50	0.25	1.33	1.58	2.91	-	21,000	3,500	
86R	6.000	4	See Page 77	1.31	2.00	0.62	1.50	0.25	1.33	1.61	2.94	-	22,000	3,600	
627R	6.000	4	See Page 78	1.31	2.00	0.62	1.50	0.31	1.47	1.75	3.22	-	26,000	4,250	
628RX	6.000	4	See Page 79	1.31	2.25	0.63	1.75	0.38	1.59	1.88	3.47	-	38,600	4,500	
626R	6.000	4	See Page 80	1.31	3.00	0.62	2.00	0.38	1.59	1.87	3.47	-	28,000	4,500	
629R	6.000	4	See Page 81	1.50	3.00	0.62	1.50	0.31	1.56	1.84	3.41	-	26,000	4,650	
625R	6.000	4	See Page 82	1.69	3.00	0.62	2.00	0.25	1.52	1.80	3.33	-	25,000	4,750	
CC5 <sup>1</sup>	6.000	4	See Page 83	1.38	2.50	0.69	2.50	0.31	1.50	1.66	3.16	-	50,000	4,800	
631R	6.000	4	See Page 84	1.38	3.00	0.75	2.00	0.38	1.66	2.03	3.69	-	38,000	5,600	
614R	6.000	4	See Page 85	1.38	2.50	0.75	2.00	0.38	1.66	2.03	3.69	-	38,000	5,600	
1131R	6.000	4	See Page 87	1.50	3.00	0.75	2.00	0.38	1.69	2.09	3.78	-	47,000	5,900	
96RX	6.000	4	See Page 88	1.50	2.75	0.75	2.00	0.38	1.69	2.09	3.78	-	70,000	5,900	
2184RX	6.000	2	See Page 89	1.38	3.00	0.88	2.00	0.38	1.72	2.03	3.75	-	75,000	6,500	
2178RX	6.000	4	See Page 90	1.50	2.75	0.88	2.25	0.38	1.72	2.09	3.81	-	85,000	6,900	
B663R	6.000	5	See Page 92	2.00	3.00	0.75	2.00	0.38	1.97	2.34	4.31	1.47	41,000	7,200	
610R	6.000	4	See Page 93	1.69	2.75	0.88	2.25	0.38	1.81	2.19	4.00	-	45,000	7,450	
2198RX	6.000	4	See Page 95	1.50	2.75	0.88	2.25	0.50	2.03	2.38	4.41	-	100,000	7,700	
800RX	8.000	4	See Page 96	1.81	3.50	1.00	3.00	0.50	2.19	2.62	4.81	-	125,000	9,800	

<sup>1</sup> CC-5 has high sidebar as standard.




**STYLE 1**

- Offset Sidebars
- Rollers Equal to or Less than Sidebar Height


**STYLE 2**

- Offset Sidebars
- Rollers Greater than Sidebar Height


**STYLE 3**

- Straight Sidebars
- Rollers Equal to or Less than Sidebar Height


**STYLE 4**

- Straight Sidebars
- Rollers Greater than Sidebar Height


**STYLE 5**

- Straight Sidebars
- Flanged Rollers Greater than Sidebar Height


**STYLE 6**

- Straight, High Sidebars
- Rollers Slightly Greater than Lower Sidebar



# ROLLER CONVEYOR CHAINS

## US196R CHAIN

6.000" PITCH

Average Ultimate Strength: 18,000 lbs

Upgrades Available:

Max Working Load: 2,500 lbs

Pitches Per Foot: 2.00



**TITAN™**  
XL



US196R CHAIN - PLAIN					Weight (lbs/ft): 3.90	
<b>PLAIN CHAIN</b>						
	STANDARD SIDEBAR		HIGH SIDEBAR			
PIN TYPE	Cottered	Riveted	Cottered	Riveted		
TSUBAKI® PART #	11813	-	25520	-		

US196R CHAIN - A1 ATTACHMENT								Weight 1L (lbs/ft): 5.60				
ATTACHMENT SPACING	1L		2L		3L		4L		5L		> 5L	
PIN TYPE	Cottered	Riveted	Cottered	Riveted	Cottered	Riveted	Cottered	Riveted	Cottered	Riveted	Cottered	Riveted
TSUBAKI® PART #	28958	-	11561	-	28961	-	28963	-	28965	-	Call Us	-

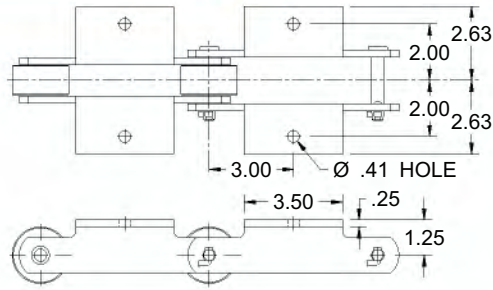
US196R CHAIN - A2 ATTACHMENT								Weight 1L (lbs/ft): 5.60				
ATTACHMENT SPACING	1L		2L		3L		4L		5L		> 5L	
PIN TYPE	Cottered	Riveted	Cottered	Riveted	Cottered	Riveted	Cottered	Riveted	Cottered	Riveted	Cottered	Riveted
TSUBAKI® PART #	14438	-	11406	-	12156	-	13744	-	20617	-	Call Us	-

Riveted Construction available upon request

Don't see what you need? Call us at 1-800-323-7790 and we will make it!

## US196R CHAIN - K1 ATTACHMENT

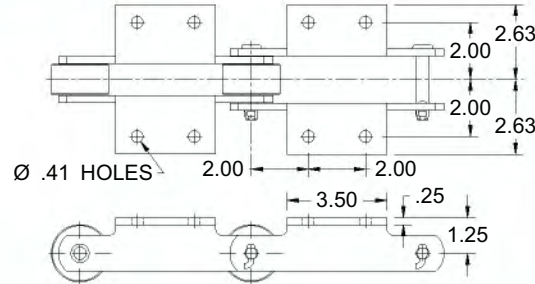
Weight 1L (lbs/ft): **6.70**



ATTACHMENT SPACING	1L		2L		3L		4L		5L		> 5L	
PIN TYPE	Cottered	Riveted	Cottered	Riveted	Cottered	Riveted	Cottered	Riveted	Cottered	Riveted	Cottered	Riveted
<b>TSUBAKI</b> <sup>®</sup> PART #	28967	-	28969	-	28971	-	28973	-	28975	-	Call Us	-

## US196R CHAIN - K2 ATTACHMENT

Weight 1L (lbs/ft): **6.60**



ATTACHMENT SPACING	1L		2L		3L		4L		5L		> 5L	
PIN TYPE	Cottered	Riveted	Cottered	Riveted	Cottered	Riveted	Cottered	Riveted	Cottered	Riveted	Cottered	Riveted
<b>TSUBAKI</b> <sup>®</sup> PART #	12255	-	13476	-	20613	-	20614	-	20615	-	Call Us	-

*Riveted Construction available upon request*

07.2019

# ROLLER CONVEYOR CHAINS

## 604R CHAIN

6.000" PITCH

Average Ultimate Strength: 21,000 lbs

Max Working Load: 3,500 lbs

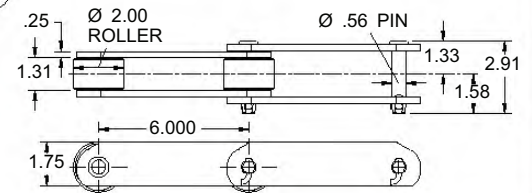
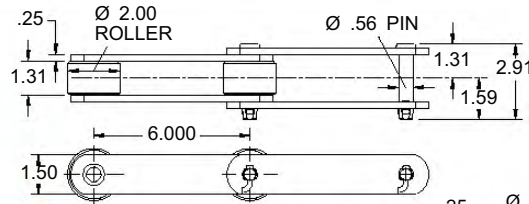
Pitches Per Foot: 2.00

Upgrades Available:



### 604R CHAIN - PLAIN

Weight (lbs/ft): 5.70

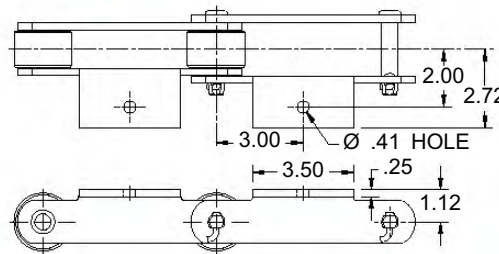


#### PLAIN CHAIN

PIN TYPE	STANDARD SIDEBAR		HIGH SIDEBAR	
	Cottered	Riveted	Cottered	Riveted
TSUBAKI® PART #	3555	-	28987	-

### 604R CHAIN - A1 ATTACHMENT

Weight 1L (lbs/ft): 6.10



#### ATTACHMENT SPACING

1L

2L

3L

4L

5L

> 5L

#### PIN TYPE

Cottered

Riveted

Cottered

Riveted

Cottered

Riveted

Cottered

Riveted

Cottered

Riveted

Cottered

Riveted

#### TSUBAKI® PART #

19319

-

19725

-

28991

-

28993

-

28995

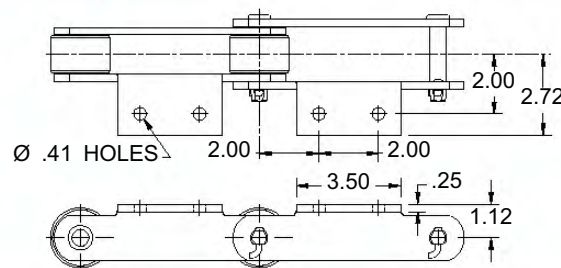
-

Call Us

-

### 604R CHAIN - A2 ATTACHMENT

Weight 1L (lbs/ft): 6.10



#### ATTACHMENT SPACING

1L

2L

3L

4L

5L

> 5L

#### PIN TYPE

Cottered

Riveted

Cottered

Riveted

Cottered

Riveted

Cottered

Riveted

Cottered

Riveted

Cottered

Riveted

#### TSUBAKI® PART #

2260

-

3204

-

20622

-

15727

-

20623

-

Call Us

-

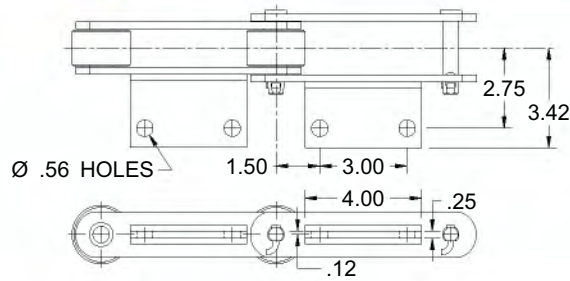
Riveted Construction available upon request

Don't see what you need? Call us at 1-800-323-7790 and we will make it!



### 604R - A11 ATTACHMENT

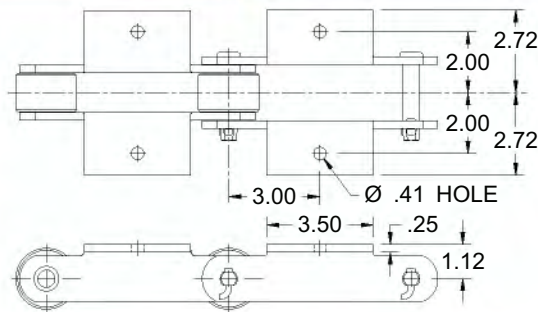
Weight 1L (lbs/ft): **6.60**



ATTACHMENT SPACING	1L		2L		3L		4L		5L		> 5L	
PIN TYPE	Cottered	Riveted	Cottered	Riveted	Cottered	Riveted	Cottered	Riveted	Cottered	Riveted	Cottered	Riveted
TSUBAKI® PART #	22811	-	22991	-	29009	-	21960U	-	29012	-	Call Us	-

### 604R CHAIN - K1 ATTACHMENT

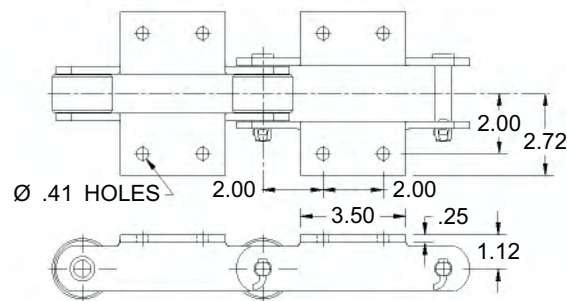
Weight 1L (lbs/ft): **7.10**



ATTACHMENT SPACING	1L		2L		3L		4L		5L		> 5L	
PIN TYPE	Cottered	Riveted	Cottered	Riveted	Cottered	Riveted	Cottered	Riveted	Cottered	Riveted	Cottered	Riveted
TSUBAKI® PART #	28997	-	28999	-	29001	-	29003	-	29005	-	Call Us	-

### 604R CHAIN - K2 ATTACHMENT

Weight 1L (lbs/ft): **7.00**



ATTACHMENT SPACING	1L		2L		3L		4L		5L		> 5L	
PIN TYPE	Cottered	Riveted	Cottered	Riveted	Cottered	Riveted	Cottered	Riveted	Cottered	Riveted	Cottered	Riveted
TSUBAKI® PART #	4071	-	18237	-	20619	-	20620	-	20621	-	Call Us	-

*Riveted Construction available upon request*

# ROLLER CONVEYOR CHAINS

## 607R CHAIN

6.000" PITCH

Average Ultimate Strength: 21,000 lbs

Max Working Load: 3,500 lbs

Pitches Per Foot: 2.00

Upgrades Available:



TITAN™  
XL



607R CHAIN - PLAIN			Weight (lbs / ft): 6.70
PLAIN CHAIN			
PIN TYPE	Cottered	Riveted	
TSUBAKI® PART #	4295	-	

607R CHAIN - A1 ATTACHMENT						Weight 1L (lbs/ft): 7.70						
ATTACHMENT SPACING	1L		2L		3L		4L		5L		> 5L	
PIN TYPE	Cottered	Riveted	Cottered	Riveted	Cottered	Riveted	Cottered	Riveted	Cottered	Riveted	Cottered	Riveted
TSUBAKI® PART #	29026	-	29028	-	29030	-	29032	-	29034	-	Call Us	-

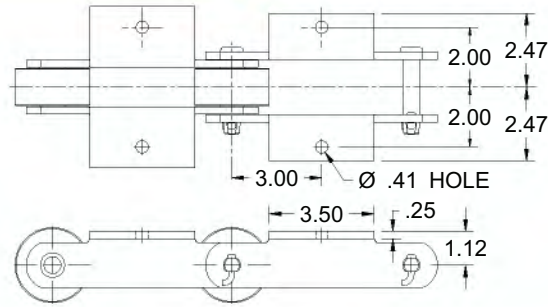
607R CHAIN - A2 ATTACHMENT						Weight 1L (lbs/ft): 7.60						
ATTACHMENT SPACING	1L		2L		3L		4L		5L		> 5L	
PIN TYPE	Cottered	Riveted	Cottered	Riveted	Cottered	Riveted	Cottered	Riveted	Cottered	Riveted	Cottered	Riveted
TSUBAKI® PART #	4710	-	15735	-	20628	-	20629	-	17653	-	Call Us	-

Riveted Construction available upon request

Don't see what you need? Call us at 1-800-323-7790 and we will make it!

## 607R CHAIN - K1 ATTACHMENT

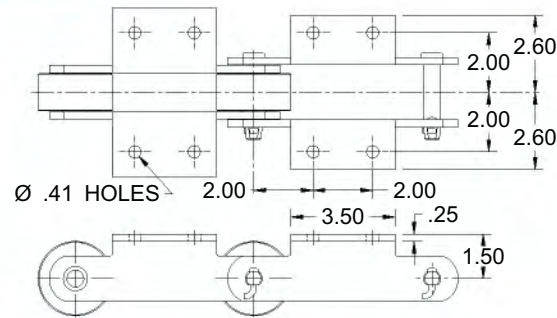
Weight 1L (lbs/ft): **8.50**



ATTACHMENT SPACING	1L		2L		3L		4L		5L		> 5L	
PIN TYPE	Cottered	Riveted	Cottered	Riveted	Cottered	Riveted	Cottered	Riveted	Cottered	Riveted	Cottered	Riveted
TSUBAKI® PART #	29036	-	29038	-	29040	-	29042	-	29044	-	Call Us	-

## 607R CHAIN - K2 ATTACHMENT

Weight 1L (lbs/ft): **8.90**



ATTACHMENT SPACING	1L		2L		3L		4L		5L		> 5L	
PIN TYPE	Cottered	Riveted	Cottered	Riveted	Cottered	Riveted	Cottered	Riveted	Cottered	Riveted	Cottered	Riveted
TSUBAKI® PART #	3826	-	12742	-	20624	-	20625	-	20626	-	Call Us	-

*Riveted Construction available upon request*

07.2019

# ROLLER CONVEYOR CHAINS

## 603R CHAIN

6.000" PITCH

Average Ultimate Strength: 21,000 lbs  
 Max Working Load: 3,500 lbs  
 Pitches Per Foot: 2.00

Upgrades Available:



603R CHAIN - PLAIN			Weight (lbs/ft): 6.80
PLAIN CHAIN			
PIN TYPE	Cottered	Riveted	
TSUBAKI® PART #	1316	-	

603R CHAIN - A2 ATTACHMENT			Weight 1L (lbs/ft): 7.90									
ATTACHMENT SPACING	1L		2L		3L		4L		5L		> 5L	
PIN TYPE	Cottered	Riveted	Cottered	Riveted	Cottered	Riveted	Cottered	Riveted	Cottered	Riveted	Cottered	Riveted
TSUBAKI® PART #	23770	-	29058	-	29060	-	29062	-	29064	-	Call Us	-

603R CHAIN - K2 ATTACHMENT			Weight 1L (lbs/ft): 9.20									
ATTACHMENT SPACING	1L		2L		3L		4L		5L		> 5L	
PIN TYPE	Cottered	Riveted	Cottered	Riveted	Cottered	Riveted	Cottered	Riveted	Cottered	Riveted	Cottered	Riveted
TSUBAKI® PART #	13302	-	29067	-	29069	-	29071	-	29073	-	Call Us	-

Riveted Construction available upon request

Don't see what you need? Call us at 1-800-323-7790 and we will make it!

# ROLLER CONVEYOR CHAINS

## 86R CHAIN

6.000" PITCH

Average Ultimate Strength: 22,000 lbs  
 Max Working Load: 3,600 lbs  
 Pitches Per Foot: 2.00

Upgrades Available:

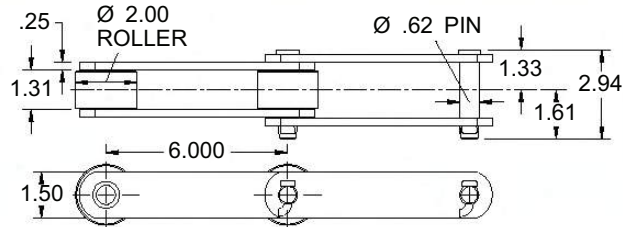


TITAN™  
XL



### 86R CHAIN - PLAIN

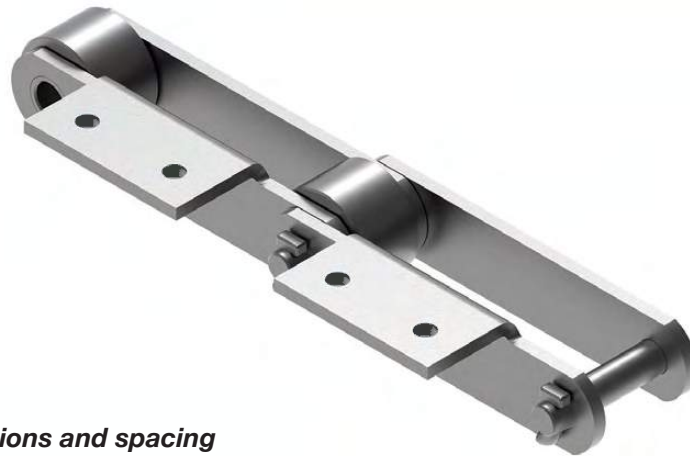
Weight (lbs/ft): 6.80



#### PLAIN CHAIN

PIN TYPE	Cottered	Riveted
TSUBAKI® PART #	26892	-

### 86R CHAIN - A2 ATTACHMENT



*Consult factory for dimensions and spacing*

### 86R CHAIN - K2 ATTACHMENT



*Consult factory for dimensions and spacing*

*Riveted Construction available upon request*

07.2019

# ROLLER CONVEYOR CHAINS

## 627R CHAIN

6.000" PITCH

Average Ultimate Strength: 26,000 lbs  
 Max Working Load: 4,250 lbs  
 Pitches Per Foot: 2.00

Upgrades Available:



TITAN™  
XL



<b>627R CHAIN - PLAIN</b>		Weight (lbs/ft): <b>6.30</b>
<b>PLAIN CHAIN</b>		
PIN TYPE	Cottered	Riveted
TSUBAKI® PART #	10292	-

<b>627R CHAIN - A2 ATTACHMENT</b>		Weight 1L (lbs/ft): <b>7.40</b>											
ATTACHMENT SPACING	1L		2L		3L		4L		5L		> 5L		
PIN TYPE	Cottered	Riveted	Cottered	Riveted	Cottered	Riveted	Cottered	Riveted	Cottered	Riveted	Cottered	Riveted	
TSUBAKI® PART #	16522	-	20662	-	20663	-	20664	-	20665	-	Call Us	-	

<b>627R CHAIN - K2 ATTACHMENT</b>		Weight 1L (lbs/ft): <b>8.50</b>											
ATTACHMENT SPACING	1L		2L		3L		4L		5L		> 5L		
PIN TYPE	Cottered	Riveted	Cottered	Riveted	Cottered	Riveted	Cottered	Riveted	Cottered	Riveted	Cottered	Riveted	
TSUBAKI® PART #	21722	-	21723	-	29092	-	29094	-	29096	-	Call Us	-	

*Riveted Construction available upon request*

**Don't see what you need? Call us at 1-800-323-7790 and we will make it!**

# ROLLER CONVEYOR CHAINS

## 628RX CHAIN

6.000" PITCH

Average Ultimate Strength: 38,600 lbs  
 Max Working Load: 4,500 lbs  
 Pitches Per Foot: 2.00

Upgrades Available:



TITAN™ XL



<b>628RX CHAIN - PLAIN</b>			Weight (lbs/ft): <b>8.70</b>
<b>PLAIN CHAIN</b>			
PIN TYPE	Cottered	Riveted	
<b>TSUBAKI® PART #</b>	29109	-	

<b>628RX CHAIN - A2 ATTACHMENT</b>						Weight 1L (lbs/ft): <b>10.60</b>						
<b>ATTACHMENT SPACING</b>	1L		2L		3L		4L		5L		> 5L	
PIN TYPE	Cottered	Riveted	Cottered	Riveted	Cottered	Riveted	Cottered	Riveted	Cottered	Riveted	Cottered	Riveted
<b>TSUBAKI® PART #</b>	29111	-	29113	-	29115	-	29117	-	29119	-	Call Us	-

<b>628RX CHAIN - K2 ATTACHMENT</b>						Weight 1L (lbs/ft): <b>12.50</b>						
<b>ATTACHMENT SPACING</b>	1L		2L		3L		4L		5L		> 5L	
PIN TYPE	Cottered	Riveted	Cottered	Riveted	Cottered	Riveted	Cottered	Riveted	Cottered	Riveted	Cottered	Riveted
<b>TSUBAKI® PART #</b>	29121	-	29123	-	29125	-	29127	-	29159	-	Call Us	-

Riveted Construction available upon request

07.2019

# ROLLER CONVEYOR CHAINS

## 626R CHAIN

6.000" PITCH

Average Ultimate Strength: 28,000 lbs  
 Max Working Load: 4,500 lbs  
 Pitches Per Foot: 2.00

Upgrades Available:



626R CHAIN - PLAIN			Weight (lbs/ft): 11.60
PLAIN CHAIN			
PIN TYPE	Cottered	Riveted	
TSUBAKI® PART #	3506	-	

626R CHAIN - A2 ATTACHMENT						Weight 1L (lbs/ft): 13.20						
ATTACHMENT SPACING	1L		2L		3L		4L		5L		> 5L	
PIN TYPE	Cottered	Riveted	Cottered	Riveted	Cottered	Riveted	Cottered	Riveted	Cottered	Riveted	Cottered	Riveted
TSUBAKI® PART #	15548	-	20657	-	20658	-	20659	-	20660	-	Call Us	-

626R CHAIN - K2 ATTACHMENT						Weight 1L (lbs/ft): 14.90						
ATTACHMENT SPACING	1L		2L		3L		4L		5L		> 5L	
PIN TYPE	Cottered	Riveted	Cottered	Riveted	Cottered	Riveted	Cottered	Riveted	Cottered	Riveted	Cottered	Riveted
TSUBAKI® PART #	11627	-	20652	-	20653	-	20654	-	20655	-	Call Us	-

Riveted Construction available upon request

Don't see what you need? Call us at 1-800-323-7790 and we will make it!



# ROLLER CONVEYOR CHAINS

## 629R CHAIN

6.000" PITCH

Average Ultimate Strength: 26,000 lbs  
 Max Working Load: 4,650 lbs  
 Pitches Per Foot: 2.00

Upgrades Available:



TITAN™  
XL



629R CHAIN - PLAIN			Weight (lbs/ft): 9.50
PLAIN CHAIN			
PIN TYPE	Cottered	Riveted	
TSUBAKI® PART #	12744	-	

629R CHAIN - A2 ATTACHMENT			Weight 1L (lbs/ft): 11.00									
ATTACHMENT SPACING	1L		2L		3L		4L		5L		> 5L	
PIN TYPE	Cottered	Riveted	Cottered	Riveted	Cottered	Riveted	Cottered	Riveted	Cottered	Riveted	Cottered	Riveted
TSUBAKI® PART #	3936	-	20671	-	20672	-	20673	-	20674	-	Call Us	-

629R CHAIN - K2 ATTACHMENT			Weight 1L(lbs/ft): 12.60									
ATTACHMENT SPACING	1L		2L		3L		4L		5L		> 5L	
PIN TYPE	Cottered	Riveted	Cottered	Riveted	Cottered	Riveted	Cottered	Riveted	Cottered	Riveted	Cottered	Riveted
TSUBAKI® PART #	12937	-	20339	-	20667	-	20668	-	20669	-	Call Us	-

Riveted Construction available upon request

07.2019

# ROLLER CONVEYOR CHAINS 625R CHAIN

6.000" PITCH

Average Ultimate Strength: 25,000 lbs  
Max Working Load: 4,750 lbs  
Pitches Per Foot: 2.00

Upgrades Available:



TITAN™  
XL



<b>625R CHAIN - PLAIN</b>		Weight (lbs/ft): <b>10.30</b>
<b>PLAIN CHAIN</b>		
PIN TYPE	Cottered	Riveted
<b>TSUBAKI®</b> PART #	3689	-

<b>625R CHAIN - A2 ATTACHMENT</b>		Weight 1L (lbs/ft): <b>11.70</b>											
ATTACHMENT SPACING	1L		2L		3L		4L		5L		> 5L		
PIN TYPE	Cottered	Riveted	Cottered	Riveted	Cottered	Riveted	Cottered	Riveted	Cottered	Riveted	Cottered	Riveted	
<b>TSUBAKI®</b> PART #	10331	-	18300	-	20649	-	20650	-	20651	-	Call Us	-	

Riveted Construction available upon request

Don't see what you need? Call us at 1-800-323-7790 and we will make it!

Average Ultimate Strength: 50,000 lbs

Max Working Load: 4,800 lbs

Pitches Per Foot: 2.00

Upgrades Available:



<b>CC5 CHAIN - PLAIN</b>	Weight (lbs/ft): <b>11.00</b>		
<b>PLAIN CHAIN</b>			
PIN TYPE	Cottered	Riveted	
UNION® PART #	P-3770	-	

<b>CC5 CHAIN - TOP ROLLER ATTACHMENT</b>	Weight 2L (lbs/ft): <b>11.60</b>			
ATTACHMENT SPACING	2L		4L	
PIN TYPE	Cottered	Riveted	Cottered	Riveted
TSUBAKI® PART #	-	-	26279	-
UNION® PART #	P-6295	-	-	-

*Riveted Construction available upon request*

# 631R CHAIN

Average Ultimate Strength: 38,000 lbs

Max Working Load: 5,600 lbs

Pitches Per Foot: 2.00

Upgrades Available:



<b>631R CHAIN - PLAIN</b>	Weight (lbs/ft): <b>12.30</b>									
<table border="1" style="width:100%; border-collapse: collapse;"> <tr> <th colspan="3" style="background-color: #0070C0; color: white;">PLAIN CHAIN</th> </tr> <tr> <th style="width: 15%;">PIN TYPE</th> <th style="width: 35%;">Cottered</th> <th style="width: 50%;">Riveted</th> </tr> <tr> <td style="background-color: #0070C0; color: white;">TSUBAKI® PART #</td> <td style="text-align: center;">4477</td> <td style="text-align: center;">-</td> </tr> </table>		PLAIN CHAIN			PIN TYPE	Cottered	Riveted	TSUBAKI® PART #	4477	-
PLAIN CHAIN										
PIN TYPE	Cottered	Riveted								
TSUBAKI® PART #	4477	-								

<b>631R CHAIN - A2 ATTACHMENT</b>	Weight 1L (lbs/ft): <b>14.50</b>																																							
<table border="1" style="width:100%; border-collapse: collapse;"> <tr> <th style="width: 10%;">ATTACHMENT SPACING</th> <th colspan="2">1L</th> <th colspan="2">2L</th> <th colspan="2">3L</th> <th colspan="2">4L</th> <th colspan="2">5L</th> <th colspan="2">&gt; 5L</th> </tr> <tr> <th>PIN TYPE</th> <td>Cottered</td><td>Riveted</td> <td>Cottered</td><td>Riveted</td> <td>Cottered</td><td>Riveted</td> <td>Cottered</td><td>Riveted</td> <td>Cottered</td><td>Riveted</td> <td>Cottered</td><td>Riveted</td> </tr> <tr> <th>TSUBAKI® PART #</th> <td>14120</td><td>-</td> <td>29142</td><td>-</td> <td>22886</td><td>-</td> <td>29145</td><td>-</td> <td>29147</td><td>-</td> <td>Call Us</td><td>-</td> </tr> </table>	ATTACHMENT SPACING	1L		2L		3L		4L		5L		> 5L		PIN TYPE	Cottered	Riveted	Cottered	Riveted	Cottered	Riveted	Cottered	Riveted	Cottered	Riveted	Cottered	Riveted	TSUBAKI® PART #	14120	-	29142	-	22886	-	29145	-	29147	-	Call Us	-	
ATTACHMENT SPACING	1L		2L		3L		4L		5L		> 5L																													
PIN TYPE	Cottered	Riveted	Cottered	Riveted	Cottered	Riveted	Cottered	Riveted	Cottered	Riveted	Cottered	Riveted																												
TSUBAKI® PART #	14120	-	29142	-	22886	-	29145	-	29147	-	Call Us	-																												

<b>631R CHAIN - K2 ATTACHMENT</b>	Weight 1L (lbs/ft): <b>16.70</b>																																							
<table border="1" style="width:100%; border-collapse: collapse;"> <tr> <th style="width: 10%;">ATTACHMENT SPACING</th> <th colspan="2">1L</th> <th colspan="2">2L</th> <th colspan="2">3L</th> <th colspan="2">4L</th> <th colspan="2">5L</th> <th colspan="2">&gt; 5L</th> </tr> <tr> <th>PIN TYPE</th> <td>Cottered</td><td>Riveted</td> <td>Cottered</td><td>Riveted</td> <td>Cottered</td><td>Riveted</td> <td>Cottered</td><td>Riveted</td> <td>Cottered</td><td>Riveted</td> <td>Cottered</td><td>Riveted</td> </tr> <tr> <th>TSUBAKI® PART #</th> <td>29149</td><td>-</td> <td>29151</td><td>-</td> <td>29153</td><td>-</td> <td>29155</td><td>-</td> <td>29157</td><td>-</td> <td>Call Us</td><td>-</td> </tr> </table>	ATTACHMENT SPACING	1L		2L		3L		4L		5L		> 5L		PIN TYPE	Cottered	Riveted	Cottered	Riveted	Cottered	Riveted	Cottered	Riveted	Cottered	Riveted	Cottered	Riveted	TSUBAKI® PART #	29149	-	29151	-	29153	-	29155	-	29157	-	Call Us	-	
ATTACHMENT SPACING	1L		2L		3L		4L		5L		> 5L																													
PIN TYPE	Cottered	Riveted	Cottered	Riveted	Cottered	Riveted	Cottered	Riveted	Cottered	Riveted	Cottered	Riveted																												
TSUBAKI® PART #	29149	-	29151	-	29153	-	29155	-	29157	-	Call Us	-																												

*Riveted Construction available upon request*

**Don't see what you need? Call us at 1-800-323-7790 and we will make it!**

# 614R CHAIN

Average Ultimate Strength: 38,000 lbs

Max Working Load: 5,600 lbs

Pitches Per Foot: 2.00

Upgrades Available:



<b>614R CHAIN - PLAIN</b>			Weight (lbs/ft): <b>10.70</b>
<b>PLAIN CHAIN</b>			
PIN TYPE	Cottered	Riveted	
TSUBAKI® PART #	4141	-	

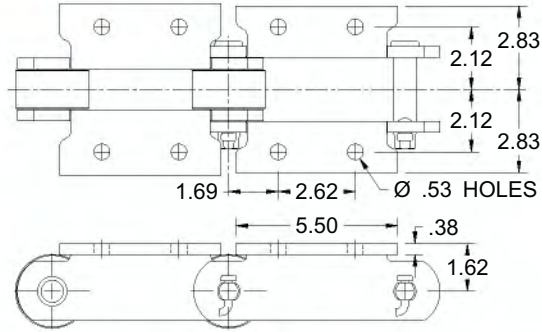
<b>614R CHAIN - A2 ATTACHMENT</b>												Weight 1L (lbs/ft): <b>12.90</b>
ATTACHMENT SPACING	1L		2L		3L		4L		5L		> 5L	
PIN TYPE	Cottered	Riveted	Cottered	Riveted	Cottered	Riveted	Cottered	Riveted	Cottered	Riveted	Cottered	Riveted
TSUBAKI® PART #	10220	-	20521	-	19279	-	17456	-	16040	-	Call Us	-

<b>614R CHAIN - A11 ATTACHMENT</b>												Weight 1L (lbs/ft): <b>12.70</b>
ATTACHMENT SPACING	1L		2L		3L		4L		5L		> 5L	
PIN TYPE	Cottered	Riveted	Cottered	Riveted	Cottered	Riveted	Cottered	Riveted	Cottered	Riveted	Cottered	Riveted
TSUBAKI® PART #	15831	-	22899	-	22903	-	22904	-	22905	-	Call Us	-

*Riveted Construction available upon request*

**614R CHAIN - K2 ATTACHMENT**

Weight 1L (lbs/ft): **15.10**



ATTACHMENT SPACING	1L		2L		3L		4L		5L		> 5L	
	Cottered	Riveted	Cottered	Riveted	Cottered	Riveted	Cottered	Riveted	Cottered	Riveted	Cottered	Riveted
<b>TSUBAKI</b> <sup>®</sup> PART #	4603	-	15601	-	13169	-	20640	-	20641	-	Call Us	-

*Riveted Construction available upon request*

*Don't see what you need? Call us at 1-800-323-7790 and we will make it!*

# ROLLER CONVEYOR CHAINS

## 1131R CHAIN

6.000" PITCH

Average Ultimate Strength: 47,000 lbs  
 Max Working Load: 5,900 lbs  
 Pitches Per Foot: 2.00

Upgrades Available:



1131R CHAIN - PLAIN			Weight (lbs/ft): 12.70
PLAIN CHAIN			
PIN TYPE	Cottered	Riveted	
TSUBAKI® PART #	4280	-	

1131R CHAIN - A2 ATTACHMENT						Weight 1L (lbs/ft): 15.80						
ATTACHMENT SPACING	1L		2L		3L		4L		5L		> 5L	
PIN TYPE	Cottered	Riveted	Cottered	Riveted	Cottered	Riveted	Cottered	Riveted	Cottered	Riveted	Cottered	Riveted
TSUBAKI® PART #	19607	-	24580	-	29197	-	29198	-	29199	-	Call Us	-

1131R CHAIN - K2 ATTACHMENT						Weight 1L (lbs/ft): 18.90						
ATTACHMENT SPACING	1L		2L		3L		4L		5L		> 5L	
PIN TYPE	Cottered	Riveted	Cottered	Riveted	Cottered	Riveted	Cottered	Riveted	Cottered	Riveted	Cottered	Riveted
TSUBAKI® PART #	4526	-	24692	-	29200	-	29201	-	29202	-	Call Us	-

Riveted Construction available upon request

07.2019

# ROLLER CONVEYOR CHAINS

## 96RX CHAIN

6.000" PITCH

Average Ultimate Strength: 70,000 lbs  
 Max Working Load: 5,900 lbs  
 Pitches Per Foot: 2.00

Upgrades Available:



TITAN™  
XL



96RX CHAIN - PLAIN			Weight (lbs/ft): 11.60
PLAIN CHAIN			
PIN TYPE	Cottered	Riveted	
TSUBAKI® PART #	10428	-	

96RX CHAIN - A2 ATTACHMENT						Weight 1L (lbs/ft): 13.90						
ATTACHMENT SPACING	1L		2L		3L		4L		5L		> 5L	
PIN TYPE	Cottered	Riveted	Cottered	Riveted	Cottered	Riveted	Cottered	Riveted	Cottered	Riveted	Cottered	Riveted
TSUBAKI® PART #	10790	-	20608	-	20609	-	20610	-	20611	-	Call Us	-

96RX CHAIN - K2 ATTACHMENT						Weight 1L (lbs/ft): 16.00						
ATTACHMENT SPACING	1L		2L		3L		4L		5L		> 5L	
PIN TYPE	Cottered	Riveted	Cottered	Riveted	Cottered	Riveted	Cottered	Riveted	Cottered	Riveted	Cottered	Riveted
TSUBAKI® PART #	10441	-	17216	-	20605	-	20606	-	20607	-	Call Us	-

Riveted Construction available upon request

Don't see what you need? Call us at 1-800-323-7790 and we will make it!



# ROLLER CONVEYOR CHAINS 2184RX CHAIN

6.000" PITCH

Average Ultimate Strength: 75,000 lbs  
Max Working Load: 6,500 lbs  
Pitches Per Foot: 2.00

Upgrades Available:



<b>2184RX CHAIN - PLAIN</b>		Weight (lbs/ft): <b>11.70</b>
<b>PLAIN CHAIN</b>		
PIN TYPE	Cottered	Riveted
<b>TSUBAKI</b> PART #	19107	-
<b>UNION</b> PART #	P-4150	-

<b>2184RX CHAIN - A42 ATTACHMENT</b>		Weight 3L (lbs/ft): <b>12.40</b>									
ATTACHMENT SPACING	3L		4L		5L		6L		> 6L		
PIN TYPE	Cottered	Riveted	Cottered	Riveted	Cottered	Riveted	Cottered	Riveted	Cottered	Riveted	
<b>TSUBAKI</b> PART #	29194	-	22596	-	22022	-	29195	-	Call Us	-	

*Riveted Construction available upon request*

07.2019

# ROLLER CONVEYOR CHAINS 2178RX CHAIN

6.000" PITCH

Average Ultimate Strength: 85,000 lbs  
Max Working Load: 6,900 lbs  
Pitches Per Foot: 2.00

Upgrades Available:



TITAN™  
XL



<b>2178RX CHAIN - PLAIN</b>			Weight (lbs/ft): <b>12.90</b>
<b>PLAIN CHAIN</b>			
<b>PIN TYPE</b>	Cottered	Riveted	
<b>TSUBAKI® PART #</b>	29210	-	

<b>2178RX CHAIN - A2 ATTACHMENT</b>			Weight 1L (lbs/ft): <b>15.50</b>									
<b>ATTACHMENT SPACING</b>	1L		2L		3L		4L		5L		> 5L	
<b>PIN TYPE</b>	Cottered	Riveted	Cottered	Riveted	Cottered	Riveted	Cottered	Riveted	Cottered	Riveted	Cottered	Riveted
<b>TSUBAKI® PART #</b>	29211	-	23328	-	29212	-	29213	-	29214	-	Call Us	-

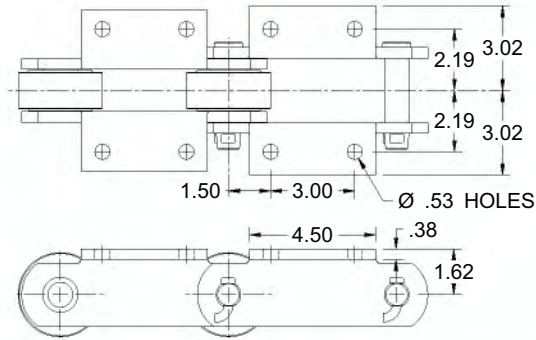
<b>2178RX CHAIN - A42 ATTACHMENT</b>			Weight 1L (lbs/ft): <b>17.20</b>									
<b>ATTACHMENT SPACING</b>	1L		2L		3L		4L		5L		> 5L	
<b>PIN TYPE</b>	Cottered	Riveted	Cottered	Riveted	Cottered	Riveted	Cottered	Riveted	Cottered	Riveted	Cottered	Riveted
<b>TSUBAKI® PART #</b>	29220	-	29221	-	29222	-	29223	-	29224	-	Call Us	-

Riveted Construction available upon request

Don't see what you need? Call us at 1-800-323-7790 and we will make it!

2178RX CHAIN - K2 ATTACHMENT

Weight 1L (lbs/ft): 17.20



ATTACHMENT SPACING	1L		2L		3L		4L		5L		> 5L	
	Cottered	Riveted	Cottered	Riveted	Cottered	Riveted	Cottered	Riveted	Cottered	Riveted	Cottered	Riveted
TSUBAKI® PART #	29215	-	29216	-	29217	-	29218	-	29219	-	Call Us	-

Riveted Construction available upon request

# ROLLER CONVEYOR CHAINS B663R CHAIN

6.000" PITCH

Average Ultimate Strength: 41,000 lbs  
Max Working Load: 7,200 lbs  
Pitches Per Foot: 2.00

Upgrades Available:



<b>B663R CHAIN - PLAIN</b>		Weight (lbs/ft): <b>14.60</b>									
<table border="1" style="width: 100%; border-collapse: collapse;"> <tr> <th colspan="3" style="background-color: #0070C0; color: white;">PLAIN CHAIN</th> </tr> <tr> <th style="width: 15%;">PIN TYPE</th> <th style="width: 35%;">Cottered</th> <th style="width: 50%;">Riveted</th> </tr> <tr> <td><b>TSUBAKI</b><sup>®</sup> PART #</td> <td>13509</td> <td>-</td> </tr> </table>			PLAIN CHAIN			PIN TYPE	Cottered	Riveted	<b>TSUBAKI</b> <sup>®</sup> PART #	13509	-
PLAIN CHAIN											
PIN TYPE	Cottered	Riveted									
<b>TSUBAKI</b> <sup>®</sup> PART #	13509	-									

<b>B663R CHAIN - A2 ATTACHMENT</b>		Weight 1L (lbs/ft): <b>16.80</b>											
ATTACHMENT SPACING	1L		2L		3L		4L		5L		> 5L		
PIN TYPE	Cottered	Riveted	Cottered	Riveted	Cottered	Riveted	Cottered	Riveted	Cottered	Riveted	Cottered	Riveted	
TSUBAKI <sup>®</sup> PART #	17619	-	20681	-	20682	-	20683	-	20684	-	Call Us	-	

<b>B663R CHAIN - K2 ATTACHMENT</b>		Weight 1L (lbs/ft): <b>19.00</b>											
ATTACHMENT SPACING	1L		2L		3L		4L		5L		> 5L		
PIN TYPE	Cottered	Riveted	Cottered	Riveted	Cottered	Riveted	Cottered	Riveted	Cottered	Riveted	Cottered	Riveted	
TSUBAKI <sup>®</sup> PART #	29184	-	29186	-	29188	-	29190	-	29192	-	Call Us	-	

*Riveted Construction available upon request*

Don't see what you need? Call us at 1-800-323-7790 and we will make it!

# ROLLER CONVEYOR CHAINS

## 610R CHAIN

6.000" PITCH

Average Ultimate Strength: 45,000 lbs  
 Max Working Load: 7,450 lbs  
 Pitches Per Foot: 2.00

Upgrades Available:



<b>610R CHAIN - PLAIN</b>		Weight (lbs/ft): <b>13.60</b>
<b>PLAIN CHAIN</b>		
PIN TYPE	Cottered	Riveted
<b>TSUBAKI® PART #</b>	12398	-

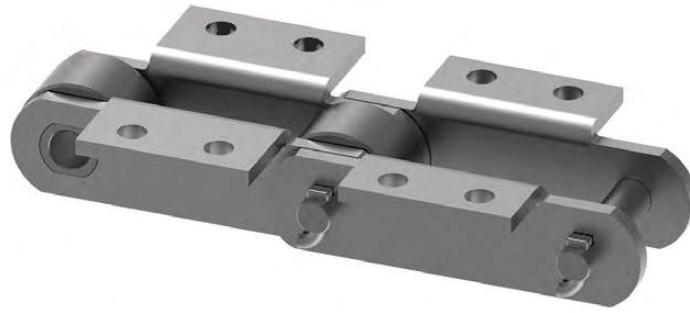
<b>610R CHAIN - A1 ATTACHMENT</b>		Weight 1L (lbs/ft): <b>15.30</b>											
ATTACHMENT SPACING	1L		2L		3L		4L		5L		> 5L		
PIN TYPE	Cottered	Riveted	Cottered	Riveted	Cottered	Riveted	Cottered	Riveted	Cottered	Riveted	Cottered	Riveted	
<b>TSUBAKI® PART #</b>	17367	-	20635	-	20636	-	20637	-	20638	-	Call Us	-	

<b>610R CHAIN - A2 ATTACHMENT</b>
<i>Consult factory for dimensions and spacing</i>

Riveted Construction available upon request

07.2019

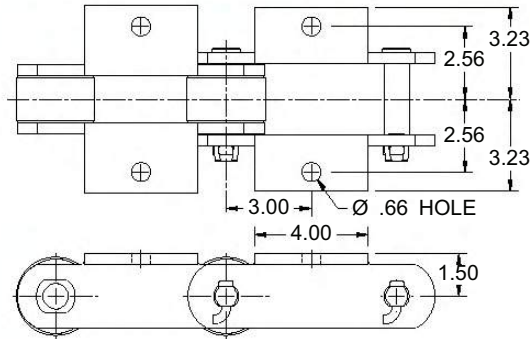
## 610R CHAIN - K2 ATTACHMENT



Consult factory for dimensions and spacing

## 610R CHAIN - K1 ATTACHMENT

Weight 1L (lbs/ft): 17.00



ATTACHMENT SPACING	1L		2L		3L		4L		5L		> 5L	
	Cottered	Riveted	Cottered	Riveted	Cottered	Riveted	Cottered	Riveted	Cottered	Riveted	Cottered	Riveted
TSUBAKI® PART #	11432	-	13575	-	20631	-	20632	-	20633	-	Call Us	-

Riveted Construction available upon request

Don't see what you need? Call us at 1-800-323-7790 and we will make it!

# ROLLER CONVEYOR CHAINS

## 2198RX CHAIN

6.000" PITCH

Average Ultimate Strength: 100,000 lbs

Max Working Load: 7,700 lbs

Pitches Per Foot: 2.00

Upgrades Available:



TITAN™  
XL



<b>2198RX CHAIN - PLAIN</b>		Weight (lbs/ft): <b>15.40</b>
<b>PLAIN CHAIN</b>		
PIN TYPE	Cottered	Riveted
<b>TSUBAKI®</b> PART #	11769	-

<b>2198RX CHAIN - A2 ATTACHMENT</b>		Weight 1L (lbs/ft): <b>17.90</b>											
ATTACHMENT SPACING	1L		2L		3L		4L		5L		> 5L		
PIN TYPE	Cottered	Riveted	Cottered	Riveted	Cottered	Riveted	Cottered	Riveted	Cottered	Riveted	Cottered	Riveted	
<b>TSUBAKI®</b> PART #	29203	-	29204	-	29205	-	29206	-	29207	-	Call Us	-	

<b>2198RX CHAIN - K2 ATTACHMENT</b>		Weight 1L (lbs/ft): <b>20.40</b>											
ATTACHMENT SPACING	1L		2L		3L		4L		5L		> 5L		
PIN TYPE	Cottered	Riveted	Cottered	Riveted	Cottered	Riveted	Cottered	Riveted	Cottered	Riveted	Cottered	Riveted	
<b>TSUBAKI®</b> PART #	10917	-	23922	-	29208	-	22028	-	29209	-	Call Us	-	

*Riveted Construction available upon request*

07.2019

# ROLLER CONVEYOR CHAINS

## 800RX CHAIN

8.000" PITCH

Average Ultimate Strength: 125,000 lbs  
 Max Working Load: 9,800 lbs  
 Pitches Per Foot: 1.50

Upgrades Available:



TITAN™ XL



<b>800RX CHAIN - PLAIN</b>			Weight (lbs/ft): <b>23.60</b>
<b>PLAIN CHAIN</b>			
PIN TYPE	Cottered	Riveted	
<b>TSUBAKI® PART #</b>	29225	-	

<b>800RX CHAIN - A2 ATTACHMENT</b>										Weight 1L (lbs/ft): <b>24.40</b>		
ATTACHMENT SPACING	1L		2L		3L		4L		5L		> 5L	
PIN TYPE	Cottered	Riveted	Cottered	Riveted	Cottered	Riveted	Cottered	Riveted	Cottered	Riveted	Cottered	Riveted
<b>TSUBAKI® PART #</b>	29226	-	29227	-	29228	-	29229	-	29230	-	Call Us	-

<b>800RX CHAIN - K2 ATTACHMENT</b>										Weight 1L (lbs/ft): <b>27.60</b>		
ATTACHMENT SPACING	1L		2L		3L		4L		5L		> 5L	
PIN TYPE	Cottered	Riveted	Cottered	Riveted	Cottered	Riveted	Cottered	Riveted	Cottered	Riveted	Cottered	Riveted
<b>TSUBAKI® PART #</b>	13328	-	29231	-	29232	-	29233	-	29234	-	Call Us	-

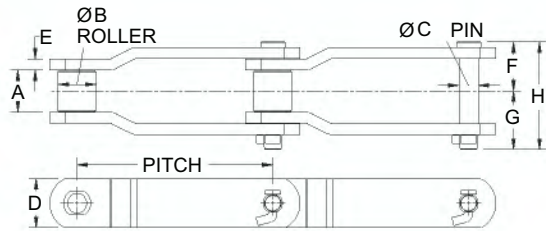
Riveted Construction available upon request

Don't see what you need? Call us at 1-800-323-7790 and we will make it!

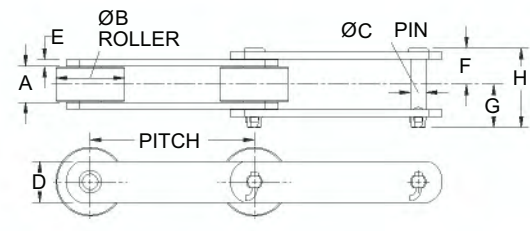




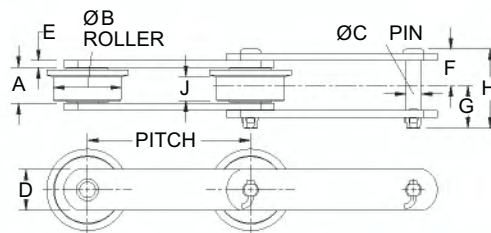
# 9.000" to 18.000" Pitch Roller Conveyor Chains



STYLE 1



STYLE 4



STYLE 5

Chain Number	Pitch	Style	Attachment Detail	Dimensions									AUS (lbs.)	Max Working Load (lbs.)
				Inside Width	Roller Diameter	Pin Diameter	Sidebar Height	Sidebar Thick	Pin Head to CL	Pin End to CL	Overall Width	Tread Width		
				A	B	C	D	E	F	G	H	J		
B912R	9.000	4	See Page 100	1.50	3.00	0.63	2.00	0.31	1.56	1.85	3.41	-	36,600	4,500
925R	9.000	5	See Page 101	1.69	3.00	0.63	2.00	0.25	1.52	1.80	3.33	1.13	45,300	4,800
B963R	9.000	5	See Page 102	2.00	3.50	0.75	2.00	0.38	1.97	2.34	4.31	1.25	53,400	7,200
D963R	9.000	4	See Page 103	2.00	3.50	0.75	2.00	0.38	1.97	2.34	4.31	-	53,400	7,200
4009	9.000	4	See Page 104	2.19	3.00	0.88	2.50	0.38	2.06	2.44	4.50	-	143,000	9,000
B964R	9.000	5	See Page 105	2.25	4.00	0.88	2.50	0.38	2.16	2.47	4.63	1.50	75,000	9,200
4004	9.000	4	See Page 106	2.63	3.00	1.00	2.50	0.50	2.59	3.04	5.63	-	121,000	12,700
4035	9.000	4	See Page 107	3.19	3.50	1.13	3.00	0.50	2.88	3.31	6.19	-	131,700	16,500
4065	9.000	4	See Page 108	3.06	4.25	1.25	3.50	0.63	3.06	3.50	6.56	-	226,000	18,900
4037	9.000	4	See Page 109	3.25	4.50	1.50	4.00	0.63	3.28	3.72	7.00	-	259,000	23,600
B1263R	12.000	5	See Page 110	2.00	3.50	0.75	2.00	0.38	1.97	2.34	4.31	1.25	53,400	7,200
D1263R	12.000	4	See Page 112	2.00	3.50	0.75	2.00	0.38	1.97	2.34	4.31	-	53,400	7,200
4251	12.000	1	See Page 114	1.94	1.75	0.88	2.00	0.50	2.25	2.56	4.81	-	61,200	8,750
B1264R	12.000	5	See Page 115	2.25	4.00	0.88	2.50	0.38	2.09	2.47	4.62	1.50	70,000	9,200
B1863R	18.000	5	See Page 117	2.00	3.50	0.75	2.00	0.38	1.97	2.34	4.31	1.25	53,400	7,200
B1864R	18.000	5	See Page 119	2.25	4.00	0.88	2.50	0.38	2.16	2.09	4.56	1.50	70,000	9,200

Riveted construction available upon request.



Don't see what you need? Call us at 1-800-323-7790 and we will make it!



**STYLE 1**

- Offset Sidebars
- Rollers Equal to or Less than Sidebar Height



**STYLE 2**

- Offset Sidebars
- Rollers Greater than Sidebar Height



**STYLE 3**

- Straight Sidebars
- Rollers Equal to or Less than Sidebar Height



**STYLE 4**

- Straight Sidebars
- Rollers Greater than Sidebar Height



**STYLE 5**

- Straight Sidebars
- Flanged Rollers Greater than Sidebar Height



**STYLE 6**

- Straight, High Sidebars
- Rollers Slightly Greater than Lower Sidebar



# ROLLER CONVEYOR CHAINS

## B912R CHAIN

9.000" PITCH

Average Ultimate Strength: 36,600 lbs

Max Working Load: 4,500 lbs

Pitches Per Foot: 1.33

Upgrades Available:



**TITAN™**  
XL



**SJ3™**  
Sealed Technology

<b>B912R CHAIN - PLAIN</b>		Weight (lbs/ft): <b>8.80</b>
<b>PLAIN CHAIN</b>		
<b>PIN TYPE</b>	Cottered	Riveted
<b>TSUBAKI® PART #</b>	10006	-

<b>B912R CHAIN - A2 ATTACHMENT (WELDED)</b>		Weight 1L (lbs/ft): <b>11.30</b>											
<b>ATTACHMENT SPACING</b>	<b>1L</b>		<b>2L</b>		<b>3L</b>		<b>4L</b>		<b>5L</b>		<b>&gt; 5L</b>		
<b>PIN TYPE</b>	Cottered	Riveted	Cottered	Riveted	Cottered	Riveted	Cottered	Riveted	Cottered	Riveted	Cottered	Riveted	
<b>TSUBAKI® PART #</b>	13219	-	20753	-	20690	-	20691	-	29381	-	Call Us	-	

<b>B912R CHAIN - K2 ATTACHMENT (WELDED)</b>		Weight 1L (lbs/ft): <b>13.80</b>											
<b>ATTACHMENT SPACING</b>	<b>1L</b>		<b>2L</b>		<b>3L</b>		<b>4L</b>		<b>5L</b>		<b>&gt; 5L</b>		
<b>PIN TYPE</b>	Cottered	Riveted	Cottered	Riveted	Cottered	Riveted	Cottered	Riveted	Cottered	Riveted	Cottered	Riveted	
<b>TSUBAKI® PART #</b>	3958	-	20676	-	20677	-	20678	-	20679	-	Call Us	-	

*Riveted construction available upon request.*

**Don't see what you need? Call us at 1-800-323-7790 and we will make it!**

# 925R CHAIN

Average Ultimate Strength: 45,300 lbs

Max Working Load: 4,900 lbs

Pitches Per Foot: 1.33

Upgrades Available:



<b>925R CHAIN - PLAIN</b>		Weight (lbs/ft): <b>8.00</b>
<b>PLAIN CHAIN</b>		
PIN TYPE	Cottered	Riveted
<b>TSUBAKI® PART #</b>	4509	-

<b>925R CHAIN - A2 ATTACHMENT (WELDED)</b>		Weight 1L (lbs/ft): <b>10.30</b>											
ATTACHMENT SPACING	1L		2L		3L		4L		5L		> 5L		
PIN TYPE	Cottered	Riveted	Cottered	Riveted	Cottered	Riveted	Cottered	Riveted	Cottered	Riveted	Cottered	Riveted	
<b>TSUBAKI® PART #</b>	4679	-	29235	-	29236	-	29237	-	29238	-	Call Us	-	

<b>925R CHAIN - K2 ATTACHMENT (WELDED)</b>		Weight 1L (lbs/ft): <b>12.50</b>											
ATTACHMENT SPACING	1L		2L		3L		4L		5L		> 5L		
PIN TYPE	Cottered	Riveted	Cottered	Riveted	Cottered	Riveted	Cottered	Riveted	Cottered	Riveted	Cottered	Riveted	
<b>TSUBAKI® PART #</b>	18674	-	20685	-	20686	-	20687	-	20688	-	Call Us	-	

Riveted construction available upon request.

# ROLLER CONVEYOR CHAINS B963R CHAIN

9.000" PITCH

Average Ultimate Strength: 53,400 lbs  
Max Working Load: 7,200 lbs  
Pitches Per Foot: 1.33

Upgrades Available:



TITAN™ XL



SJ3™  
Sealed Technology

B963R CHAIN - PLAIN			Weight (lbs/ft): 11.70
PLAIN CHAIN			
PIN TYPE	Cottered	Riveted	
TSUBAKI® PART #	3652	-	

B963R CHAIN - A2 ATTACHMENT (WELDED)						Weight 1L (lbs/ft): 14.50						
ATTACHMENT SPACING	1L		2L		3L		4L		5L		> 5L	
PIN TYPE	Cottered	Riveted	Cottered	Riveted	Cottered	Riveted	Cottered	Riveted	Cottered	Riveted	Cottered	Riveted
TSUBAKI® PART #	16503	-	17096	-	20708	-	20709	-	20710	-	Call Us	-

B963R CHAIN - K2 ATTACHMENT (WELDED)						Weight 1L (lbs/ft): 17.20						
ATTACHMENT SPACING	1L		2L		3L		4L		5L		> 5L	
PIN TYPE	Cottered	Riveted	Cottered	Riveted	Cottered	Riveted	Cottered	Riveted	Cottered	Riveted	Cottered	Riveted
TSUBAKI® PART #	13135	-	20694	-	20695	-	20696	-	20697	-	Call Us	-

Riveted construction available upon request.

Don't see what you need? Call us at 1-800-323-7790 and we will make it!

# ROLLER CONVEYOR CHAINS

## D963R CHAIN

9.000" PITCH

Average Ultimate Strength: 53,400 lbs  
 Max Working Load: 7,200 lbs  
 Pitches Per Foot: 1.33

Upgrades Available:



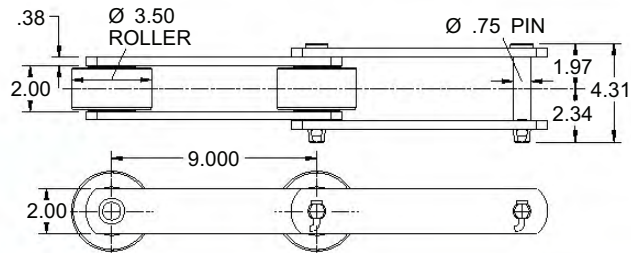
TITAN<sup>™</sup> XL



SJ3<sup>™</sup>  
 Sealed Technology

### D963R CHAIN - PLAIN

Weight (lbs/ft): 13.10

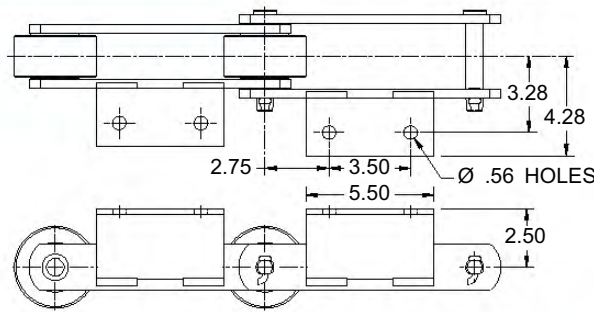


#### PLAIN CHAIN

PIN TYPE	Cottered	Riveted
TSUBAKI <sup>®</sup> PART #	11568	-

### D963R CHAIN - A2 ATTACHMENT (WELDED)

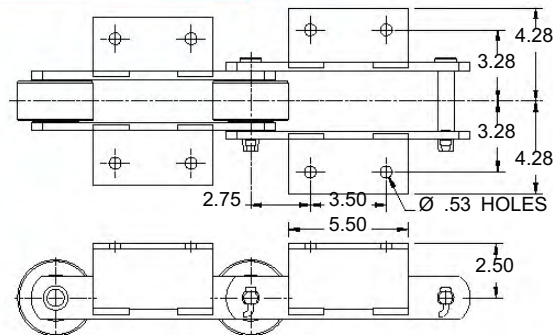
Weight 1L (lbs/ft): 15.80



ATTACHMENT SPACING	1L		2L		3L		4L		5L		> 5L	
	Cottered	Riveted	Cottered	Riveted	Cottered	Riveted	Cottered	Riveted	Cottered	Riveted	Cottered	Riveted
TSUBAKI <sup>®</sup> PART #	17436	-	29240	-	29241	-	29242	-	29243	-	Call Us	-

### D963R CHAIN - K2 ATTACHMENT (WELDED)

Weight 1L (lbs/ft): 18.60



ATTACHMENT SPACING	1L		2L		3L		4L		5L		> 5L	
	Cottered	Riveted	Cottered	Riveted	Cottered	Riveted	Cottered	Riveted	Cottered	Riveted	Cottered	Riveted
TSUBAKI <sup>®</sup> PART #	3610	-	20703	-	20704	-	20705	-	20706	-	Call Us	-

Riveted construction available upon request.

07.2019

# ROLLER CONVEYOR CHAINS

## 4009 CHAIN

9.000" PITCH  
WORKHORSE™ 4000 SERIES

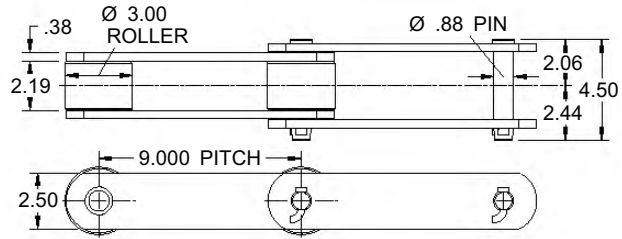
Average Ultimate Strength: 143,000 lbs  
Max Working Load: 9,000 lbs  
Pitches Per Foot: 1.33

Upgrades Available:



### 4009 CHAIN - PLAIN

Weight (lbs/ft): 13.98

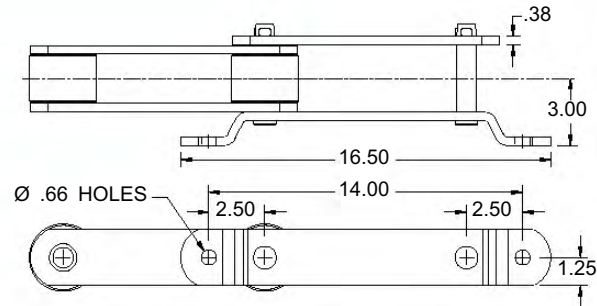


#### PLAIN CHAIN

PIN TYPE	Cottered	Riveted
TSUBAKI® PART #	27415	-

### 4009 CHAIN - G5 ATTACHMENT

Weight 2L (lbs/ft): 15.00



ATTACHMENT SPACING	2L		OTHER	
	Cottered	Riveted	Cottered	Riveted
TSUBAKI® PART #	22653	-	Call Us	-

Riveted construction available upon request.

Don't see what you need? Call us at 1-800-323-7790 and we will make it!



# ROLLER CONVEYOR CHAINS

## B964R CHAIN

9.000" PITCH

Average Ultimate Strength: 75,000 lbs  
 Max Working Load: 9,200 lbs  
 Pitches Per Foot: 1.33

Upgrades Available:



TITAN™ XL



SJ3™  
 Sealed Technology

B964R CHAIN - PLAIN			Weight (lbs/ft): 13.30
PLAIN CHAIN			
PIN TYPE	Cottered	Riveted	
TSUBAKI® PART #	14833	-	

B964R CHAIN - A2 ATTACHMENT (WELDED)										Weight 1L (lbs/ft): 21.40		
ATTACHMENT SPACING	1L		2L		3L		4L		5L		> 5L	
PIN TYPE	Cottered	Riveted	Cottered	Riveted	Cottered	Riveted	Cottered	Riveted	Cottered	Riveted	Cottered	Riveted
TSUBAKI® PART #	19265	-	20726	-	20727	-	18340	-	20738	-	Call Us	-

B964R CHAIN - K2 ATTACHMENT (WELDED)										Weight 1L (lbs/ft): 25.80		
ATTACHMENT SPACING	1L		2L		3L		4L		5L		> 5L	
PIN TYPE	Cottered	Riveted	Cottered	Riveted	Cottered	Riveted	Cottered	Riveted	Cottered	Riveted	Cottered	Riveted
TSUBAKI® PART #	14009	-	20712	-	20713	-	20714	-	20715	-	Call Us	-

Riveted construction available upon request.

07.2019

# ROLLER CONVEYOR CHAINS

## 4004 CHAIN

9.000" PITCH  
WORKHORSE™ 4000 SERIES

Average Ultimate Strength: 121,000 lbs  
Max Working Load: 12,700 lbs  
Pitches Per Foot: 1.33

Upgrades Available:



CORROSION  
RESISTANCE

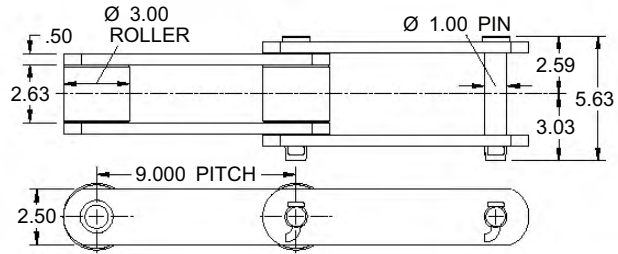
TITAN™  
XL



SJ3™  
Sealed Technology

### 4004 CHAIN - PLAIN

Weight (lbs/ft): **18.05**

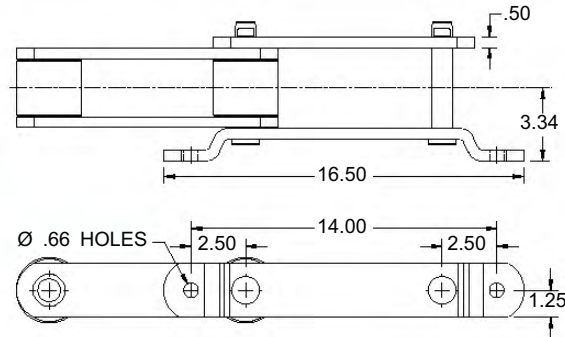


#### PLAIN CHAIN

PIN TYPE	Cottered	Riveted
TSUBAKI® PART #	27414	-

### 4004 CHAIN - G5 ATTACHMENT

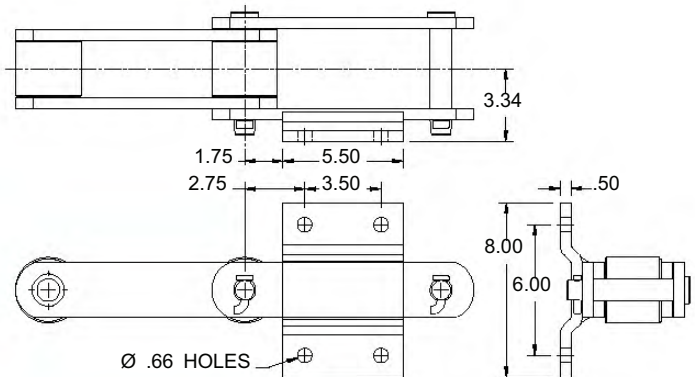
Weight 2L (lbs/ft): **19.30**



ATTACHMENT SPACING	2L		OTHER	
	Cottered	Riveted	Cottered	Riveted
TSUBAKI® PART #	14192	-	Call Us	-

### 4004 CHAIN - G9 ATTACHMENT

Weight 2L (lbs/ft): **22.50**



ATTACHMENT SPACING	2L		OTHER	
	Cottered	Riveted	Cottered	Riveted
TSUBAKI® PART #	25328	-	Call Us	-

Riveted construction available upon request.

Don't see what you need? Call us at 1-800-323-7790 and we will make it!

# ROLLER CONVEYOR CHAINS

## 4035 CHAIN

9.000" PITCH  
WORKHORSE™ 4000 SERIES

Average Ultimate Strength: 131,7000 lbs  
Max Working Load: 16,500 lbs  
Pitches Per Foot: 1.33

Upgrades Available:



CORROSION RESISTANCE

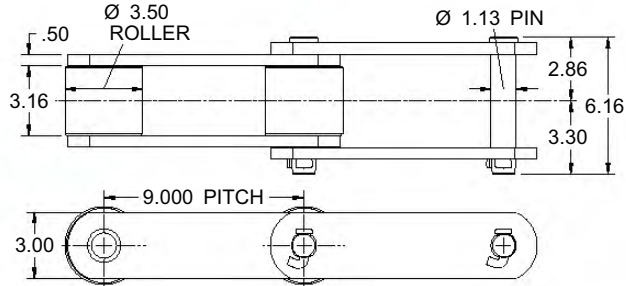
TITAN™ XL



SJ3™  
Sealed Technology

### 4035 CHAIN - PLAIN

Weight (lbs/ft): **24.83**

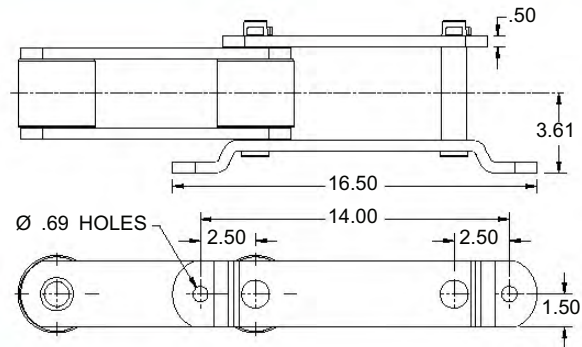


#### PLAIN CHAIN

PIN TYPE	Cottered	Riveted
TSUBAKI® PART #	27416	-

### 4035 CHAIN - G5 ATTACHMENT

Weight 2L (lbs/ft): **26.32**



ATTACHMENT SPACING	2L		OTHER	
PIN TYPE	Cottered	Riveted	Cottered	Riveted
TSUBAKI® PART #	27417	-	Call Us	-

Riveted construction available upon request.

07.2019

# ROLLER CONVEYOR CHAINS

## 4065 CHAIN

9.000" PITCH  
WORKHORSE™ 4000 SERIES

Average Ultimate Strength: 226,000 lbs  
Max Working Load: 18,900 lbs  
Pitches Per Foot: 1.33

Upgrades Available:



CORROSION  
RESISTANCE

TITAN™  
XL



SJ3™  
Sealed Technology

<b>4065 CHAIN - PLAIN</b>		Weight (lbs/ft): <b>37.00</b>									
<table border="1" style="width: 100%; border-collapse: collapse;"> <tr> <th colspan="3" style="background-color: #0070C0; color: white;">PLAIN CHAIN</th> </tr> <tr> <th style="background-color: #0070C0; color: white;">PIN TYPE</th> <th style="background-color: #0070C0; color: white;">Cottered</th> <th style="background-color: #0070C0; color: white;">Riveted</th> </tr> <tr> <td style="background-color: #0070C0; color: white;">TSUBAKI® PART #</td> <td style="text-align: center;">23440</td> <td style="text-align: center;">-</td> </tr> </table>			PLAIN CHAIN			PIN TYPE	Cottered	Riveted	TSUBAKI® PART #	23440	-
PLAIN CHAIN											
PIN TYPE	Cottered	Riveted									
TSUBAKI® PART #	23440	-									

<b>4065 CHAIN - G5 ATTACHMENT</b>		Weight 2L (lbs/ft): <b>38.80</b>																
<table border="1" style="width: 100%; border-collapse: collapse;"> <tr> <th style="background-color: #0070C0; color: white;">ATTACHMENT SPACING</th> <th colspan="2" style="background-color: #0070C0; color: white;">2L</th> <th colspan="2" style="background-color: #0070C0; color: white;">OTHER</th> </tr> <tr> <th style="background-color: #0070C0; color: white;">PIN TYPE</th> <th style="background-color: #0070C0; color: white;">Cottered</th> <th style="background-color: #0070C0; color: white;">Riveted</th> <th style="background-color: #0070C0; color: white;">Cottered</th> <th style="background-color: #0070C0; color: white;">Riveted</th> </tr> <tr> <td style="background-color: #0070C0; color: white;">TSUBAKI® PART #</td> <td style="text-align: center;">18818</td> <td style="text-align: center;">-</td> <td style="text-align: center;">Call Us</td> <td style="text-align: center;">-</td> </tr> </table>				ATTACHMENT SPACING	2L		OTHER		PIN TYPE	Cottered	Riveted	Cottered	Riveted	TSUBAKI® PART #	18818	-	Call Us	-
ATTACHMENT SPACING	2L		OTHER															
PIN TYPE	Cottered	Riveted	Cottered	Riveted														
TSUBAKI® PART #	18818	-	Call Us	-														

<b>4065 CHAIN - G9 ATTACHMENT</b>		Weight 2L (lbs/ft): <b>42.50</b>																
<table border="1" style="width: 100%; border-collapse: collapse;"> <tr> <th style="background-color: #0070C0; color: white;">ATTACHMENT SPACING</th> <th colspan="2" style="background-color: #0070C0; color: white;">2L</th> <th colspan="2" style="background-color: #0070C0; color: white;">OTHER</th> </tr> <tr> <th style="background-color: #0070C0; color: white;">PIN TYPE</th> <th style="background-color: #0070C0; color: white;">Cottered</th> <th style="background-color: #0070C0; color: white;">Riveted</th> <th style="background-color: #0070C0; color: white;">Cottered</th> <th style="background-color: #0070C0; color: white;">Riveted</th> </tr> <tr> <td style="background-color: #0070C0; color: white;">TSUBAKI® PART #</td> <td style="text-align: center;">18866</td> <td style="text-align: center;">-</td> <td style="text-align: center;">Call Us</td> <td style="text-align: center;">-</td> </tr> </table>				ATTACHMENT SPACING	2L		OTHER		PIN TYPE	Cottered	Riveted	Cottered	Riveted	TSUBAKI® PART #	18866	-	Call Us	-
ATTACHMENT SPACING	2L		OTHER															
PIN TYPE	Cottered	Riveted	Cottered	Riveted														
TSUBAKI® PART #	18866	-	Call Us	-														

*Riveted construction available upon request.*

Don't see what you need? Call us at 1-800-323-7790 and we will make it!

# ROLLER CONVEYOR CHAINS

## 4037 CHAIN

9.000" PITCH  
WORKHORSE™ 4000 SERIES

Average Ultimate Strength: 259,900 lbs  
Max Working Load: 23,600 lbs  
Pitches Per Foot: 1.33

Upgrades Available:



CORROSION  
RESISTANCE

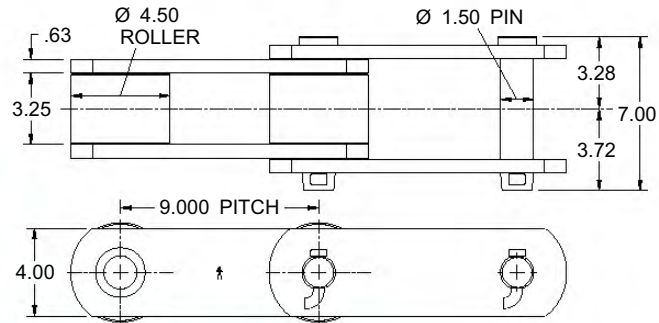
TITAN™  
XL



SJ3™  
Sealed Technology

### 4037 CHAIN - PLAIN

Weight (lbs/ft): 44.36

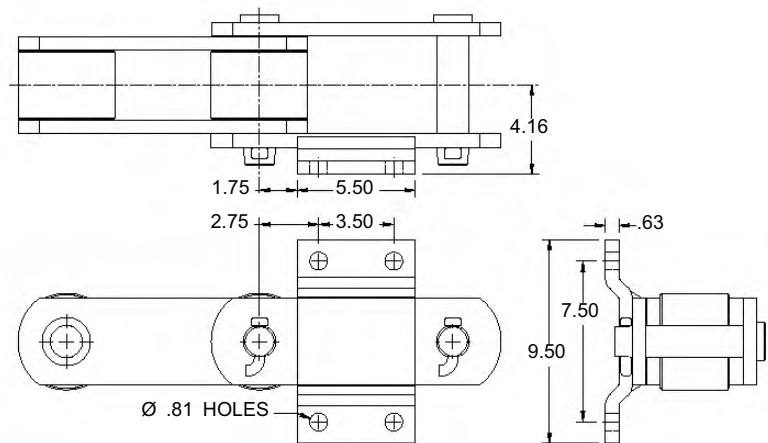


#### PLAIN CHAIN

PIN TYPE	Cottered	Riveted
TSUBAKI® PART #	27418	-

### 4037 CHAIN - G9 ATTACHMENT

Weight 2L (lbs/ft): 51.00



ATTACHMENT SPACING	2L		OTHER	
	Cottered	Riveted	Cottered	Riveted
TSUBAKI® PART #	25329	-	Call Us	-

Riveted construction available upon request.

07.2019

# ROLLER CONVEYOR CHAINS B1263R CHAIN

9.000" PITCH

Average Ultimate Strength: 53,400 lbs  
Max Working Load: 7,200 lbs  
Pitches Per Foot: 1.33

Upgrades Available:



CORROSION  
RESISTANCE

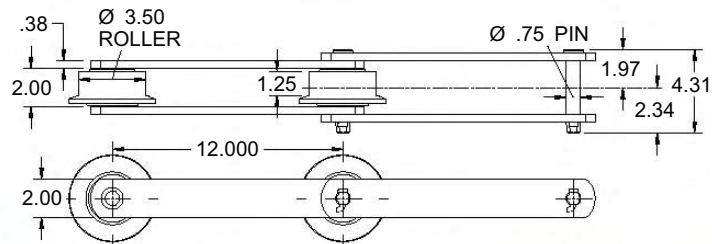
TITAN™  
XL

SJ3™  
Sealed Technology



## B1263R CHAIN - PLAIN

Weight (lbs/ft): 13.10



### PLAIN CHAIN

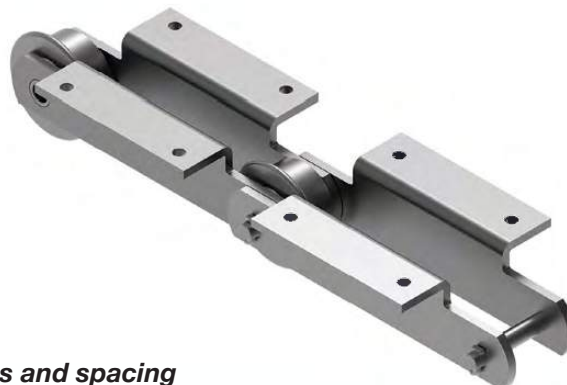
PIN TYPE	Cottered	Riveted
TSUBAKI® PART #	4637	-

## B1263R CHAIN - A2 ATTACHMENT



*Consult factory for dimensions and spacing*

## B1263R CHAIN - K2 ATTACHMENT



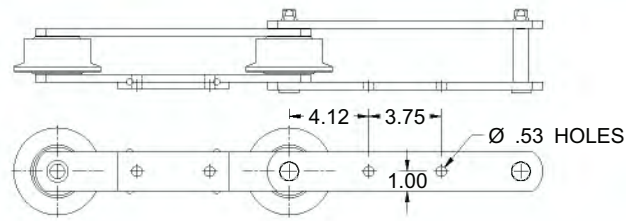
*Consult factory for dimensions and spacing*

Riveted construction available upon request.

Don't see what you need? Call us at 1-800-323-7790 and we will make it!

**B1263R CHAIN - G6 ATTACHMENT**

Weight 1L (lbs/ft): **12.10**



ATTACHMENT SPACING	1L		2L		3L		4L		5L		> 5L	
	Cottered	Riveted	Cottered	Riveted	Cottered	Riveted	Cottered	Riveted	Cottered	Riveted	Cottered	Riveted
<b>TSUBAKI</b> <sup>®</sup> PART #	29250	-	13904	-	29251	-	29252	-	29253	-	Call Us	-

*Riveted construction available upon request.*

07.2019

# ROLLER CONVEYOR CHAINS D1263R CHAIN

12.000" PITCH

Average Ultimate Strength: 53,400 lbs  
Max Working Load: 7,200 lbs  
Pitches Per Foot: 1.00

Upgrades Available:



TITAN<sup>™</sup>  
XL



SJ3<sup>™</sup>  
Sealed Technology

<b>D1263R CHAIN - PLAIN</b>	Weight (lbs/ft): <b>11.10</b>									
<table border="1" style="width: 100%; border-collapse: collapse;"> <tr> <th colspan="3" style="background-color: #0070C0; color: white;">PLAIN CHAIN</th> </tr> <tr> <th style="width: 15%;">PIN TYPE</th> <th style="width: 35%;">Cottered</th> <th style="width: 50%;">Riveted</th> </tr> <tr> <td style="background-color: #0070C0; color: white;">TSUBAKI<sup>®</sup> PART #</td> <td style="text-align: center;">15809</td> <td style="text-align: center;">-</td> </tr> </table>		PLAIN CHAIN			PIN TYPE	Cottered	Riveted	TSUBAKI <sup>®</sup> PART #	15809	-
PLAIN CHAIN										
PIN TYPE	Cottered	Riveted								
TSUBAKI <sup>®</sup> PART #	15809	-								

<b>D1263R CHAIN - A2 ATTACHMENT (WELDED)</b>	Weight 1L (lbs/ft): <b>14.10</b>											
ATTACHMENT SPACING	1L		2L		3L		4L		5L		> 5L	
PIN TYPE	Cottered	Riveted	Cottered	Riveted	Cottered	Riveted	Cottered	Riveted	Cottered	Riveted	Cottered	Riveted
TSUBAKI <sup>®</sup> PART #	11675	-	20739	-	20740	-	20741	-	20742	-	Call Us	-

<b>D1263R CHAIN - K2 ATTACHMENT (WELDED)</b>	Weight 1L (lbs/ft): <b>17.10</b>											
ATTACHMENT SPACING	1L		2L		3L		4L		5L		> 5L	
PIN TYPE	Cottered	Riveted	Cottered	Riveted	Cottered	Riveted	Cottered	Riveted	Cottered	Riveted	Cottered	Riveted
TSUBAKI <sup>®</sup> PART #	11664	-	10536	-	20722	-	20723	-	20724	-	Call Us	-

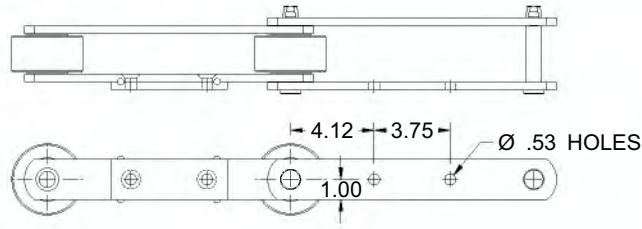
*Riveted construction available upon request.*

Don't see what you need? Call us at 1-800-323-7790 and we will make it!



# D1263R CHAIN - G6 ATTACHMENT

Weight 1L (lbs/ft): **11.60**



ATTACHMENT SPACING	1L		2L		3L		4L		5L		> 5L	
	Cottered	Riveted	Cottered	Riveted	Cottered	Riveted	Cottered	Riveted	Cottered	Riveted	Cottered	Riveted
<b>TSUBAKI</b> <sup>®</sup> PART #	4770	-	29254	-	29255	-	29256	-	29257	-	Call Us	-

*Riveted construction available upon request.*

07.2019

# ROLLER CONVEYOR CHAINS

## 4251 CHAIN

12.000" PITCH  
WORKHORSE™ 4000 SERIES

Average Ultimate Strength: 61,200 lbs  
Max Working Load: 8,750 lbs  
Pitches Per Foot: 1.00

Upgrades Available:



CORROSION  
RESISTANCE

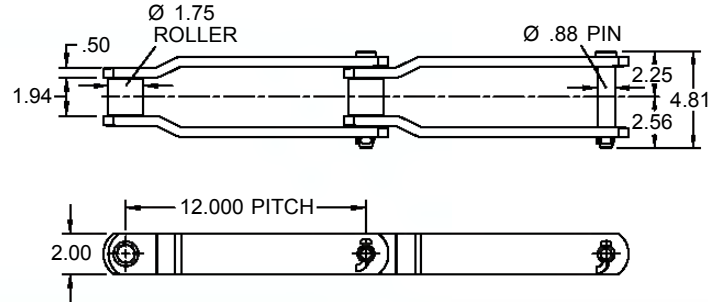
TITAN™  
XL



SJ3™  
Sealed Technology

### 4251 CHAIN - PLAIN

Weight (lbs/ft): **9.80**

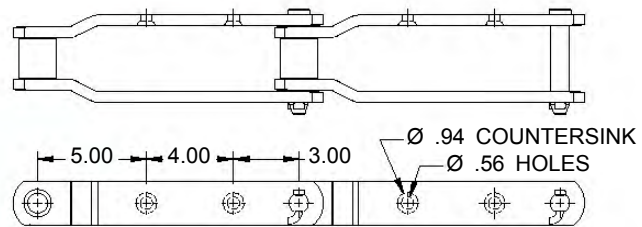


#### PLAIN CHAIN

PIN TYPE	Cottered	Riveted
TSUBAKI® PART #	27419	-

### 4251 CHAIN - G-117 ATTACHMENT

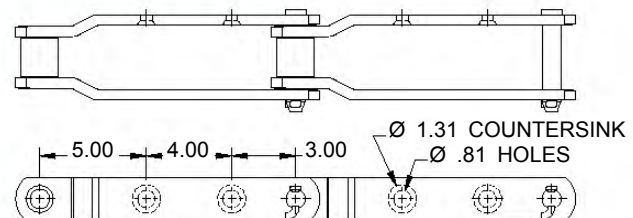
Weight 1L (lbs/ft): **9.30**



ATTACHMENT SPACING	1L		OTHER	
	Cottered	Riveted	Cottered	Riveted
TSUBAKI® PART #	27420	-	Call Us	-

### 4251 CHAIN - G-118 ATTACHMENT

Weight 1L (lbs/ft): **9.00**



ATTACHMENT SPACING	1L		OTHER	
	Cottered	Riveted	Cottered	Riveted
TSUBAKI® PART #	27421	-	Call Us	-

Riveted construction available upon request.

Don't see what you need? Call us at 1-800-323-7790 and we will make it!

# ROLLER CONVEYOR CHAINS

## B1264R CHAIN

12.000" PITCH

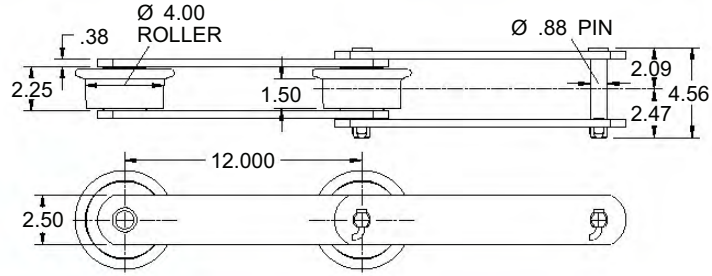
Average Ultimate Strength: 70,000 lbs  
 Max Working Load: 9,200 lbs  
 Pitches Per Foot: 1.00

Upgrades Available:



### B1264R CHAIN - PLAIN

Weight (lbs/ft): 14.90

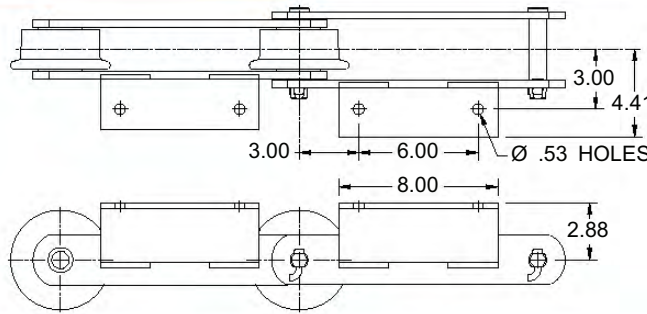


#### PLAIN CHAIN

PIN TYPE	Cottered	Riveted
TSUBAKI® PART #	12176	-

### B1264R CHAIN - A2 ATTACHMENT (WELDED)

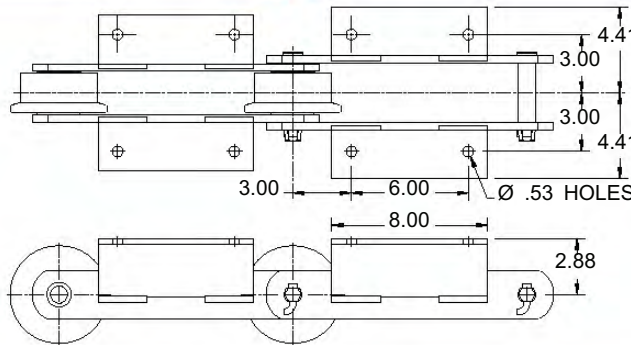
Weight 1L (lbs/ft): 17.80



ATTACHMENT SPACING	1L		2L		3L		4L		5L		> 5L	
	Cottered	Riveted	Cottered	Riveted	Cottered	Riveted	Cottered	Riveted	Cottered	Riveted	Cottered	Riveted
TSUBAKI® PART #	14331	-	20744	-	20745	-	20746	-	20747	-	Call Us	-

### B1264R CHAIN - K2 ATTACHMENT (WELDED)

Weight 1L (lbs/ft): 21.50



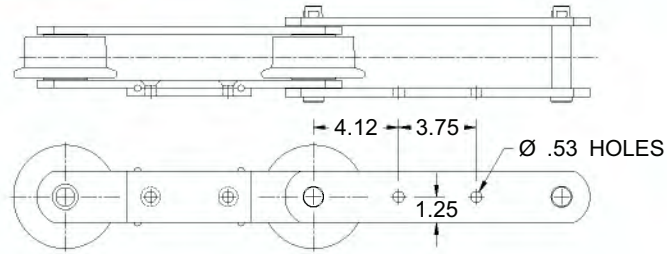
ATTACHMENT SPACING	1L		2L		3L		4L		5L		> 5L	
	Cottered	Riveted	Cottered	Riveted	Cottered	Riveted	Cottered	Riveted	Cottered	Riveted	Cottered	Riveted
TSUBAKI® PART #	11362	-	20279	-	20730	-	20731	-	20732	-	Call Us	-

Riveted construction available upon request.

07.2019

# B1264R CHAIN - G6 ATTACHMENT

Weight 1L (lbs/ft): **15.70**



ATTACHMENT SPACING	1L		2L		3L		4L		5L		> 5L	
	Cottered	Riveted	Cottered	Riveted	Cottered	Riveted	Cottered	Riveted	Cottered	Riveted	Cottered	Riveted
<b>TSUBAKI</b> PART #	10956	-	29258	-	29259	-	29260	-	29261	-	Call Us	-

*Riveted construction available upon request.*

**Don't see what you need? Call us at 1-800-323-7790 and we will make it!**

# ROLLER CONVEYOR CHAINS B1863R CHAIN

18.000" PITCH

Average Ultimate Strength: 53,400 lbs  
Max Working Load: 7,200 lbs  
Pitches Per Foot: 0.66

Upgrades Available:



CORROSION  
RESISTANCE

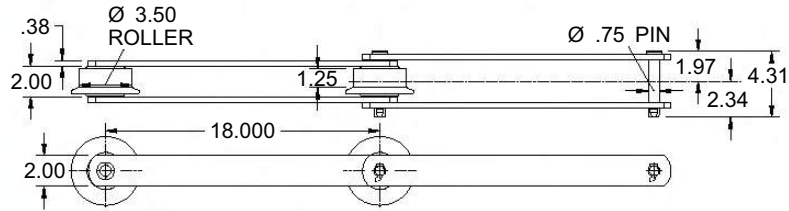
TITAN™  
XL



SJ3™  
Sealed Technology

## B1863R CHAIN - PLAIN

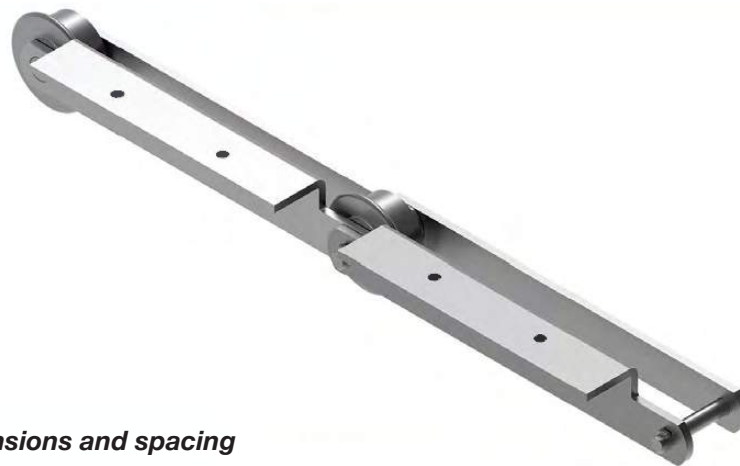
Weight (lbs/ft): 14.90



### PLAIN CHAIN

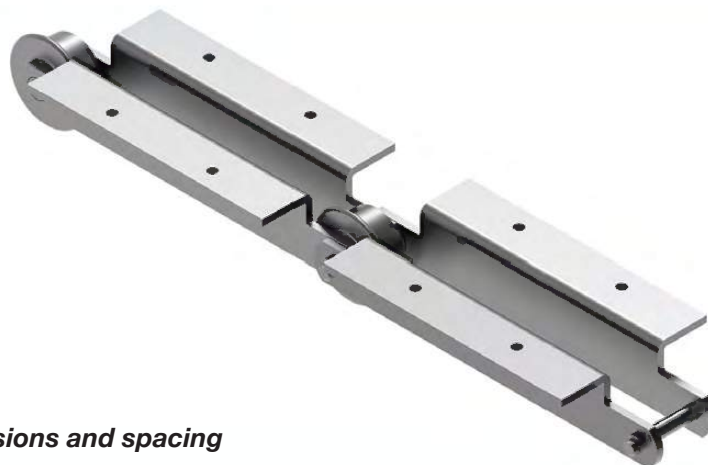
PIN TYPE	Cottered	Riveted
TSUBAKI® PART #	17573	-

## B1863R CHAIN - A2 ATTACHMENT



Consult factory for dimensions and spacing

## B1863R CHAIN - K2 ATTACHMENT



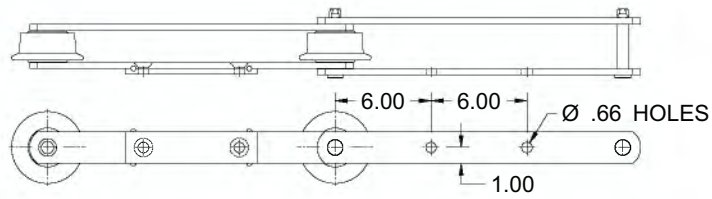
Consult factory for dimensions and spacing

Riveted construction available upon request.

07.2019

**B1863R CHAIN - G6 ATTACHMENT**

Weight 1L (lbs/ft): **8.90**



ATTACHMENT SPACING	1L		2L		3L		4L		5L		> 5L	
	Cottered	Riveted	Cottered	Riveted	Cottered	Riveted	Cottered	Riveted	Cottered	Riveted	Cottered	Riveted
<b>TSUBAKI</b> <sup>®</sup> PART #	29263	-	29264	-	29265	-	29266	-	29267	-	Call Us	-

*Riveted construction available upon request.*

*Don't see what you need? Call us at 1-800-323-7790 and we will make it!*

# ROLLER CONVEYOR CHAINS

## B1864R CHAIN

18.000" PITCH

Average Ultimate Strength: 70,000 lbs  
 Max Working Load: 9,200 lbs  
 Pitches Per Foot: 0.66

Upgrades Available:



CORROSION RESISTANCE

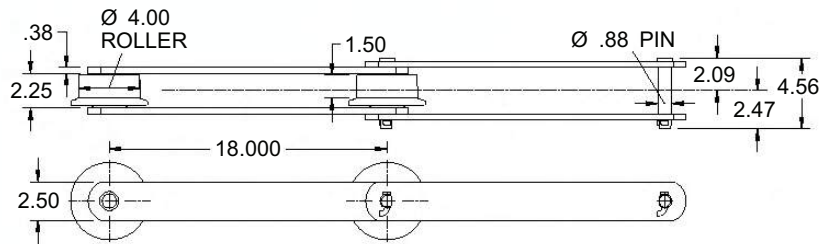
TITAN™ XL



SJ3™  
 Sealed Technology

### B1864R CHAIN - PLAIN

Weight (lbs/ft): 12.10



#### PLAIN CHAIN

PIN TYPE	Cottered	Riveted
TSUBAKI® PART #	17005	-

TSUBAKI®  
 PART #

17005

-

### B1864R CHAIN - A2 ATTACHMENT



Consult factory for dimensions and spacing

### B1864R CHAIN - K2 ATTACHMENT

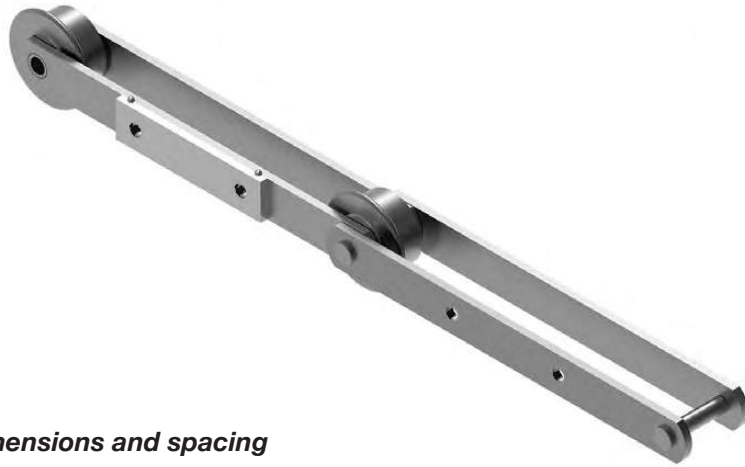


Consult factory for dimensions and spacing

Riveted construction available upon request.

07.2019

**B1864R CHAIN - G6 ATTACHMENT**



*Consult factory for dimensions and spacing*

*Riveted construction available upon request.*

*Don't see what you need? Call us at 1-800-323-7790 and we will make it!*

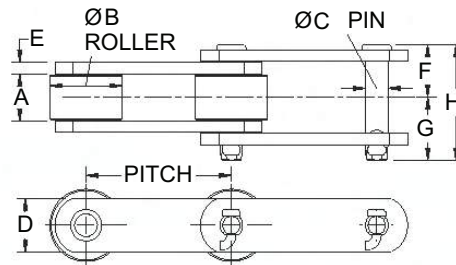


# Delrin Series Chains

Delrin Series Chains have zinc-plated sidebars, pins, and rollers. The bushings are heat-treated stainless steel and provide lube-free operation for clean/sterile environments. The open joint construction allows for easy washdowns and helps prevent contamination.

## DS - DELRIN SERIES

- Utilizes a Delrin roller insert to eliminate/reduce the need for lubrication in clean/sterile environments.
- Excellent for wet and corrosive applications—particularly those found in meat processing.
- Electroplated zinc coating is standard on pins, sidebars and rollers. Standard bushings are stainless.
- Full stainless steel designs are available on a Made-to-Order basis.
- Upgraded roller insert options available upon request.



Chain Number	Pitch	Attachment Detail	Dimensions								AUS (lbs.)	Max Working Load (lbs.)
			Inside Width	Roller Diameter	Pin Diameter	Sidebar Height	Sidebar Thick	Pin Head to CL	Pin End to CL	Overall Width		
			A	B	C	D	E	F	G	H		
DS-1113	4.040	See Page 122	1.31	2.00	0.63	1.50	0.31	1.47	1.75	3.22	26,000	3,150
DS-196R	6.000	See Page 123	1.13	2.00	0.44	1.25	0.25	1.20	1.42	2.63	18,000	1,950
DS-6272	6.000	See Page 124	1.31	2.25/2.00	0.63	1.50	0.31	1.47	1.75	3.22	26,000	3,150

## TYPICAL APPLICATIONS

### Meat Processing Conveyors

- Restrainer
- Gut
- Visceral
- Evisceration Tables

## COMMON INDUSTRIES



FOOD/MEAT  
PROCESSING



GENERAL  
MANUFACTURING



# DELTRIN SERIES CHAINS

## DS-1113 CHAIN

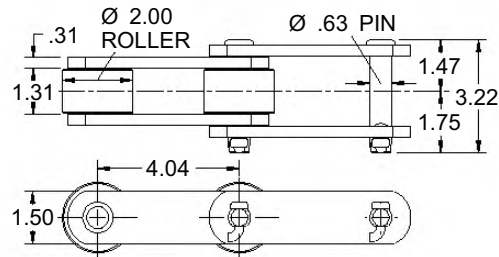
4.040" PITCH

Average Ultimate Strength: 26,000 lbs  
 Max Working Load: 3,150 lbs  
 Pitches Per Foot: 2.97



### DS-1113 CHAIN - PLAIN

Weight (lbs/ft): **7.12**

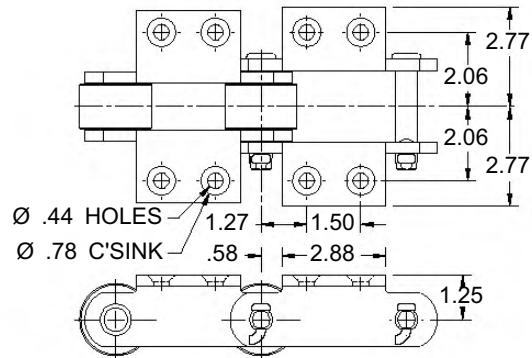


#### PLAIN CHAIN

PIN TYPE	Cottered	Riveted
TSUBAKI® PART #	23243	-

### DS-1113 CHAIN - K2 ATTACHMENT

Weight 1L (lbs/ft): **9.89**



ATTACHMENT SPACING	1L		OTHER	
	Cottered	Riveted	Cottered	Riveted
TSUBAKI® PART #	13816	-	Call Us	-

Don't see what you need? Call us at 1-800-323-7790 and we will make it!

# DELTRIN SERIES CHAINS

## DS-196R CHAIN

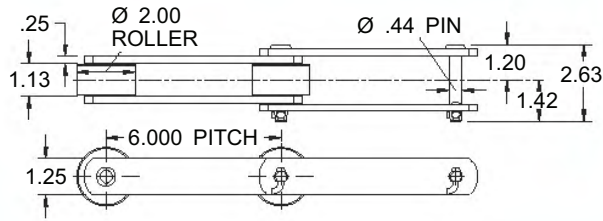
6.000" PITCH

Average Ultimate Strength: 18,000 lbs  
 Max Working Load: 1,950 lbs  
 Pitches Per Foot: 2.00



### DS-196R CHAIN - PLAIN

Weight (lbs/ft): 4.20

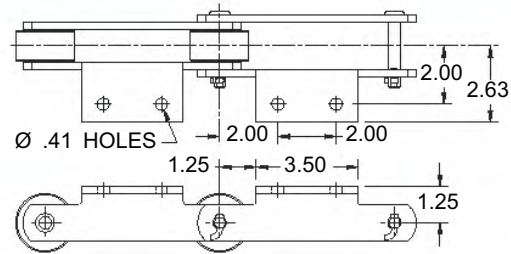


#### PLAIN CHAIN

PIN TYPE	Cottered	Riveted
TSUBAKI PART #	27094	-

### DS-196R CHAIN - A2 ATTACHMENT

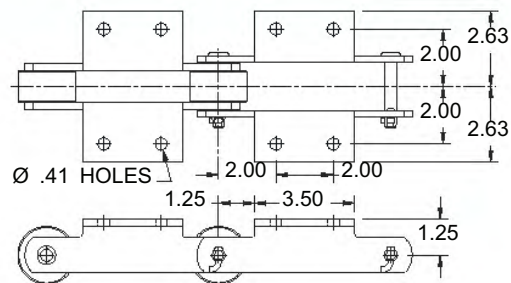
Weight 1L (lbs/ft): 5.20



ATTACHMENT SPACING	1L		OTHER	
	Cottered	Riveted	Cottered	Riveted
TSUBAKI PART #	16663	-	Call Us	-

### DS-196R CHAIN - K2 ATTACHMENT

Weight 1L (lbs/ft): 6.27




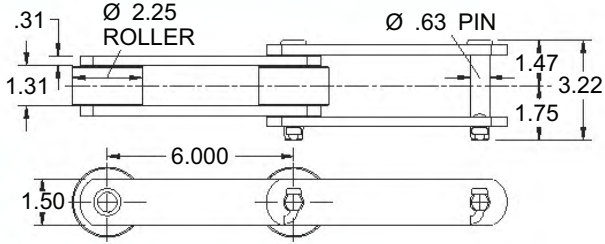
ATTACHMENT SPACING	1L		OTHER	
	Cottered	Riveted	Cottered	Riveted
TSUBAKI PART #	29382	-	Call Us	-

DS-1113 / DS-196 DELTRIN SERIES CHAINS

Average Ultimate Strength: 26,000 lbs  
 Max Working Load: 3,150 lbs  
 Pitches Per Foot: 2.00


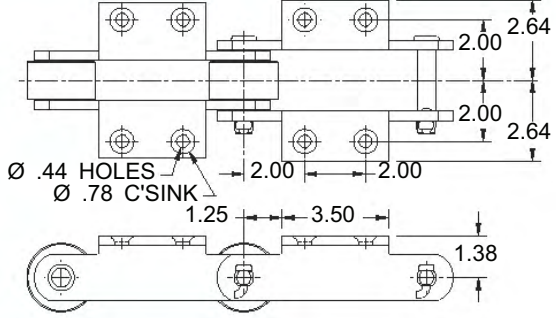


**DS-6272 CHAIN - PLAIN** Weight (lbs/ft): **6.70**


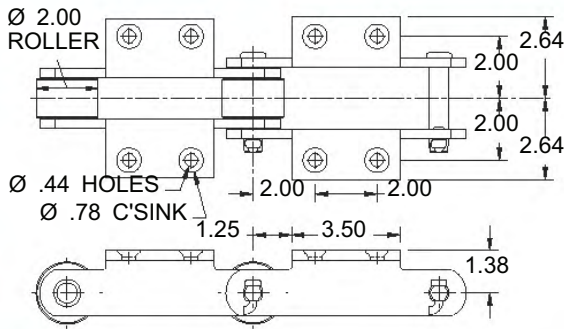
PLAIN CHAIN				
PIN TYPE	Cottered	Riveted		
<b>TSUBAKI</b> PART #	18958	-		

**DS-6272 CHAIN - K2 ATTACHMENT AND 2.25" DIAMETER ROLLER** Weight 1L (lbs/ft): **8.90**

ATTACHMENT SPACING	1L		OTHER	
	Cottered	Riveted	Cottered	Riveted
<b>TSUBAKI</b> PART #	13730	-	Call Us	-

**DS-6272 CHAIN - K2 ATTACHMENT AND 2.00" DIAMETER ROLLER** Weight 1L (lbs/ft): **8.10**

ATTACHMENT SPACING	1L		OTHER	
	Cottered	Riveted	Cottered	Riveted
<b>TSUBAKI</b> PART #	24329	-	Call Us	-

# Incline/Traverse Scraper Chains

**US Tsubaki Scraper Chains are specifically designed to provide maximum strength and steadfast reliability in the ever demanding Asphalt/Industrial Minerals production segment. Maximize your production uptime with premium Tsubaki Scraper Chains.**

## **PREMIUM TSUBAKI INCLINE/TRVERSE SCRAPER CHAINS**

- Sidebars are through hardened to stand up to high impact loads.
- Rollers are heat treated to resist abrasion in extreme conditions.
- Common 4" and 6" designs are in stock and ready for quick shipment.

**K Style Attachments**



**M Style Attachments**



## **TYPICAL APPLICATIONS**

### **Bulk Material Handling**

- Incline Scraper Conveyors
- Traverse Scraper Conveyors

## **COMMON INDUSTRIES**



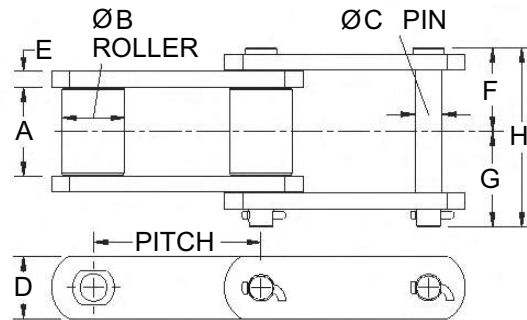
**INDUSTRIAL  
MINERALS**



**ASPHALT**



**GENERAL  
MANUFACTURING**



Chain Number	Pitch	Sidebar Style	Attachment Detail	Dimensions								AUS (lbs.)	Max Working Load (lbs.)
				Inside Width	Roller Diameter	Pin Diameter	Sidebar Height	Sidebar Thickness	Pin Head to CL	Pin End to CL	Overall Width		
				A	B	C	D	E	F	G	H		
2111	6.000	Straight	See page 127	1.56	1.88	0.75	2.00	0.38	1.84	2.13	3.97	83,000	5,900
3433	4.000	Straight	See page 128	2.13	1.50	0.63	1.50	0.38	2.00	2.28	4.28	50,000	6,300
3940	6.000	Straight	See page 129	2.00	1.63	0.75	2.25	0.38	1.94	2.31	4.25	100,000	7,200
3945	4.000	Straight	See page 130	2.00	1.25	0.63	1.50	0.31	1.81	2.09	3.91	44,000	5,700
3952	4.000	Straight	See page 131	2.00	1.44	0.75	1.75	0.38	1.94	2.31	4.25	60,000	7,200
9856	6.000	Straight	See page 132	3.00	2.75	1.00	2.50	0.50	2.78	3.22	6.00	120,000	14,000



# 2111 CHAIN

Average Ultimate Strength: 83,000 lbs

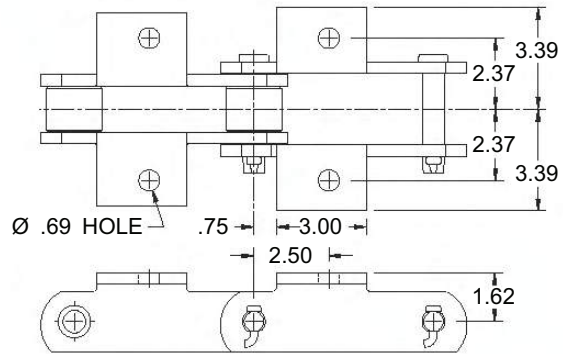
Max Working Load: 5,900 lbs

Pitches Per Foot: 2.00



## 2111 CHAIN - K11 ATTACHMENT

Weight 1L (lbs/ft): 12.50



ATTACHMENT SPACING	1L		OTHER	
	Cottered	Riveted	Cottered	Riveted
UNION® PART #	P-10024	-	Call Us	-

ROSTER / 2111 INCLINE TRAVERSE SCRAPER CHAINS

**Custom Flights and Flight Assemblies Available**

# 3433 CHAIN

4.000" PITCH

Average Ultimate Strength: 50,000 lbs

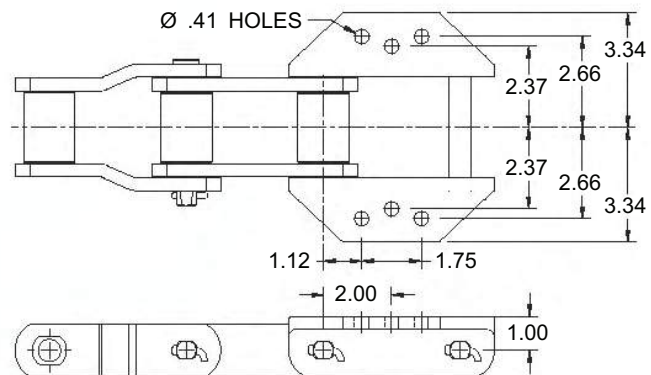
Max Working Load: 6,300 lbs

Pitches Per Foot: 3.00



## 3433 CHAIN - K1/K2 ATTACHMENT

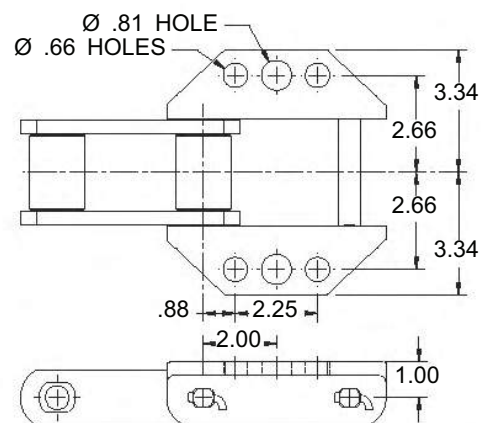
Weight 3L (lbs/ft): **10.10**



ATTACHMENT SPACING	3L		OTHER	
PIN TYPE	Cottered	Riveted	Cottered	Riveted
UNION® PART #	P-10022	-	Call Us	-

## 3433 CHAIN - K3 ATTACHMENT

Weight 4L (lbs/ft): **9.60**



ATTACHMENT SPACING	4L		OTHER	
PIN TYPE	Cottered	Riveted	Cottered	Riveted
UNION® PART #	P-5827	-	Call Us	-



# 3940 CHAIN

Average Ultimate Strength: 100,000 lbs

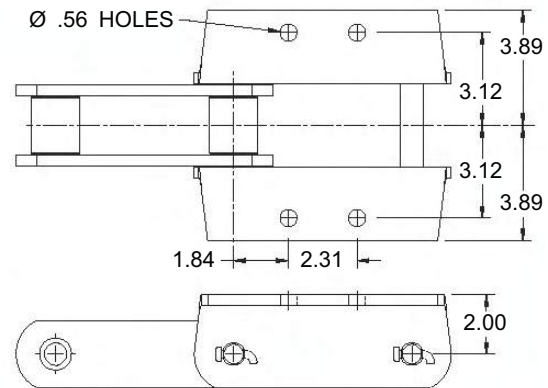
Max Working Load: 7,200 lbs

Pitches Per Foot: 2.00



## 3940 CHAIN - K2 ATTACHMENT

Weight 2L (lbs/ft): 15.10



ATTACHMENT SPACING	2L		OTHER	
	Cottered	Riveted	Cottered	Riveted
UNION® PART #	P-10023	-	Call Us	-

**Custom Flights and Flight Assemblies Available**

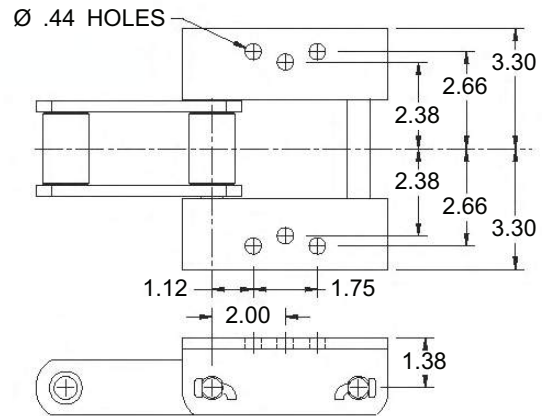
# 3945 CHAIN

Average Ultimate Strength: 44,000 lbs  
 Max Working Load: 5,700 lbs  
 Pitches Per Foot: 3.00




## 3945 CHAIN - K3 ATTACHMENT


Weight 3L (lbs/ft): **9.00**



ATTACHMENT SPACING	3L		OTHER	
	Cottered	Riveted	Cottered	Riveted
UNION® PART #	P-10020	-	Call Us	-



**Custom Flights  
and Flight  
Assemblies  
Available**



Don't see what you need? Call us at 1-800-323-7790 and we will make it!

# 3952 CHAIN

Average Ultimate Strength: 60,000 lbs

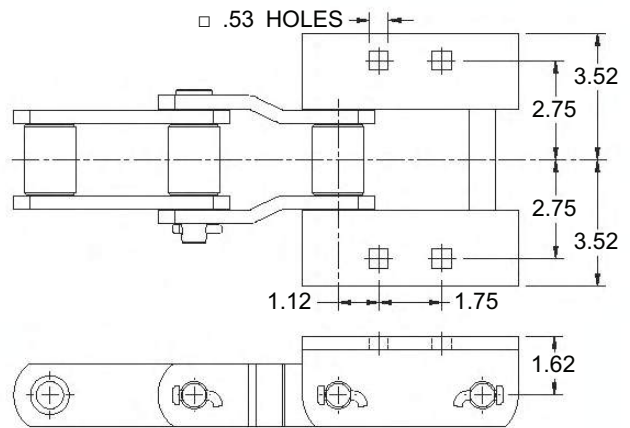
Max Working Load: 7,200 lbs

Pitches Per Foot: 3.00



## 3952 CHAIN - K2 ATTACHMENT

Weight 3L (lbs/ft): 12.30



ATTACHMENT SPACING	3L		OTHER	
	Cottered	Riveted	Cottered	Riveted
UNION® PART #	P-5836	-	Call Us	-



Custom Flights and Flight Assemblies Available




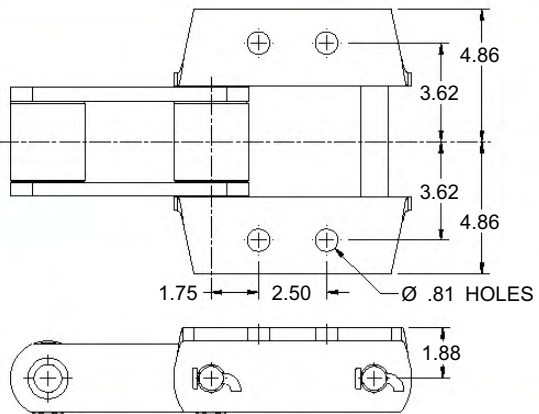
# 9856 CHAIN


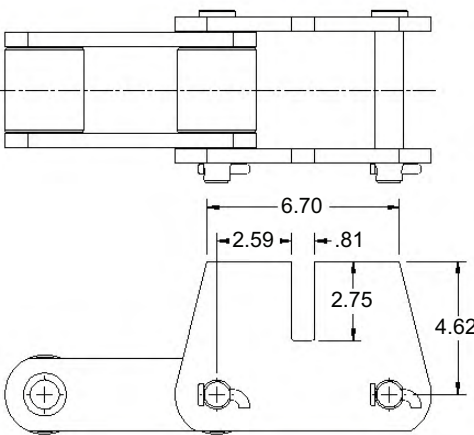
Average Ultimate Strength: 120,000 lbs


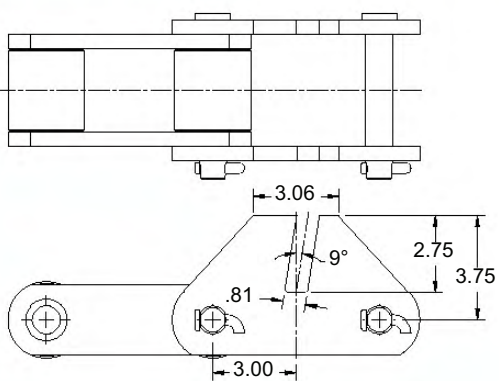
Max Working Load: 14,000 lbs

Pitches Per Foot: 2.00



9856 CHAIN - K44 ATTACHMENT					Weight 2L(lbs/ft): <b>28.00</b>
					
ATTACHMENT SPACING	2L		OTHER		
PIN TYPE	Cottered	Riveted	Cottered	Riveted	
UNION® PART #	P-10026	-	Call Us	-	

9856 CHAIN - MM1 - VERTICAL SLOT					Weight 2L (lbs/ft): <b>29.00</b>
					
ATTACHMENT SPACING	2L		OTHER		
PIN TYPE	Cottered	Riveted	Cottered	Riveted	
UNION® PART #	P-5623	-	Call Us	-	

9856 CHAIN - MM1 - ANGLED SLOT					Weight 2L (lbs/ft): <b>26.00</b>
					
ATTACHMENT SPACING	2L		OTHER		
PIN TYPE	Cottered	Riveted	Cottered	Riveted	
UNION® PART #	P-5946	-	Call Us	-	

# Dual Strand Elevator Chain

**Power and Performance.** Tsubaki Workhorse™ Series Dual Strand Elevator Chains are designed with a unique combination of premium alloy and carbon components to allow for reliable and predictable performance in your toughest applications.

## WORKHORSE™ DUAL STRAND ELEVATOR CHAINS

- Used in higher load elevator applications.
- Commonly utilized in gravity discharge systems.
- Offered in both Straight and Offset sidebar configurations.
- 9-12 inch pitch size is typical, but other sizes available.
- Smaller pitch sizes allow for faster chain speeds.
- Typical operating speeds are in the 100-200 FPM range.
- Rollers help prolong sprocket tooth life.

*G-5 Attachments*



*G-9 / G-6 Attachments*



*G-117 / G-118 Attachments*



## TYPICAL APPLICATIONS

### Bulk Material Handling

- Bucket Elevators

## COMMON INDUSTRIES



INDUSTRIAL  
MINERALS



MINING



CEMENT

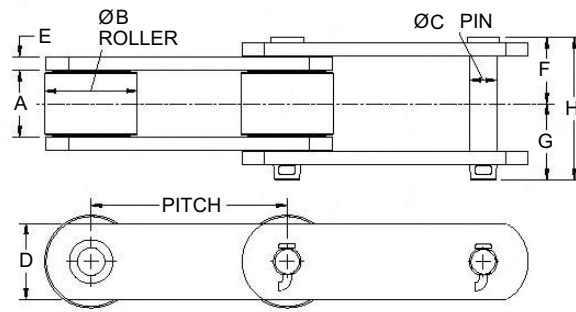


GRAIN

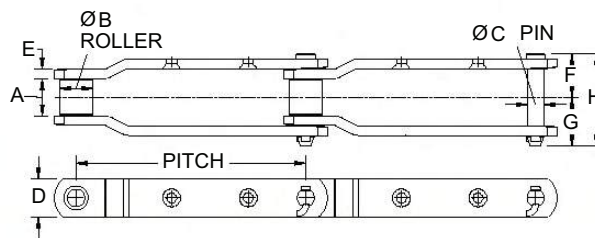


GENERAL  
MANUFACTURING

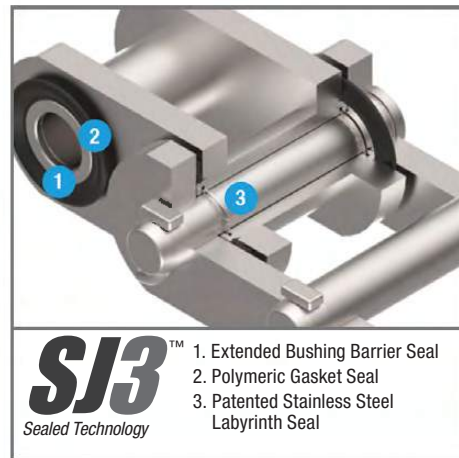
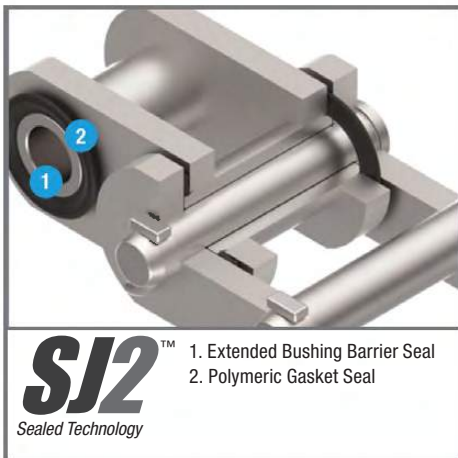
### Straight Sidebar



### Offset Sidebar



Chain Number	Pitch	Style	Attachment Detail	Dimensions								AUS (lbs.)	Max Working Load (lbs.)
				Inside Width	Roller Diameter	Pin Diameter	Sidebar Height	Sidebar Thickness	Pin Head to CL	Pin End to CL	Overall Width		
				A	B	C	D	E	F	G	H		
4004	9.000	Straight	See page 135	2.63	3.00	1.00	2.50	0.50	2.59	3.03	5.63	121,000	12,700
4009	9.000	Straight	See page 136	2.19	3.00	0.88	2.50	0.38	2.06	2.44	4.50	143,000	9,000
4035	9.000	Straight	See page 137	3.16	3.50	1.13	3.00	0.50	2.86	3.30	6.16	226,000	19,000
4037	9.000	Straight	See page 138	3.25	4.50	1.50	4.00	0.63	3.28	3.72	7.00	340,000	23,600
4065	9.000	Straight	See page 139	3.06	4.25	1.25	3.50	0.63	3.06	3.50	6.56	226,000	18,900
4251	12.000	Offset	See page 140	1.94	1.75	0.88	2.00	0.50	2.25	2.56	4.81	61,200	8,750
4265	12.000	Straight	See page 141	2.25	3.00	0.88	2.50	0.38	2.16	2.47	4.62	75,500	9,200



# DUAL STRAND ELEVATOR CHAINS

## 4004 CHAIN

9.000" PITCH  
WORKHORSE™ 4000 SERIES

Average Ultimate Strength: 121,000 lbs  
Max Working Load: 12,700 lbs  
Pitches Per Foot: 1.33

Upgrades Available:



**SJ3**<sup>™</sup>  
Compatible

**TITAN**<sup>™</sup>  
XL

<b>4004 CHAIN - PLAIN</b>		Weight (lbs/ft): <b>18.05</b>
<b>PLAIN CHAIN</b>		
PIN TYPE	Cottered	Riveted
TSUBAKI® PART #	27414	-

<b>4004 CHAIN - G5 ATTACHMENT</b>		Weight 2L (lbs/ft): <b>19.30</b>		
ATTACHMENT SPACING	2L		OTHER	
PIN TYPE	Cottered	Riveted	Cottered	Riveted
TSUBAKI® PART #	14192	-	Call Us	-

<b>4004 CHAIN - G9 ATTACHMENT</b>		Weight 2L (lbs/ft): <b>22.50</b>		
ATTACHMENT SPACING	2L		OTHER	
PIN TYPE	Cottered	Riveted	Cottered	Riveted
TSUBAKI® PART #	25328	-	Call Us	-

*Riveted Construction available upon request.*

# DUAL STRAND ELEVATOR CHAINS

## 4009 CHAIN

9.000" PITCH  
WORKHORSE™ 4000 SERIES

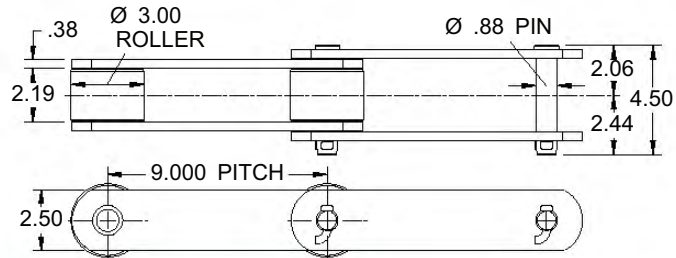
Average Ultimate Strength: 143,000 lbs  
Max Working Load: 9,000 lbs  
Pitches Per Foot: 1.33

Upgrades Available:



### 4009 CHAIN - PLAIN

Weight (lbs/ft): 13.98

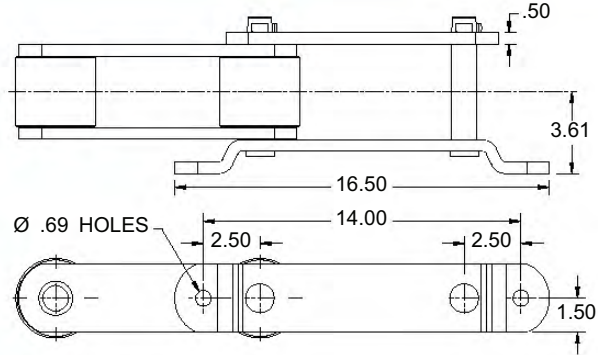


#### PLAIN CHAIN

PIN TYPE	Cottered	Riveted
TSUBAKI® PART #	27415	-

### 4009 CHAIN - G5 ATTACHMENT

Weight 2L (lbs/ft): 15.00



ATTACHMENT SPACING	2L		OTHER	
PIN TYPE	Cottered	Riveted	Cottered	Riveted
TSUBAKI® PART #	22653	-	Call Us	-

Riveted Construction available upon request.

Don't see what you need? Call us at 1-800-323-7790 and we will make it!



# DUAL STRAND ELEVATOR CHAINS

## 4035 CHAIN

9.000" PITCH  
WORKHORSE™ 4000 SERIES

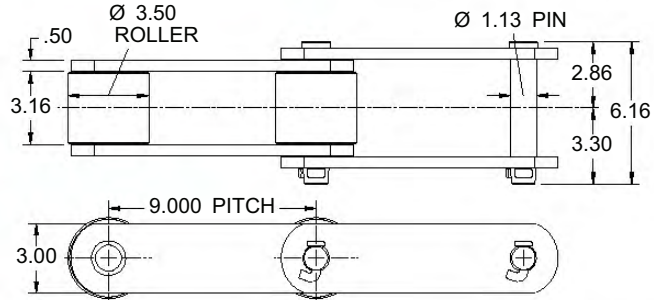
Average Ultimate Strength: 226,000 lbs  
Max Working Load: 19,000 lbs  
Pitches Per Foot: 1.33

Upgrades Available:



### 4035 CHAIN - PLAIN

Weight (lbs/ft): **24.83**

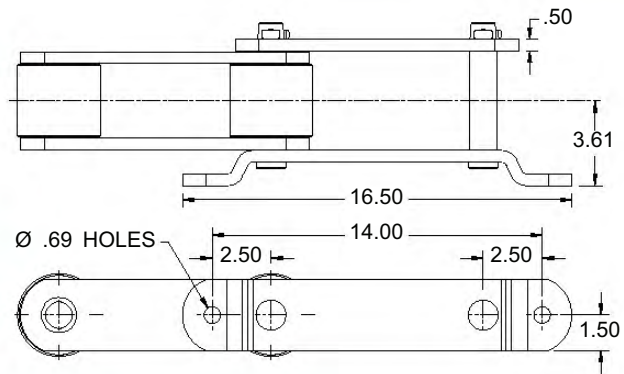


#### PLAIN CHAIN

PIN TYPE	Cottered	Riveted
TSUBAKI® PART #	27416	-

### 4035 CHAIN - G5 ATTACHMENT

Weight 2L (lbs/ft): **26.32**



ATTACHMENT SPACING	2L		OTHER	
	Cottered	Riveted	Cottered	Riveted
TSUBAKI® PART #	27417	-	Call Us	-

*Riveted Construction available upon request.*

# DUAL STRAND ELEVATOR CHAINS

## 4037 CHAIN

9.000" PITCH  
WORKHORSE™ 4000 SERIES

Average Ultimate Strength: 340,000 lbs  
Max Working Load: 23,600 lbs  
Pitches Per Foot: 1.33

Upgrades Available:

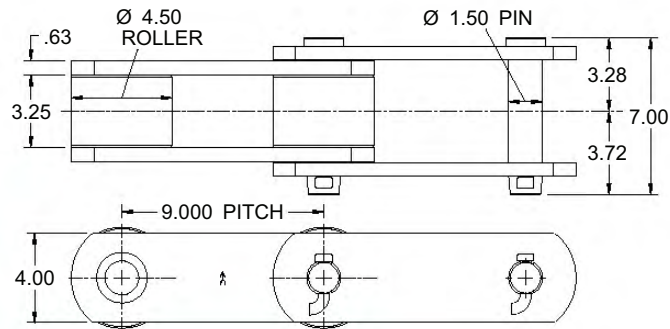


**SJ3**  
Compatible

**TITAN**  
XL

### 4037 CHAIN - PLAIN

Weight (lbs/ft): **44.36**

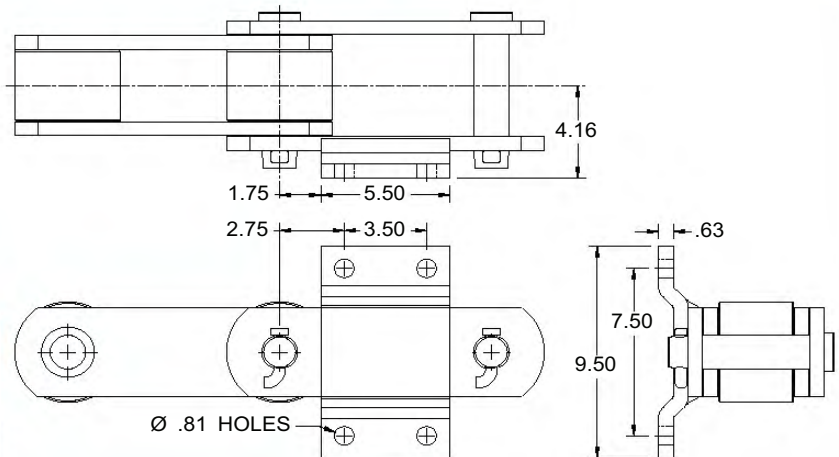


#### PLAIN CHAIN

PIN TYPE	Cottered	Riveted
TSUBAKI® PART #	27418	-

### 4037 CHAIN - G9 ATTACHMENT

Weight 2L (lbs/ft): **51.00**



ATTACHMENT SPACING	2L		OTHER	
	Cottered	Riveted	Cottered	Riveted
TSUBAKI® PART #	25329	-	Call Us	-

**Riveted Construction available upon request.**

Don't see what you need? Call us at 1-800-323-7790 and we will make it!

# DUAL STRAND ELEVATOR CHAINS

## 4065 CHAIN

9.000" PITCH  
WORKHORSE™ 4000 SERIES

Average Ultimate Strength: 226,000 lbs  
Max Working Load: 18,900 lbs  
Pitches Per Foot: 1.33

Upgrades Available:



<b>4065 CHAIN - PLAIN</b>		Weight (lbs/ft): <b>37.00</b>									
<table border="1" style="margin: auto; border-collapse: collapse;"> <thead> <tr> <th colspan="3" style="background-color: #0070C0; color: white; padding: 5px;">PLAIN CHAIN</th> </tr> <tr> <th style="background-color: #0070C0; color: white; padding: 5px;">PIN TYPE</th> <th style="background-color: #0070C0; color: white; padding: 5px;">Cottered</th> <th style="background-color: #0070C0; color: white; padding: 5px;">Riveted</th> </tr> </thead> <tbody> <tr> <td style="background-color: #0070C0; color: white; padding: 5px;">TSUBAKI® PART #</td> <td style="text-align: center; padding: 5px;">23440</td> <td style="text-align: center; padding: 5px;">-</td> </tr> </tbody> </table>			PLAIN CHAIN			PIN TYPE	Cottered	Riveted	TSUBAKI® PART #	23440	-
PLAIN CHAIN											
PIN TYPE	Cottered	Riveted									
TSUBAKI® PART #	23440	-									

<b>4065 CHAIN - G5 ATTACHMENT</b>		Weight 2L (lbs/ft): <b>38.80</b>																
<table border="1" style="margin: auto; border-collapse: collapse;"> <thead> <tr> <th style="background-color: #0070C0; color: white; padding: 5px;">ATTACHMENT SPACING</th> <th colspan="2" style="background-color: #0070C0; color: white; padding: 5px;">2L</th> <th colspan="2" style="background-color: #0070C0; color: white; padding: 5px;">OTHER</th> </tr> <tr> <th style="background-color: #0070C0; color: white; padding: 5px;">PIN TYPE</th> <th style="background-color: #0070C0; color: white; padding: 5px;">Cottered</th> <th style="background-color: #0070C0; color: white; padding: 5px;">Riveted</th> <th style="background-color: #0070C0; color: white; padding: 5px;">Cottered</th> <th style="background-color: #0070C0; color: white; padding: 5px;">Riveted</th> </tr> </thead> <tbody> <tr> <td style="background-color: #0070C0; color: white; padding: 5px;">TSUBAKI® PART #</td> <td style="text-align: center; padding: 5px;">18818</td> <td style="text-align: center; padding: 5px;">-</td> <td style="text-align: center; padding: 5px;">Call Us</td> <td style="text-align: center; padding: 5px;">-</td> </tr> </tbody> </table>		ATTACHMENT SPACING	2L		OTHER		PIN TYPE	Cottered	Riveted	Cottered	Riveted	TSUBAKI® PART #	18818	-	Call Us	-		
ATTACHMENT SPACING	2L		OTHER															
PIN TYPE	Cottered	Riveted	Cottered	Riveted														
TSUBAKI® PART #	18818	-	Call Us	-														

<b>4065 CHAIN - G9 ATTACHMENT</b>		Weight 2L (lbs/ft): <b>42.50</b>																
<table border="1" style="margin: auto; border-collapse: collapse;"> <thead> <tr> <th style="background-color: #0070C0; color: white; padding: 5px;">ATTACHMENT SPACING</th> <th colspan="2" style="background-color: #0070C0; color: white; padding: 5px;">2L</th> <th colspan="2" style="background-color: #0070C0; color: white; padding: 5px;">OTHER</th> </tr> <tr> <th style="background-color: #0070C0; color: white; padding: 5px;">PIN TYPE</th> <th style="background-color: #0070C0; color: white; padding: 5px;">Cottered</th> <th style="background-color: #0070C0; color: white; padding: 5px;">Riveted</th> <th style="background-color: #0070C0; color: white; padding: 5px;">Cottered</th> <th style="background-color: #0070C0; color: white; padding: 5px;">Riveted</th> </tr> </thead> <tbody> <tr> <td style="background-color: #0070C0; color: white; padding: 5px;">TSUBAKI® PART #</td> <td style="text-align: center; padding: 5px;">18866</td> <td style="text-align: center; padding: 5px;">-</td> <td style="text-align: center; padding: 5px;">Call Us</td> <td style="text-align: center; padding: 5px;">-</td> </tr> </tbody> </table>		ATTACHMENT SPACING	2L		OTHER		PIN TYPE	Cottered	Riveted	Cottered	Riveted	TSUBAKI® PART #	18866	-	Call Us	-		
ATTACHMENT SPACING	2L		OTHER															
PIN TYPE	Cottered	Riveted	Cottered	Riveted														
TSUBAKI® PART #	18866	-	Call Us	-														

*Riveted Construction available upon request.*

07.2019

# DUAL STRAND ELEVATOR CHAINS

## 4251 CHAIN

12.000" PITCH  
WORKHORSE™ 4000 SERIES

Average Ultimate Strength: 61,200 lbs  
Max Working Load: 8,750 lbs  
Pitches Per Foot: 1.00

Upgrades Available:



<b>4251 CHAIN - PLAIN</b>	Weight (lbs/ft): <b>9.80</b>	
<b>PLAIN CHAIN</b>		
PIN TYPE	Cottered	Riveted
<b>TSUBAKI®</b> PART #	27419	-

<b>4251 CHAIN - G-117 ATTACHMENT</b>	Weight 1L (lbs/ft): <b>9.30</b>			
ATTACHMENT SPACING	1L	OTHER		
PIN TYPE	Cottered	Riveted	Cottered	Riveted
<b>TSUBAKI®</b> PART #	27420	-	Call Us	-

<b>4251 CHAIN - G-118 ATTACHMENT</b>	Weight 1L (lbs/ft): <b>9.00</b>			
ATTACHMENT SPACING	1L	OTHER		
PIN TYPE	Cottered	Riveted	Cottered	Riveted
<b>TSUBAKI®</b> PART #	27421	-	Call Us	-

**Riveted Construction available upon request.**

**Don't see what you need? Call us at 1-800-323-7790 and we will make it!**

Average Ultimate Strength: 75,500 lbs

Max Working Load: 9,200 lbs

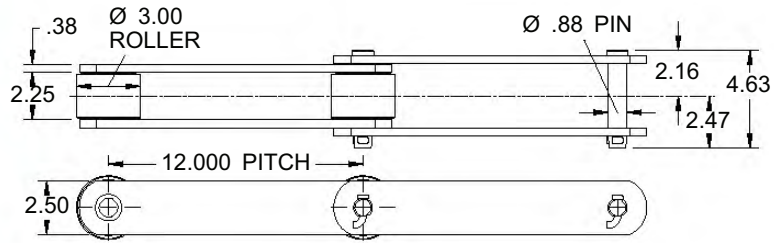
Pitches Per Foot: 1.00

Upgrades Available:



## 4265 CHAIN - PLAIN

Weight 1L (lbs/ft): **12.10**

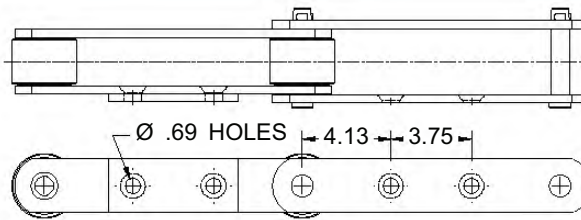


### PLAIN CHAIN

PIN TYPE	Cottered	Riveted
TSUBAKI® PART #	27422	-

## 4265 CHAIN - G6 ATTACHMENT

Weight 1L (lbs/ft): **12.00**



ATTACHMENT SPACING	1L		2L		OTHER	
	Cottered	Riveted	Cottered	Riveted	Cottered	Riveted
TSUBAKI® PART #	27423	-	27424	-	Call Us	-

*Riveted Construction available upon request.*

# Steel Bushed Chains

Excellent for severe working conditions, particularly those with grit or abrasive particulate. Utilizes premium steels throughout and proprietary, precisely controlled heat treatments.



## TYPICAL APPLICATIONS

### Bulk Material Handling

- Bucket Elevators
- Feeders
- Drag Conveyors

### PINS

- Alloy or premium grade carbon steel.
- Heat treated for superior strength and toughness.
  - Core – Through hardened for superior impact resistance.
  - Surface – Case or Induction hardened for extended wear resistance.
- Precision manufactured to maintain high interference fit with sidebars.
  - Prevents pin rotation and subsequent sidebar wear.

### BUSHINGS

- Alloy or premium grade carbon steel.
- Heat treated for superior strength.
  - Core – Through hardened for toughness/impact resistance.
  - Surface – Case hardened for ultimate/extended wear resistance.
- Precision machined to maintain smooth bearing surfaces and high interference fit with sidebars.
  - Favorable residual stresses resist fatigue and allow for extended life.

### SIDEBARS

- Alloy or premium grade carbon steel.
- Through hardened for superior strength, toughness and fatigue resistance.
- Proprietary manufacturing processes ensure consistent hole quality and precise pitch control.
  - Favorable residual stresses resist fatigue and allow for extended life.

## COMMON INDUSTRIES



INDUSTRIAL  
MINERALS



MINING



CEMENT



GRAIN

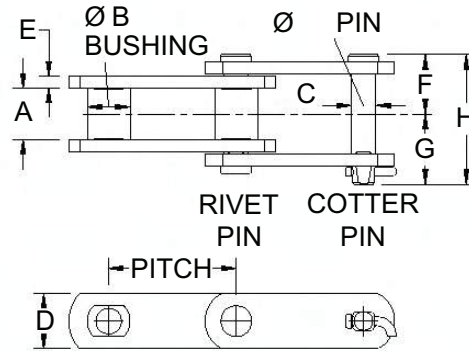


FERTILIZER

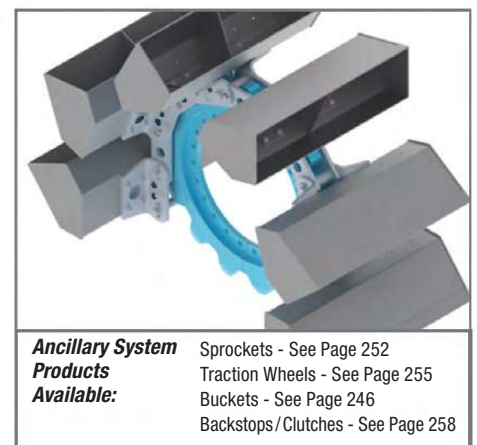
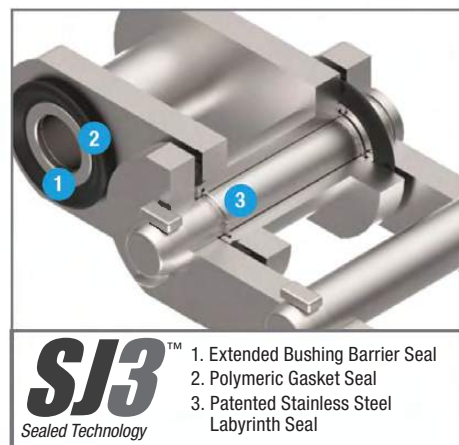
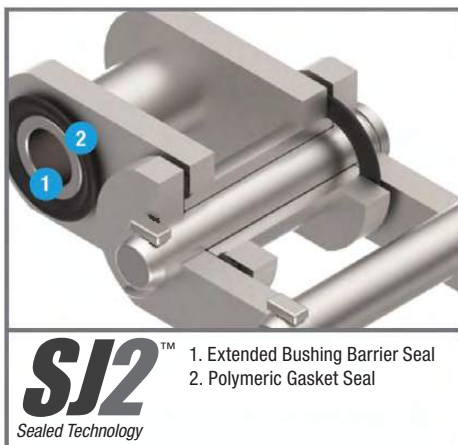


SUGAR  
PROCESSING

Don't see what you need? Call us at 1-800-323-7790 and we will make it!



Chain Number	Pitch	Attachment Detail	Dimensions								AUS (lbs.)	Max Working Load (lbs.)
			Inside Width	Bushing Diameter	Pin Diameter	Sidebar Height	Sidebar Thick	Pin Head to CL	Pin End to CL	Overall Width		
			A	B	C	D	E	F	G	H		
188	2.609	See page 144	1.06	0.88	0.50	1.13	0.25	1.22	1.44	2.66	25,000	2,750
131	3.075	See page 147	1.31	1.25	0.63	1.50	0.38	1.59	1.88	3.47	40,000	4,500
102B	4.000	See page 149	2.13	1.00	0.63	1.50	0.38	2.00	2.28	4.28	40,000	6,300
102-1/2	4.040	See page 151	2.25	1.38	0.75	1.75	0.38	2.06	2.47	4.53	50,000	8,850
111	4.760	See page 153	2.63	1.44	0.75	2.00	0.38	2.28	2.66	4.94	50,000	8,850
110	6.000	See page 155	2.13	1.25	0.63	1.50	0.38	2.00	2.28	4.28	40,000	6,300
833	6.000	See page 157	2.63	1.44	0.75	2.00	0.38	2.34	2.66	5.00	74,500	8,850
150X	6.050	See page 159	3.31	1.75	1.00	2.50	0.50	2.94	3.37	6.31	100,000	15,100
856	6.000	See page 161	3.00	1.75	1.00	2.50	0.50	2.78	3.22	6.00	145,000	14,000
956	6.000	See page 163	3.00	1.75	1.00	3.00	0.50	2.78	3.22	6.00	160,000	14,000
857	6.000	See page 164	3.00	1.75	1.00	3.25	0.50	2.78	3.22	6.00	174,000	14,000
958	6.000	See page 165	3.00	1.99	1.19	3.38	0.56	2.84	3.28	6.13	206,000	17,000
859	6.000	See page 166	3.75	2.38	1.25	4.00	0.63	3.41	3.84	7.25	264,000	21,800
864	7.000	See page 167	3.75	2.38	1.25	4.00	0.63	3.41	3.84	7.25	275,000	22,000
984	7.000	See page 168	3.75	2.50	1.38	4.00	0.63	3.41	3.84	7.25	285,000	20,000



# STEEL BUSHED CHAINS

## 188 CHAIN

2.609" PITCH

Average Ultimate Strength: 25,000 lbs  
 Max Working Load: 2,750 lbs  
 Pitches Per Foot: 4.60

Upgrades Available:



**CORROSION  
RESISTANCE**

**TITAN™  
XL**



**SJ2™**  
Sealed Technology

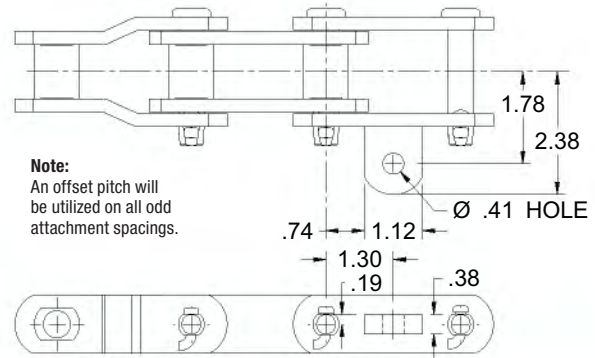
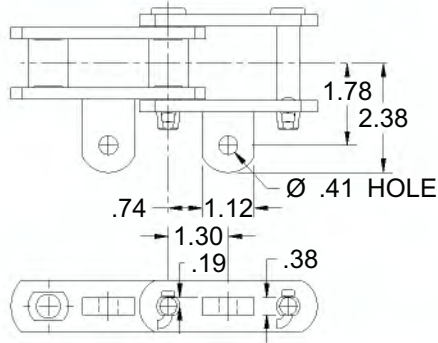
188 CHAIN - PLAIN			Weight (lbs/ft): <b>3.80</b>
<b>PLAIN CHAIN</b>			
PIN TYPE	Cottered	Riveted	
TSUBAKI PART #	13032	26912	
UNION PART #	P-7031	-	
TSUBAKI TITAN XL PART #	29314	-	

188 CHAIN - A1/A2 ATTACHMENTS							Weight 1L (lbs/ft): <b>4.67</b>					
ATTACHMENT SPACING	1L		2L		3L		4L		5L		>5L	
PIN TYPE	Cottered	Riveted	Cottered	Riveted	Cottered	Riveted	Cottered	Riveted	Cottered	Riveted	Cottered	Riveted
TSUBAKI PART #	26778	26779	24152	26780	26781	26782	25983	26783	26784	26785	Call Us	
TSUBAKI TITAN XL PART #	29315	-	29316	-	29317	-	29318	-	29319	-	Call Us	



## 188 CHAIN - A42 ATTACHMENTS

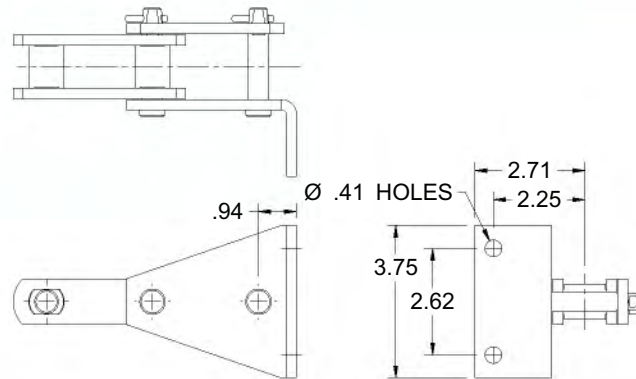
Weight 1L (lbs/ft): **4.67**



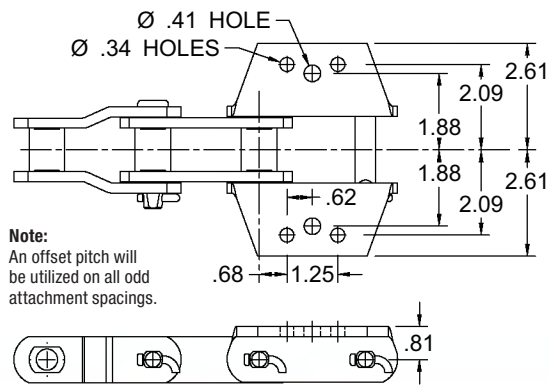
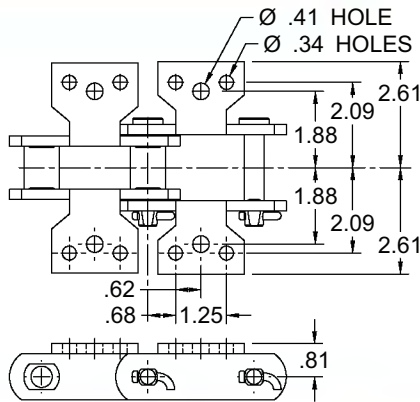
ATTACHMENT SPACING	1L		2L		3L		4L		5L		>5L	
PIN TYPE	Cottered	Riveted	Cottered	Riveted	Cottered	Riveted	Cottered	Riveted	Cottered	Riveted	Cottered	Riveted
<b>TSUBAKI</b> PART #	26913	26914	26915	26916	26917	26918	26919	26920	26921	26922	Call Us	
<b>TSUBAKI TITAN XL</b> PART #	29320	-	29321	-	29322	-	29323	-	29324	-	Call Us	

## 188 CHAIN - G19 ATTACHMENTS

Weight 6L (lbs/ft): **4.50**



ATTACHMENT SPACING	6L	18L	OTHER
PIN TYPE	Cottered	Cottered	Cottered
<b>UNION</b> PART #	25973	25114	Call Us
<b>TSUBAKI TITAN XL</b> PART #	29325	29326	Call Us



ATTACHMENT SPACING	1L		2L		3L		4L		5L		>5L	
	Cottered	Riveted	Cottered	Riveted	Cottered	Riveted	Cottered	Riveted	Cottered	Riveted	Cottered	Riveted
<b>TSUBAKI</b> PART #	26786	26787	23980	26788	23981	26789	24013	26790	24240	26791	Call Us	
<b>TSUBAKI TITAN XL</b> PART #	29327	-	29328	-	29329	-	29330	-	29331	-	Call Us	

# 131 CHAIN

Average Ultimate Strength: 40,000 lbs  
 Max Working Load: 4,500 lbs  
 Pitches Per Foot: 3.90

Upgrades Available:



**TITAN™ XL**



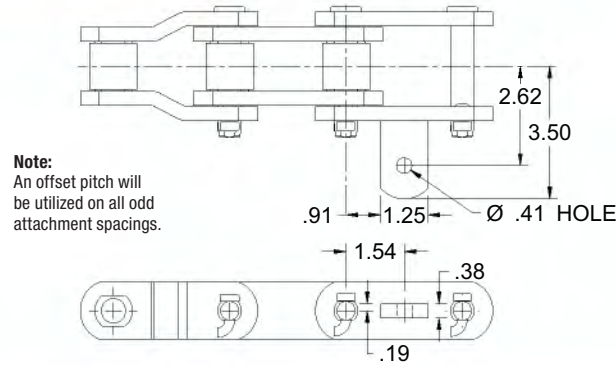
**SJ2™**  
 Sealed Technology

<b>131 CHAIN - PLAIN</b>		Weight (lbs/ft): <b>5.25</b>
<b>PLAIN CHAIN</b>		
PIN TYPE	Cottered	Riveted
<b>TSUBAKI</b> PART #	13033	26891
<b>TSUBAKI</b> <b>TITAN XL™</b> PART #	26924	-

<b>131 CHAIN - A2 ATTACHMENTS</b>		Weight 2L (lbs/ft): <b>6.00</b>								
<p><b>Note:</b> An offset pitch will be utilized on all odd attachment spacings.</p>										
ATTACHMENT SPACING	2L		3L		4L		5L		>5L	
PIN TYPE	Cottered	Riveted	Cottered	Riveted	Cottered	Riveted	Cottered	Riveted	Cottered	Riveted
<b>TSUBAKI</b> PART #	26925	26927	26928	26930	25138	26932	26933	26935	Call Us	
<b>TSUBAKI</b> <b>TITAN XL™</b> PART #	26926	-	26929	-	26931	-	26934	-	Call Us	

### 131 CHAIN - A42 ATTACHMENTS

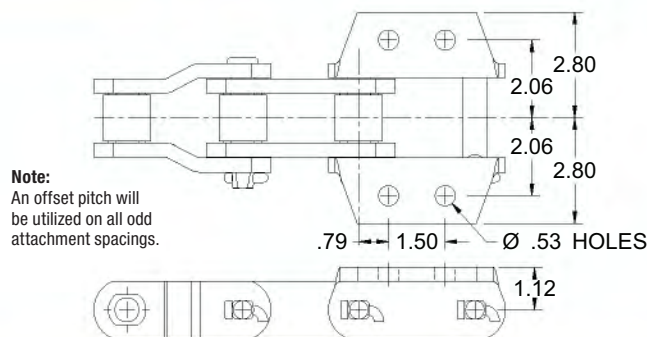
Weight 2L (lbs/ft): **6.00**



ATTACHMENT SPACING	2L		3L		4L		5L		>5L	
	Cottered	Riveted	Cottered	Riveted	Cottered	Riveted	Cottered	Riveted	Cottered	Riveted
<b>TSUBAKI</b> PART #	26936	26938	26939	26941	26942	26944	26945	26947	Call Us	
<b>TSUBAKI TITAN XL™</b> PART #	26937	-	26940	-	26943	-	26946	-	Call Us	

### 131 CHAIN - K2 ATTACHMENTS

Weight 2L (lbs/ft): **6.50**



ATTACHMENT SPACING	2L		3L		4L		5L		>5L	
	Cottered	Riveted	Cottered	Riveted	Cottered	Riveted	Cottered	Riveted	Cottered	Riveted
<b>TSUBAKI</b> PART #	23986	26949	23987	26951	14844	26953	26425	26955	Call Us	
<b>TSUBAKI TITAN XL™</b> PART #	26948	-	26950	-	26952	-	26954	-	Call Us	

# STEEL BUSHED CHAINS

## 102B CHAIN

4.000" PITCH  
WORKHORSE™ PONY SERIES

Average Ultimate Strength: 40,000 lbs

Max Working Load: 6,300 lbs

Pitches Per Foot: 3.00

Upgrades Available:



**TITAN™ XL**



**SJ2™**  
Sealed Technology

<b>102B CHAIN - PLAIN</b>	Weight (lbs/ft): <b>6.90</b>
<b>PLAIN CHAIN</b>	
PIN TYPE	Cottered
TSUBAKI PART #	26742
TSUBAKI TITAN XL PART #	26701

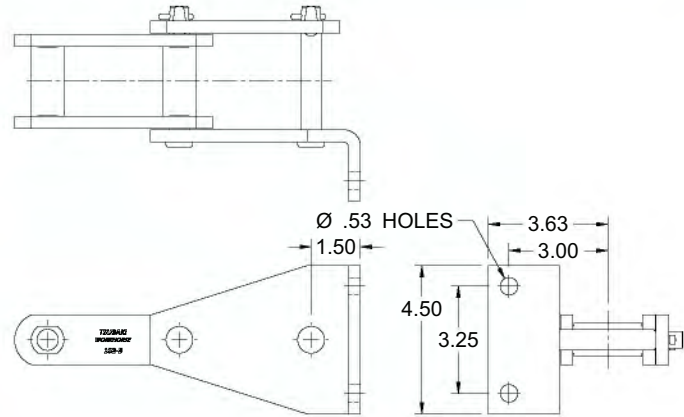
<b>102B CHAIN - A1/A2 ATTACHMENTS</b>						Weight 2L (lbs/ft): <b>8.00</b>
ATTACHMENT SPACING	2L	3L	4L	5L	>5L	
PIN TYPE	Cottered	Cottered	Cottered	Cottered	Cottered	
TSUBAKI PART #	26743	26674	26744	26675	Call Us	
TSUBAKI TITAN XL PART #	26702	26703	26704	26705	Call Us	

**Note:**  
An offset pitch will be utilized on all odd attachment spacings.

## 102B CHAIN - G19 ATTACHMENTS

Weight 2L (lbs/ft): **8.30**

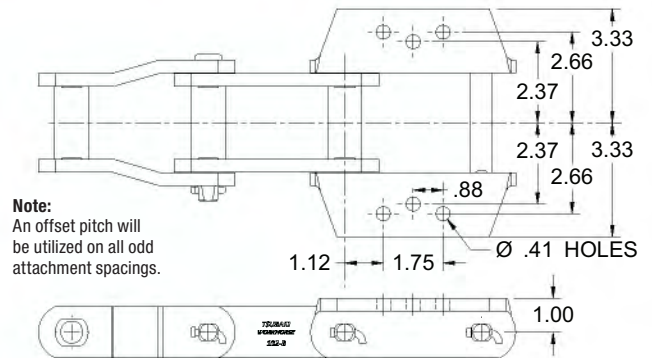
ATTACHMENT SPACING	2L		4L	
	Cottered	Riveted	Cottered	Riveted
<b>TSUBAKI</b> PART #	26956	26958	26959	26961
<b>TSUBAKI TITAN XL</b> PART #	26957	-	26960	-



## 102B CHAIN - K1/K2 ATTACHMENTS

Weight 2L(lbs/ft): **9.00**

ATTACHMENT SPACING	2L	3L	4L	5L	>5L
	Cottered	Cottered	Cottered	Cottered	Cottered
<b>TSUBAKI</b> PART #	26745	26746	26747	26748	Call Us
<b>TSUBAKI TITAN XL</b> PART #	26706	26707	26708	26709	Call Us



# STEEL BUSHED CHAINS

## 102 1/2 CHAIN

4.040" PITCH

Average Ultimate Strength: 50,000 lbs  
 Max Working Load: 8,850 lbs  
 Pitches Per Foot: 2.97

Upgrades Available:



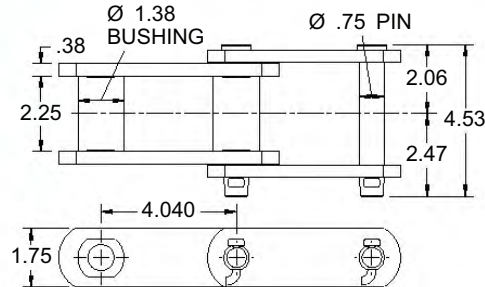
**TITAN™ XL**



**SJ2™**  
 Sealed Technology

### 102 1/2 CHAIN - PLAIN

Weight (lbs/ft): **10.00**

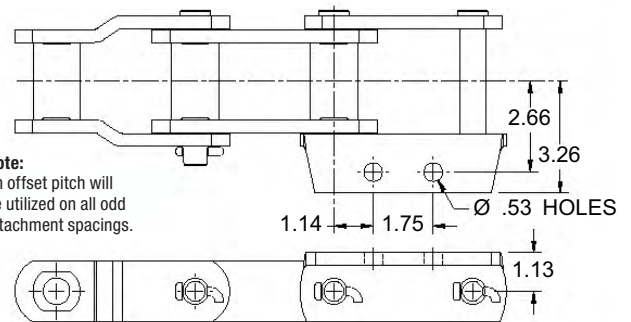


#### PLAIN CHAIN

PIN TYPE	Cottered
TSUBAKI PART #	26999
TSUBAKI TITAN XL™ PART #	27000

### 102 1/2 CHAIN - A2 ATTACHMENTS

Weight 2L (lbs/ft): **10.50**

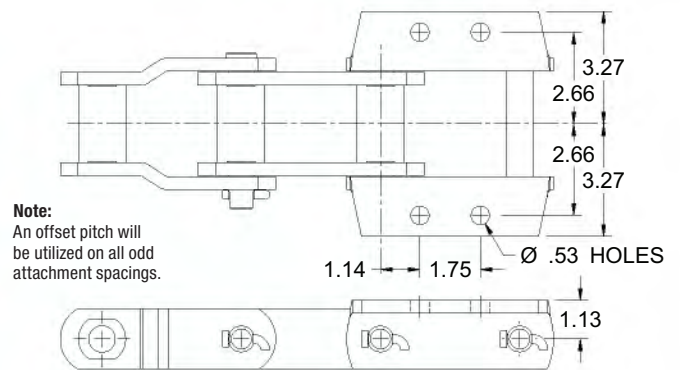


**Note:**  
 An offset pitch will be utilized on all odd attachment spacings.

ATTACHMENT SPACING	2L	3L	4L	5L	>5L
PIN TYPE	Cottered	Cottered	Cottered	Cottered	Cottered
TSUBAKI PART #	27001	27003	27005	27007	Call Us
TSUBAKI TITAN XL™ PART #	27002	27004	27006	27008	Call Us

102B / 102 1/2 — STEEL BUSHED CHAIN

ATTACHMENT SPACING	2L	3L	4L	5L	>5L
PIN TYPE	Cottered	Cottered	Cottered	Cottered	Cottered
<b>TSUBAKI</b> PART #	27009	27011	26509	27014	Call Us
<b>TSUBAKI TITAN XL™</b> PART #	27010	27012	27013	27015	Call Us





# 111 CHAIN

Average Ultimate Strength: 50,000 lbs

Max Working Load: 8,850 lbs

Pitches Per Foot: 2.52

Upgrades Available:



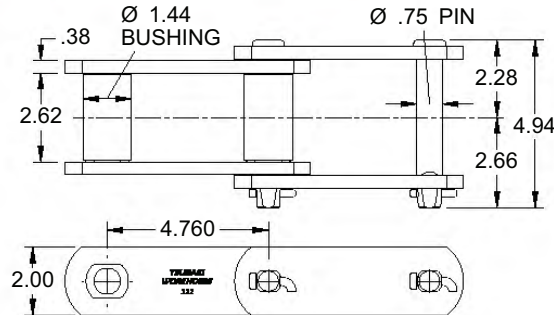
TITAN™ XL



SJ2™  
Compatible

## 111 CHAIN - PLAIN

Weight (lbs/ft): 10.30

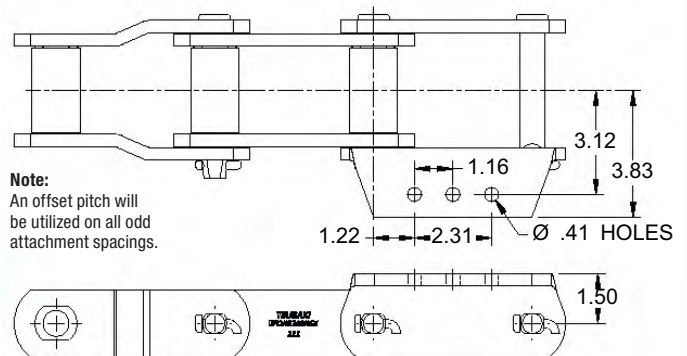


### PLAIN CHAIN

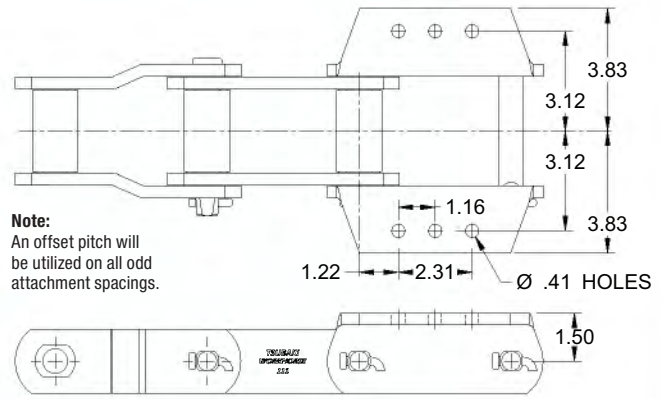
PIN TYPE	Cottered
TSUBAKI PART #	26676
TSUBAKI TITAN XL PART #	26749

## 111 CHAIN - A1/A2 ATTACHMENTS

Weight 2L (lbs/ft): 12.40



ATTACHMENT SPACING	2L	3L	4L	5L	>5L
PIN TYPE	Cottered	Cottered	Cottered	Cottered	Cottered
TSUBAKI PART #	26677	26678	26679	26680	Call Us
TSUBAKI TITAN XL PART #	26750	26751	26752	26753	Call Us



ATTACHMENT SPACING	2L	3L	4L	5L	>5L
PIN TYPE	Cottered	Cottered	Cottered	Cottered	Cottered
TSUBAKI PART #	26681	26682	26683	26684	Call Us
TSUBAKI TITAN XL PART #	26754	26755	26756	26757	Call Us

# 110 CHAIN

Average Ultimate Strength: 40,000 lbs

Max Working Load: 6,300 lbs

Pitches Per Foot: 2.00

Upgrades Available:



TITAN™ XL

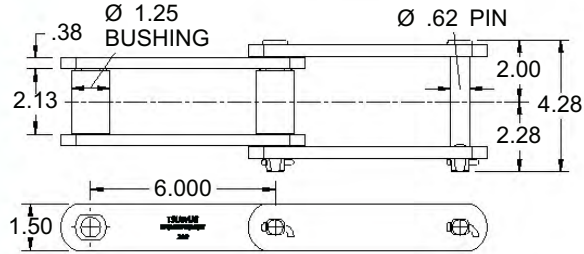


SJ2™  
Sealed Technology

## 110 CHAIN - PLAIN

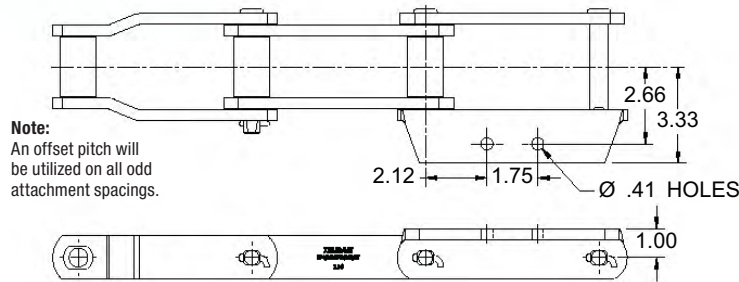
Weight (lbs/ft): 6.30

PLAIN CHAIN	
PIN TYPE	Cottered
TSUBAKI PART #	26714
TSUBAKI TITAN XL PART #	26725

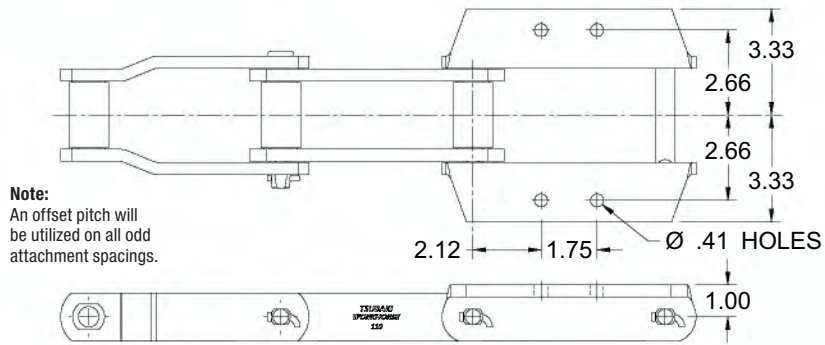


## 110 CHAIN - A2 ATTACHMENTS

Weight 2L (lbs/ft): 7.50



ATTACHMENT SPACING	2L	3L	4L	5L	>5L
PIN TYPE	Cottered	Cottered	Cottered	Cottered	Cottered
TSUBAKI PART #	26715	26716	26717	26718	Call Us
TSUBAKI TITAN XL PART #	26726	26727	26728	26729	Call Us



ATTACHMENT SPACING	2L	3L	4L	5L	>5L
PIN TYPE	Cottered	Cottered	Cottered	Cottered	Cottered
<b>TSUBAKI</b> PART #	26719	26720	26721	26722	Call Us
<b>TSUBAKI TITAN XL</b> PART #	26730	26731	26732	26733	Call Us

Average Ultimate Strength: 74,500 lbs  
Max Working Load: 8,850 lbs  
Pitches Per Foot: 2.00

Upgrades Available:



TITAN™ XL



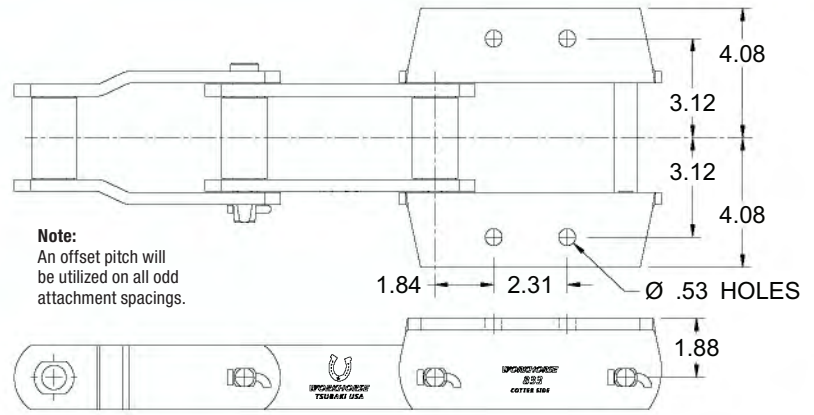
SJ2™  
Sealed Technology

833 CHAIN - PLAIN		Weight (lbs/ft): 9.50
PLAIN CHAIN		
PIN TYPE	Cottered	
TSUBAKI PART #	26963	
TSUBAKI TITAN XL™ PART #	26964	

833 CHAIN - A24 ATTACHMENTS				Weight 2L (lbs/ft): 11.50
ATTACHMENT SPACING	2L	3L	OTHER	
PIN TYPE	Cottered		Cottered	
TSUBAKI PART #	26965	26967	Call Us	
TSUBAKI TITAN XL™ PART #	26966	26968	Call Us	

**Note:**  
An offset pitch will be utilized on all odd attachment spacings.

ATTACHMENT SPACING	2L	3L	OTHER
PIN TYPE	Cottered	Cottered	Cottered
<b>TSUBAKI</b> PART #	23998	26970	Call Us
<b>TSUBAKI TITAN XL™</b> PART #	26969	26971	Call Us



# STEEL BUSHED CHAINS

## 150X CHAIN

6.050" PITCH

Average Ultimate Strength: 100,000 lbs  
 Max Working Load: 15,100 lbs  
 Pitches Per Foot: 1.98

Upgrades Available:



TITAN™ XL

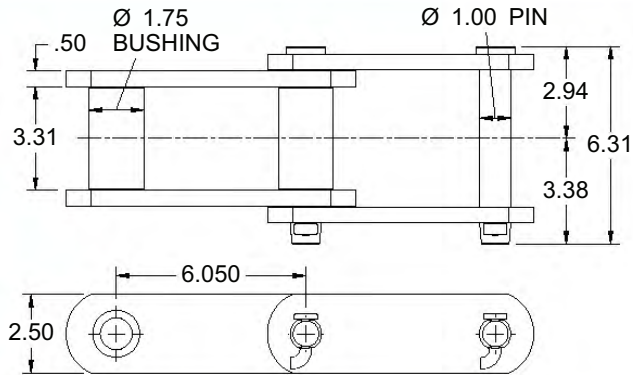


SJ2™  
 Sealed Technology

### 150X CHAIN - PLAIN

### Steel Bushed Chains

Weight (lbs/ft): 16.75

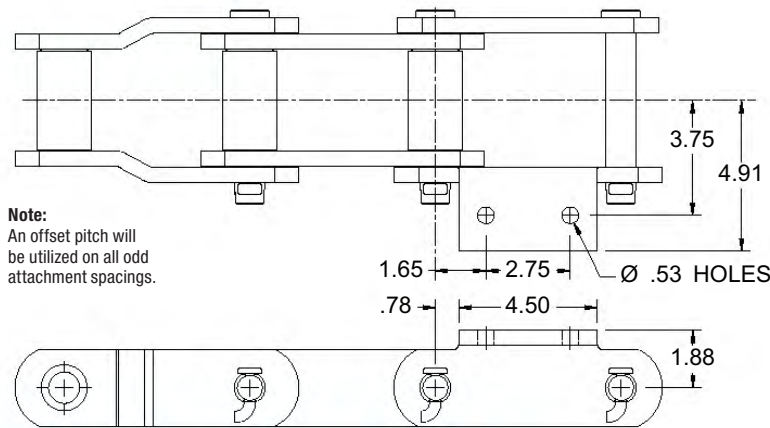


#### PLAIN CHAIN

PIN TYPE	Cottered
TSUBAKI PART #	4292
TSUBAKI TITAN XL™ PART #	26972

### 150X CHAIN - A2 ATTACHMENTS

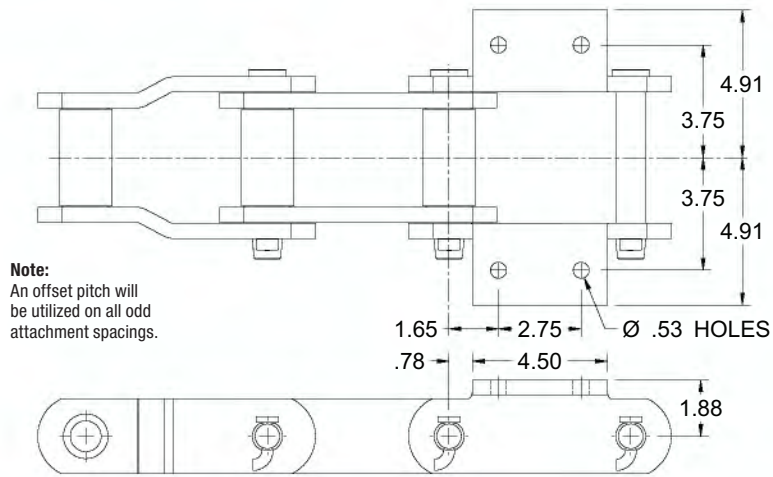
Weight 1L (lbs/ft): 20.00



**Note:**  
 An offset pitch will be utilized on all odd attachment spacings.

ATTACHMENT SPACING	1L	2L	3L	4L	5L	>5L
PIN TYPE	Cottered	Cottered	Cottered	Cottered	Cottered	Cottered
TSUBAKI PART #	26987	26973	26975	26989	26991	Call Us
TSUBAKI TITAN XL™ PART #	26988	26974	26976	26990	26992	Call Us

833 / 150X — STEEL BUSHED CHAIN



ATTACHMENT SPACING	1L	2L	3L	4L	5L	>5L
PIN TYPE	Cottered	Cottered	Cottered	Cottered	Cottered	Cottered
TSUBAKI PART #	26993	16799	26979	26995	26997	Call Us
TSUBAKI TITAN XL™ PART #	26994	26978	26980	26996	26998	Call Us



Average Ultimate Strength: 145,000 lbs  
Max Working Load: 14,000 lbs  
Pitches Per Foot: 2.00

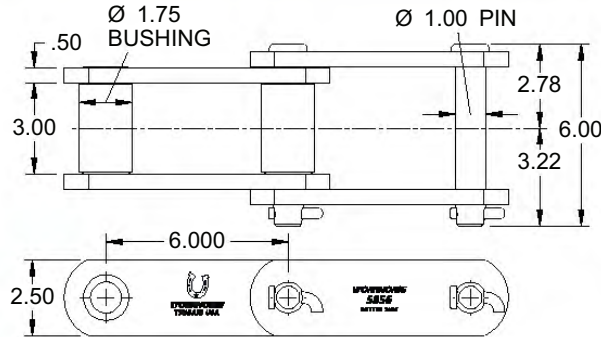
Upgrades Available:



## 856 CHAIN - PLAIN

Weight (lbs/ft): 16.00

PLAIN CHAIN	
PIN TYPE	Cottered
TSUBAKI PART #	27016
TSUBAKI TITAN XL™ PART #	27017

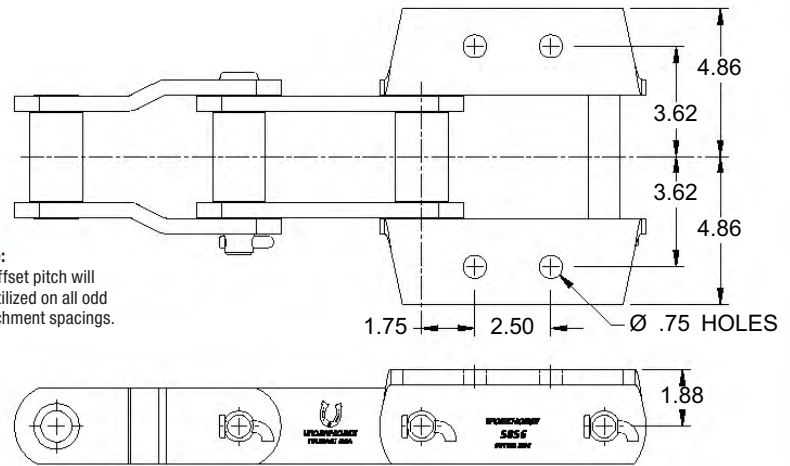


## 856 CHAIN - K24 ATTACHMENTS

Weight 2L (lbs/ft): 22.00

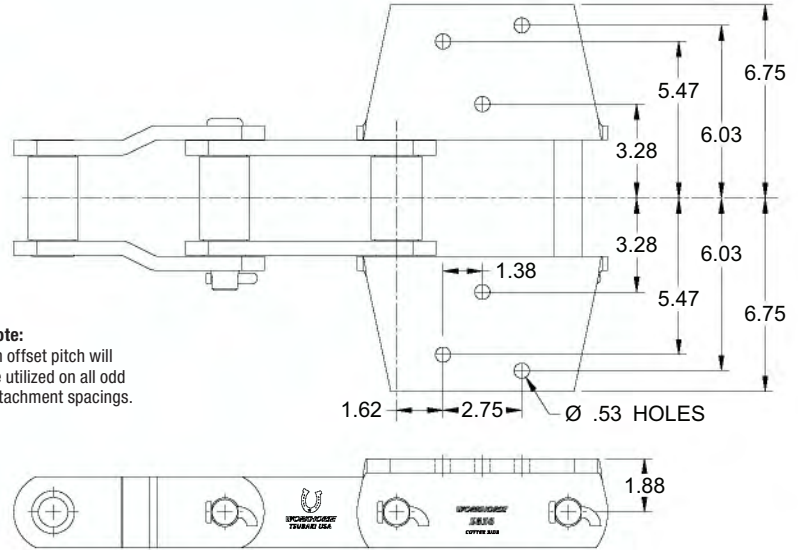
ATTACHMENT SPACING	2L	3L	OTHER
PIN TYPE	Cottered	Cottered	Cottered
TSUBAKI PART #	26876	27021	Call Us
TSUBAKI TITAN XL™ PART #	27020	27022	Call Us

**Note:**  
An offset pitch will be utilized on all odd attachment spacings.



### 856 CHAIN - K3 ATTACHMENTS

Weight 2L (lbs/ft): **20.00**

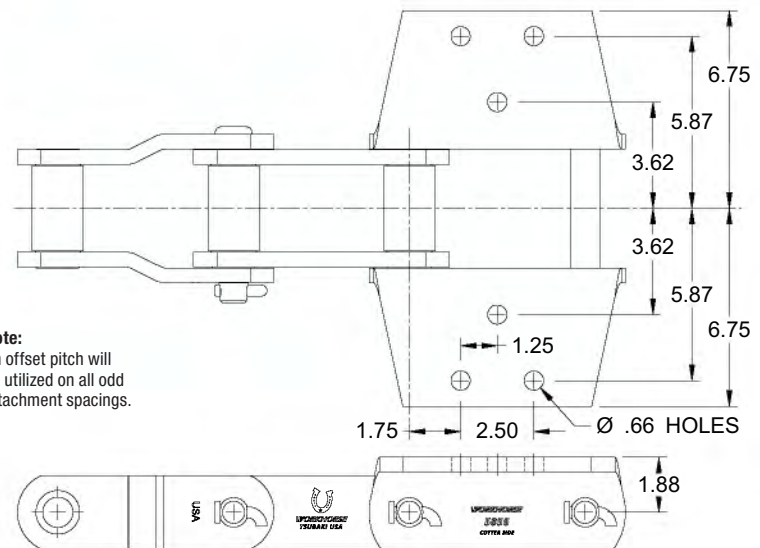


**Note:**  
An offset pitch will be utilized on all odd attachment spacings.

ATTACHMENT SPACING	2L	3L	OTHER
PIN TYPE	Cottered	Cottered	Cottered
TSUBAKI PART #	26878	26879	Call Us
TSUBAKI TITAN XL™ PART #	27018	27019	Call Us

### 856 CHAIN - K35 ATTACHMENTS

Weight 2L (lbs/ft): **22.50**



**Note:**  
An offset pitch will be utilized on all odd attachment spacings.

ATTACHMENT SPACING	2L	3L	OTHER
PIN TYPE	Cottered	Cottered	Cottered
TSUBAKI PART #	26877	27024	Call Us
TSUBAKI TITAN XL™ PART #	27023	27025	Call Us

# 956 CHAIN

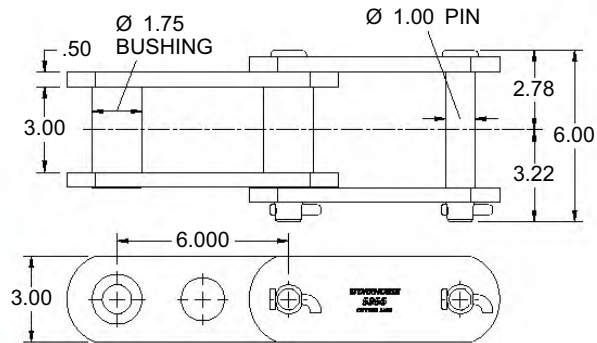
Average Ultimate Strength: 160,000 lbs  
Max Working Load: 14,000 lbs  
Pitches Per Foot: 2.00

Upgrades Available:



## 956 CHAIN - PLAIN

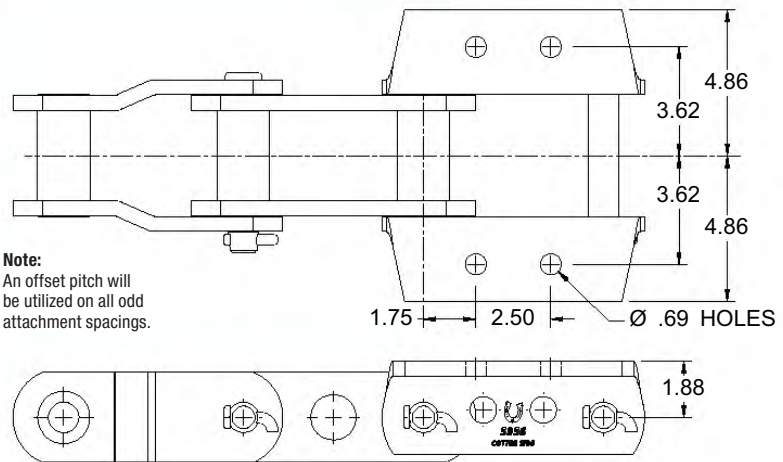
Weight (lbs/ft): 18.75



PLAIN CHAIN	
PIN TYPE	Cottered
TSUBAKI PART #	27041
TSUBAKI TITAN XL™ PART #	27042

## 956 CHAIN - K24 ATTACHMENTS

Weight 2L (lbs/ft): 48.00



**Note:**  
An offset pitch will be utilized on all odd attachment spacings.

ATTACHMENT SPACING	2L	3L	OTHER
PIN TYPE	Cottered	Cottered	Cottered
TSUBAKI PART #	26883	27044	Call Us
TSUBAKI TITAN XL™ PART #	27043	27045	Call Us

# 857 CHAIN

Average Ultimate Strength: 174,000 lbs

Max Working Load: 14,000 lbs

Pitches Per Foot: 2.00

Upgrades Available:



**TITAN™**  
XL



**SJ2™**  
Sealed Technology

857 CHAIN - PLAIN		Weight (lbs/ft): <b>21.25</b>
PLAIN CHAIN		
PIN TYPE	Cottered	
TSUBAKI PART #	27026	
TSUBAKI TITAN XL™ PART #	27027	

857 CHAIN - K44 ATTACHMENTS				Weight 2L (lbs/ft): <b>31.00</b>
ATTACHMENT SPACING				
	2L	3L	OTHER	
PIN TYPE	Cottered		Cottered	
TSUBAKI PART #	26880    27029		Call Us	
TSUBAKI TITAN XL™ PART #	27028    27030		Call Us	

**Note:**  
An offset pitch will be utilized on all odd attachment spacings.

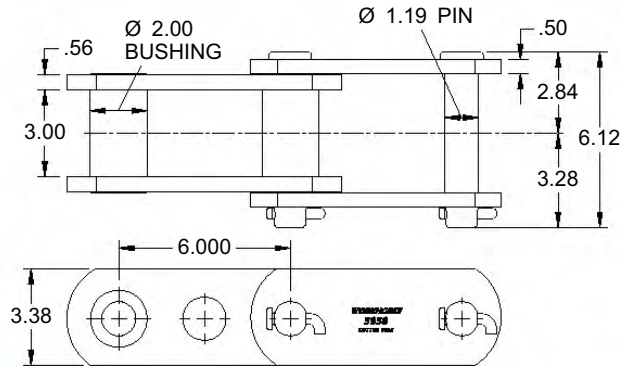
Average Ultimate Strength: 206,000 lbs  
Max Working Load: 17,000 lbs  
Pitches Per Foot: 2.00

Upgrades Available:



## 958 CHAIN - PLAIN

Weight (lbs/ft): **23.25**



### PLAIN CHAIN

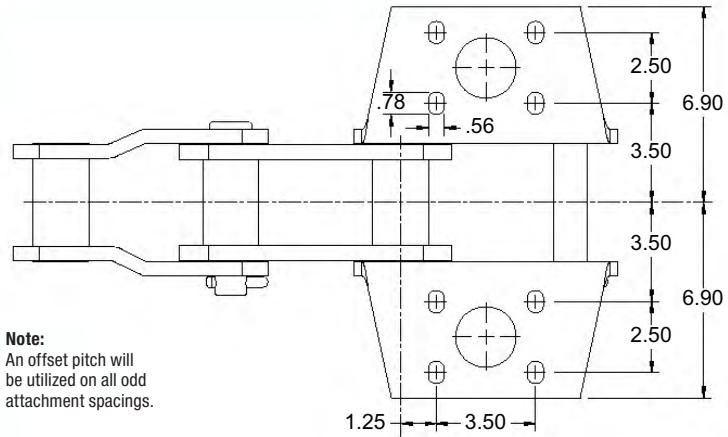
PIN TYPE **Cottered**

**TSUBAKI**  
PART # 27046

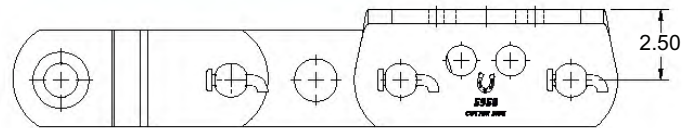
**TSUBAKI**  
**TITAN XL™**  
PART # 27047

## 958 CHAIN - K44 ATTACHMENTS

Weight 2L (lbs/ft): **32.00**



**Note:**  
An offset pitch will be utilized on all odd attachment spacings.



ATTACHMENT SPACING	2L	3L	OTHER
PIN TYPE	Cottered	Cottered	Cottered
<b>TSUBAKI</b> PART #	26884	27048	Call Us
<b>TSUBAKI</b> <b>TITAN XL™</b> PART #	26885	27049	Call Us

# 859 CHAIN

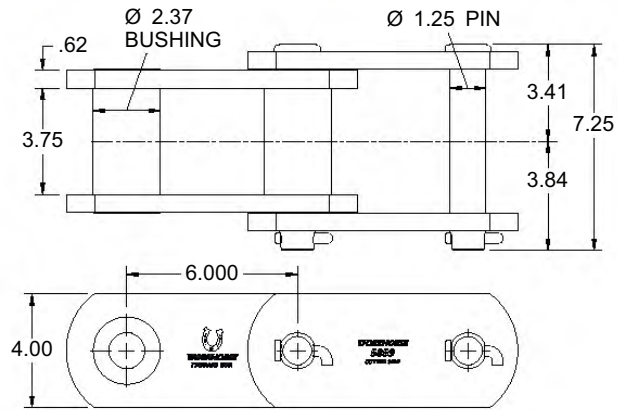
Average Ultimate Strength: 264,000 lbs  
Max Working Load: 21,800 lbs  
Pitches Per Foot: 2.00

Upgrades Available:



## 859 CHAIN - PLAIN

Weight (lbs/ft): **36.50**

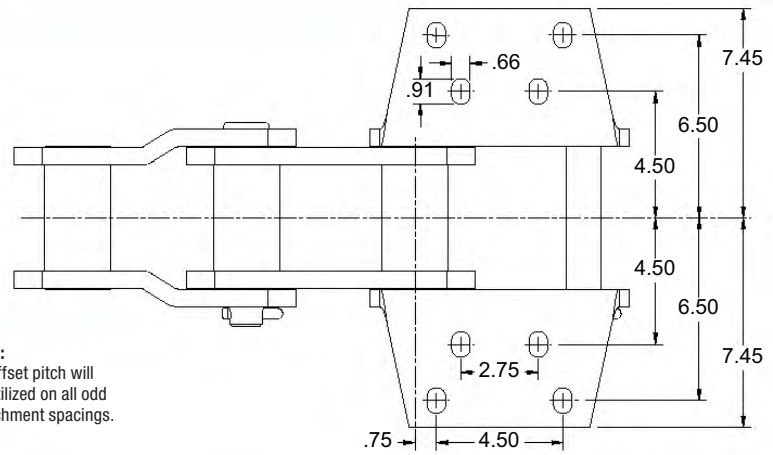


### PLAIN CHAIN

PIN TYPE	Cottered
TSUBAKI PART #	27031
TSUBAKI TITAN XL™ PART #	27032

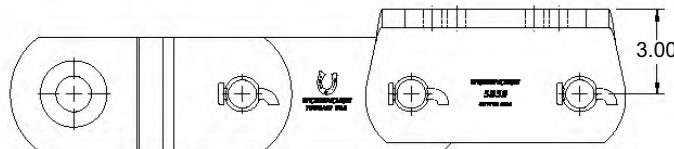
## 859 CHAIN - K44 ATTACHMENTS

Weight 2L (lbs/ft): **48.00**



**Note:**  
An offset pitch will be utilized on all odd attachment spacings.

ATTACHMENT SPACING	2L	3L	OTHER
PIN TYPE	Cottered	Cottered	Cottered
TSUBAKI PART #	26881	27034	Call Us
TSUBAKI TITAN XL™ PART #	27033	27035	Call Us



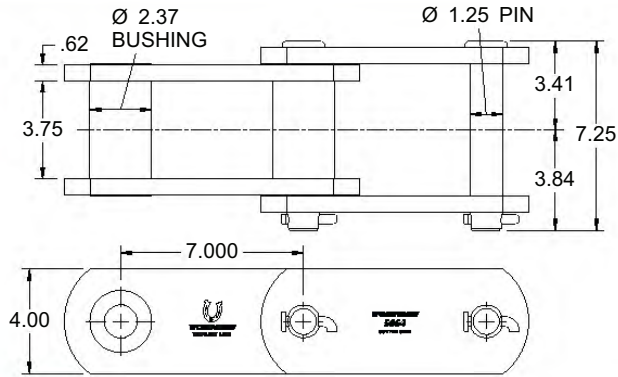
Average Ultimate Strength: 275,000 lbs  
Max Working Load: 22,000 lbs  
Pitches Per Foot: 1.71

Upgrades Available:



## 864 CHAIN - PLAIN

Weight (lbs/ft): **33.50**

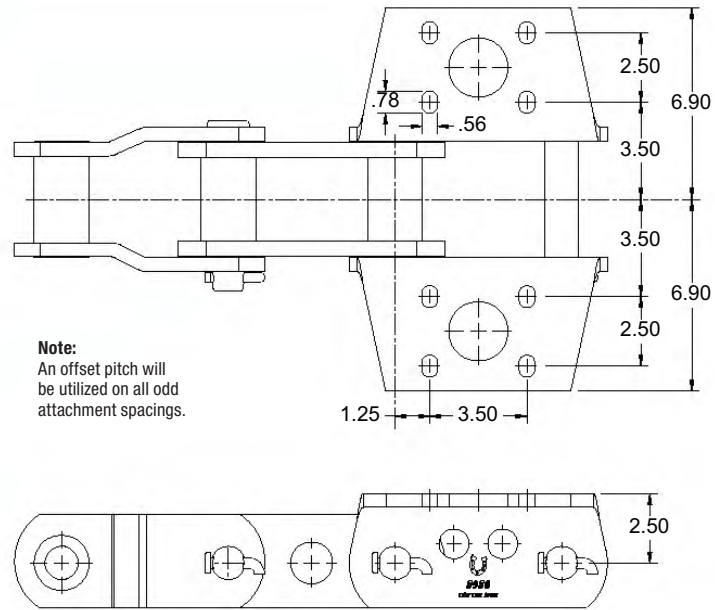


### PLAIN CHAIN

PIN TYPE	Cottered
TSUBAKI PART #	27036
TSUBAKI TITAN XL™ PART #	27037

## 864 CHAIN - K443 ATTACHMENTS

Weight 2L (lbs/ft): **48.00**



ATTACHMENT SPACING	2L	3L	OTHER
PIN TYPE	Cottered	Cottered	Cottered
TSUBAKI PART #	26882	27039	Call Us
TSUBAKI TITAN XL™ PART #	27038	27040	Call Us

# 984 CHAIN

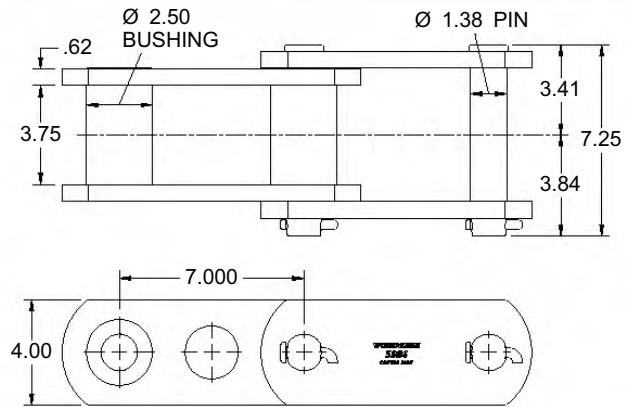
Average Ultimate Strength: 285,000 lbs  
Max Working Load: 20,000 lbs  
Pitches Per Foot: 1.71

Upgrades Available:



## 984 CHAIN - PLAIN

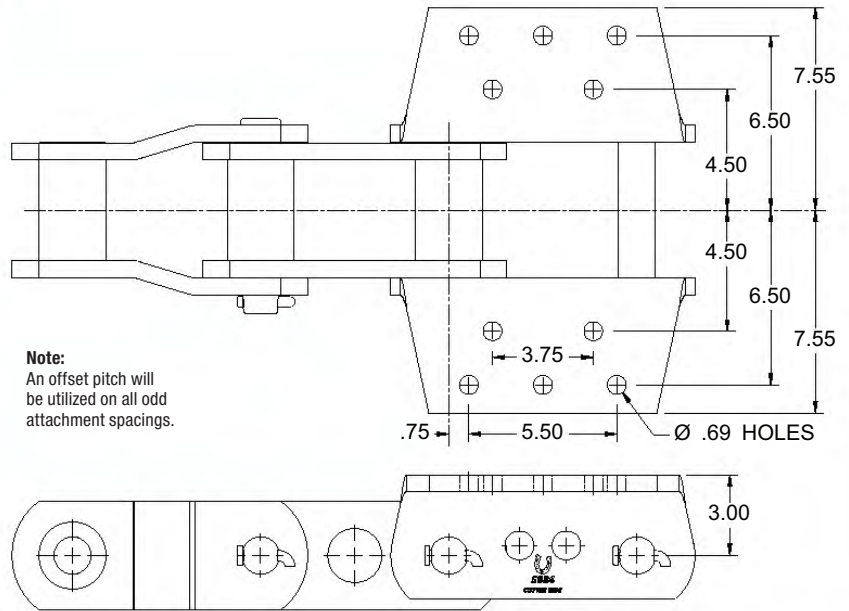
Weight (lbs/ft): **33.50**



PLAIN CHAIN	
PIN TYPE	Cottered
TSUBAKI PART #	27050
TSUBAKI TITAN XL™ PART #	27051

## 984 CHAIN - K443 ATTACHMENTS

Weight 2L (lbs/ft): **44.80**



**Note:**  
An offset pitch will be utilized on all odd attachment spacings.

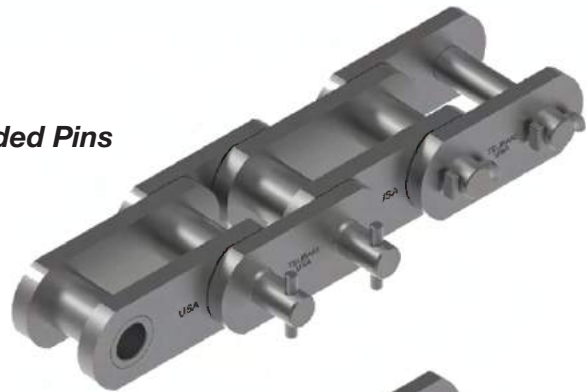
ATTACHMENT SPACING	2L	3L	OTHER
PIN TYPE	Cottered	Cottered	Cottered
TSUBAKI PART #	26887	27053	Call Us
TSUBAKI TITAN XL™ PART #	27052	27054	Call Us



# Feeder Breaker Chains

Leveraging over a century of mining/aggregate conveying experience, Tsubaki is proud to offer a market leading portfolio of premium heavy duty feeder/breaker chains. These offerings are each uniquely designed to achieve ultimate durability, predictability and reliability in the most demanding feeder applications.

*Extended Pins*



*Standard Forged Lug*



*Inverted Forged Lug*



## TYPICAL APPLICATIONS

- Underground Feeder/Breakers
- Above Ground Feeders/Breaker
- Dozer Trap Style Feeders
- Submerged Flight Systems

## COMMON INDUSTRIES



INDUSTRIAL  
MINERALS



MINING



CEMENT



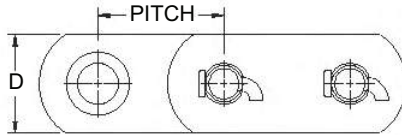
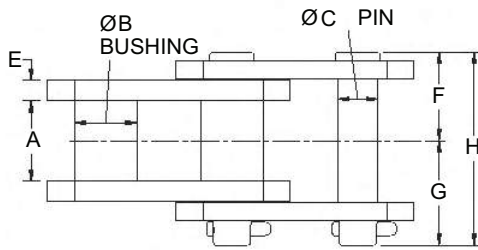
FERTILIZER



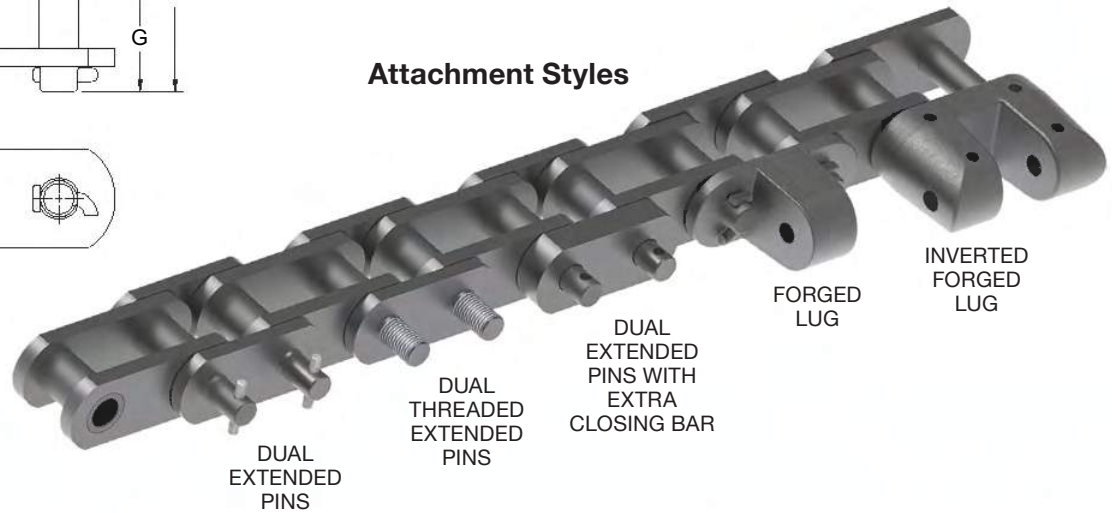
OIL & GAS



POWER  
GENERATOR



### Attachment Styles



Chain Number	Pitch	Attachment Detail	Dimensions								AUS (lbs.)	Max Working Load (lbs.)
			Inside Width	Bushing Diameter	Pin Diameter	Sidebar Height	Sidebar Thick	Pin Head to CL	Pin End to CL	Overall Width		
			A	B	C	D	E	F	G	H		
FB3067	3.067	See page 171	1.56	1.50	0.75	2.25	0.38	1.72	2.13	3.84	141,000	7,600
FB3075	3.075	See page 172	1.31	1.25	0.68	1.50	0.38	1.63	1.88	3.50	69,000	4,900
FB3035	3.000/3.500	See page 173	1.88	1.50	0.99	2.50	.56/.50	2.28	2.72	5.00	160,000	10,400
FB3040	3.000/4.000	See page 174	1.88	1.50	0.99	2.50	.56/.50	2.28	2.72	5.00	160,000	10,400
FB3500	3.500	See page 175	2.25	1.75	1.13	2.75	.56/.50	2.47	2.91	5.38	164,000	13,300
FB3750	3.750	See page 176	2.25	1.75	1.19	2.75	0.56	2.53	2.84	5.37	160,000	14,000
FB4000	4.000	See page 177	1.94	1.75	0.94	2.38	0.56	2.45	2.75	5.20	140,000	10,000
FB4500	4.500	See page 178	2.75	2.38	1.37	3.50	0.63	2.91	3.34	6.25	283,500	19,200
FB5500	5.500	See page 179	2.75	2.50	1.46	4.00	.75	3.19	3.63	6.81	315,000	21,700
FB6000	6.000	See page 180	3.63	2.75	1.75	4.50	.88/.75	3.84	4.17	8.02	480,000	33,000

### PINS

- Premium grade alloy steel.
- Heat treated for superior strength and toughness.
  - Core – Through hardened for superior impact resistance.
  - Surface – Induction hardened for extended wear resistance.
- Precision manufactured to maintain high interference fit with sidebars.
- Prevents pin rotation and subsequent sidebar wear.

### SIDEBARS

- Alloy or premium grade carbon steel.
- Through hardened for superior strength, toughness and fatigue resistance.
- Induction hardened sidebar edges are also available for extended wear resistance.
- Proprietary manufacturing processes ensure consistent hole quality and precise pitch control.
- High quality hole finish increases fatigue resistance.

### BUSHINGS

- Premium alloy steel.
- Heat treated for superior strength.
  - Core – Through hardened for toughness/impact resistance.
  - Surface – Case hardened for ultimate/extended wear resistance.
- Precision manufactured to maintain high interference fit with sidebars.
- Favorable residual stresses resist fatigue and allow for extended life.

# FEEDER BREAKER SERIES FB3067 CHAIN

3.067" PITCH

Average Ultimate Strength: 141,000 lbs  
 Max Working Load: 7,600 lbs  
 Pitches Per Foot: 3.91

Upgrades Available:



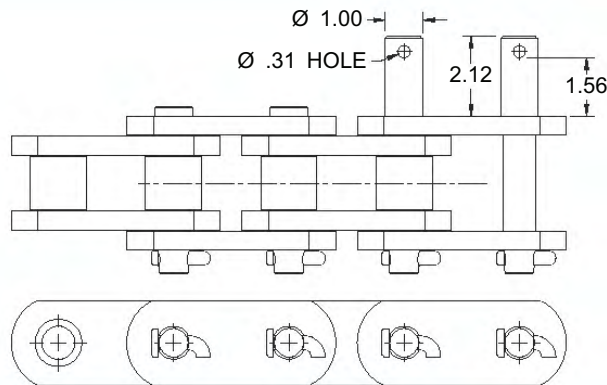
TITAN<sup>TM</sup>  
XL



SJ2<sup>TM</sup>  
Sealed Technology

## FB3067 CHAIN - DUAL EXTENDED PINS

Weight 2L (lbs/ft): 17.23



ATTACHMENT SPACING	2L	4L	6L	OTHER
PIN TYPE	Cottered	Cottered	Cottered	Cottered
TSUBAKI <sup>®</sup> PART #	27104	27106	29383	Call Us
TSUBAKI <sup>®</sup> TITAN XL <sup>TM</sup> PART #	27105	27107	27108	Call Us

Custom Flights  
and Flight  
Assemblies  
Available



# FEEDER BREAKER SERIES FB3075 CHAIN

3.075" PITCH

Average Ultimate Strength: 69,000 lbs  
Max Working Load: 4,900 lbs  
Pitches Per Foot: 3.90

Upgrades Available:



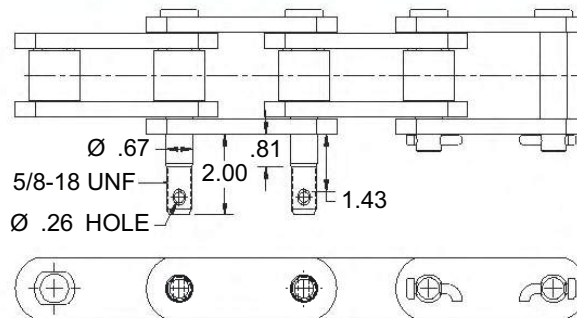
**TITAN™  
XL**



**SJ2™**  
Sealed Technology

## FB3075 CHAIN - DUAL EXTENDED PINS

Weight 2L (lbs/ft): **5.63**



ATTACHMENT SPACING	2L	4L	6L	OTHER
PIN TYPE	Cottered	Cottered	Cottered	Cottered
TSUBAKI® PART #	27109	25656	19501	Call Us
TSUBAKI® TITAN XL™ PART #	27110	27111	27112	Call Us

**Custom Flights  
and Flight  
Assemblies  
Available**



Don't see what you need? Call us at 1-800-323-7790 and we will make it!

FEEDER BREAKER SERIES  
**FB3035 CHAIN**

3.000 / 3.500" PITCH

Average Ultimate Strength: 160,000 lbs  
 Max Working Load: 10,400 lbs  
 Pitches Per Foot: 3.69

Upgrades Available:



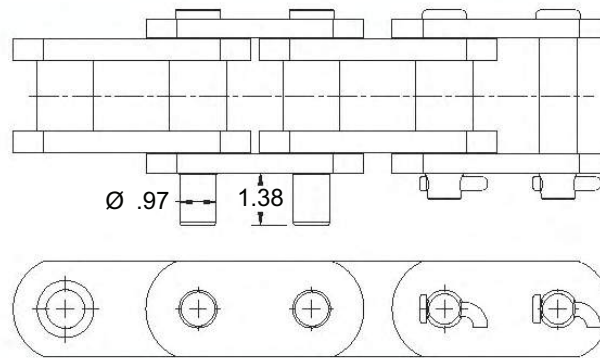
**TITAN<sup>TM</sup>**  
**XL**



**SJ3<sup>TM</sup>**  
 Sealed Technology

**FB3035 CHAIN - DUAL EXTENDED PINS**

Weight 2L (lbs/ft): **19.98**



ATTACHMENT SPACING	2L	4L	6L	OTHER
PIN TYPE	Cottered	Cottered	Cottered	Cottered
TSUBAKI <sup>®</sup> PART #	27113	27115	29384	Call Us
TSUBAKI <sup>®</sup> TITAN XL <sup>TM</sup> PART #	27114	27116	27117	Call Us

**Custom Flights  
 and Flight  
 Assemblies  
 Available**



FB3075 / FB3035 FEEDER CHAINS

FEEDER BREAKER SERIES  
**FB3040 CHAIN**

3.000 X 4.000" PITCH

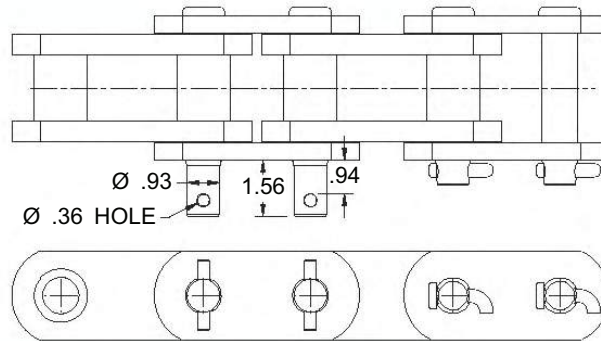
Average Ultimate Strength: 160,000 lbs  
 Max Working Load: 10,400 lbs  
 Pitches Per Foot: 3.43

Upgrades Available:



**FB3040 CHAIN - DUAL EXTENDED PINS**

Weight 2L (lbs/ft): **19.30**



ATTACHMENT SPACING	2L	4L	6L	OTHER
PIN TYPE	Cottered	Cottered	Cottered	Cottered
TSUBAKI® PART #	27118	27120	24023	Call Us
TSUBAKI® TITAN XL™ PART #	27119	27121	27122	Call Us

**Custom Flights  
 and Flight  
 Assemblies  
 Available**



Don't see what you need? Call us at 1-800-323-7790 and we will make it!

# FEEDER BREAKER SERIES FB3500 CHAIN

3.500" PITCH

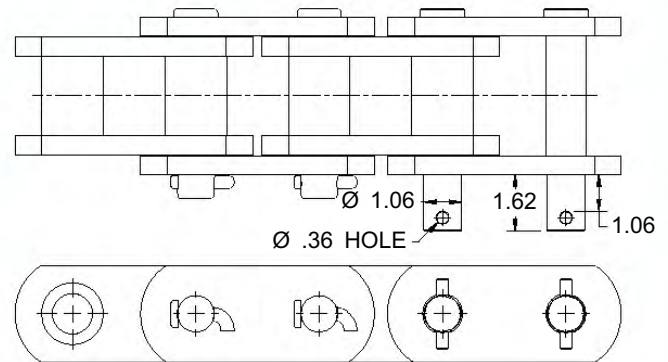
Average Ultimate Strength: 164,000 lbs  
Max Working Load: 13,300 lbs  
Pitches Per Foot: 3.43

Upgrades Available:



## FB3500 CHAIN - DUAL EXTENDED PINS

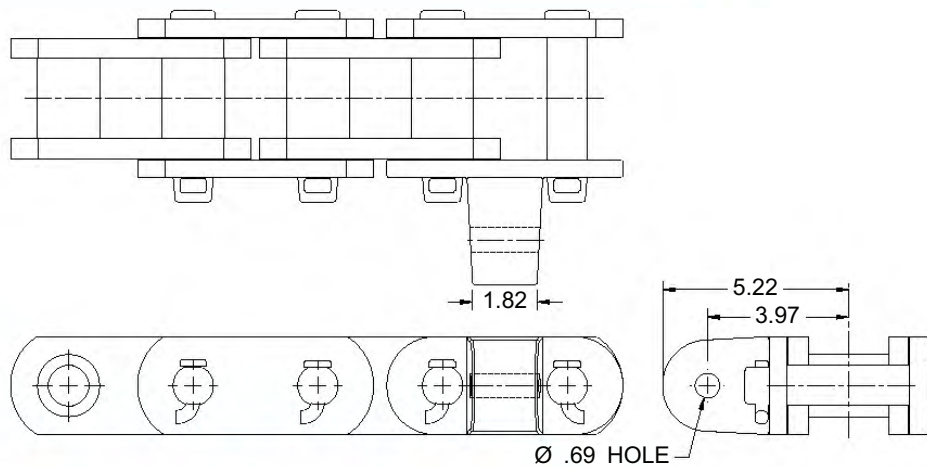
Weight (lbs/ft): **24.20**



ATTACHMENT SPACING	2L	4L	6L	OTHER
PIN TYPE	Cottered	Cottered	Cottered	Cottered
TSUBAKI® PART #	27123	24534	24504	Call Us
TSUBAKI® TITAN XL™ PART #	27124	27125	27126	Call Us

## FB3500 CHAIN - FORGED LUG

Weight 2L(lbs/ft): **26.09**



ATTACHMENT SPACING	2L	4L	6L	OTHER
PIN TYPE	Cottered	Cottered	Cottered	Cottered
TSUBAKI® PART #	27127	27129	24530	Call Us
TSUBAKI® TITAN XL™ PART #	27128	27130	27131	Call Us

FB3040 / FB3500 FEEDER CHAINS

FEEDER BREAKER SERIES  
**FB3750 CHAIN**

3.750" PITCH

Average Ultimate Strength: 160,000 lbs  
 Max Working Load: 14,000 lbs  
 Pitches Per Foot: 3.20

Upgrades Available:



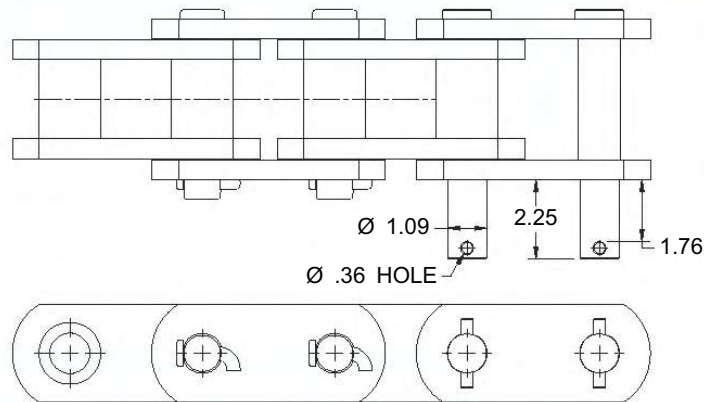
**TITAN™**  
**XL**



**SJ3™**  
 Sealed Technology

**FB3750 CHAIN - DUAL EXTENDED PINS**

Weight 2L (lbs/ft): **24.43**



ATTACHMENT SPACING	2L	4L	6L	OTHER
PIN TYPE	Cottered	Cottered	Cottered	Cottered
TSUBAKI® PART #	27132	27134	27136	Call Us
TSUBAKI® TITAN XL™ PART #	27133	27135	27137	Call Us

**Custom Flights  
 and Flight  
 Assemblies  
 Available**



Don't see what you need? Call us at 1-800-323-7790 and we will make it!



# FEEDER BREAKER SERIES FB4000 CHAIN

4.000" PITCH

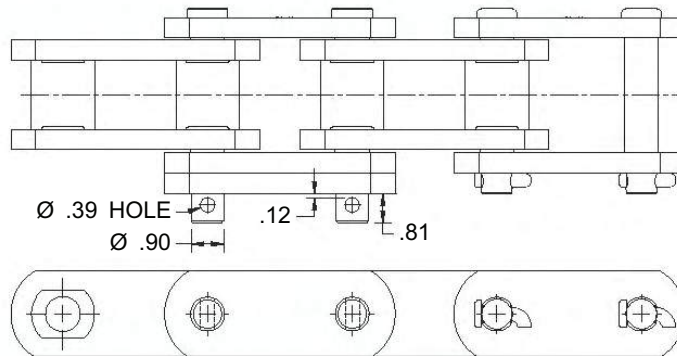
Average Ultimate Strength: 140,000 lbs  
Max Working Load: 10,000 lbs  
Pitches Per Foot: 3.00

Upgrades Available:



## FB4000 CHAIN - DUAL EXTENDED PINS WITH EXTRA SIDEPLATE

Weight 2L (lbs/ft): **20.29**



ATTACHMENT SPACING	2L	4L	6L	OTHER
PIN TYPE	Cottered	Cottered	Cottered	Cottered
TSUBAKI® PART #	27138	21582	27141	Call Us
TSUBAKI® TITAN XL™ PART #	27139	27140	27142	Call Us

Custom Flights  
and Flight  
Assemblies  
Available



# FEEDER BREAKER SERIES FB4500 CHAIN

4.500" PITCH

Average Ultimate Strength: 283,500 lbs  
Max Working Load: 19,200 lbs  
Pitches Per Foot: 2.67

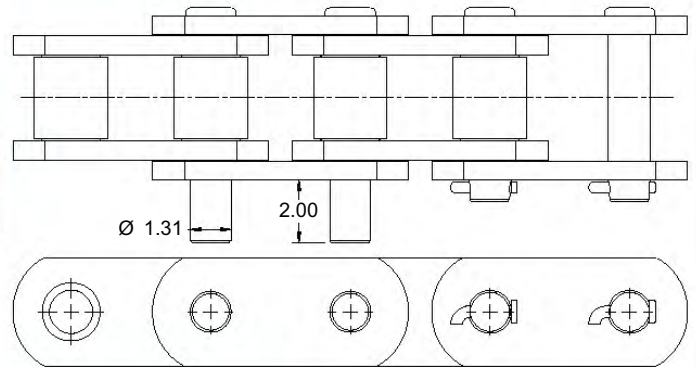
Upgrades Available:



## FB4500 CHAIN - DUAL EXTENDED PINS

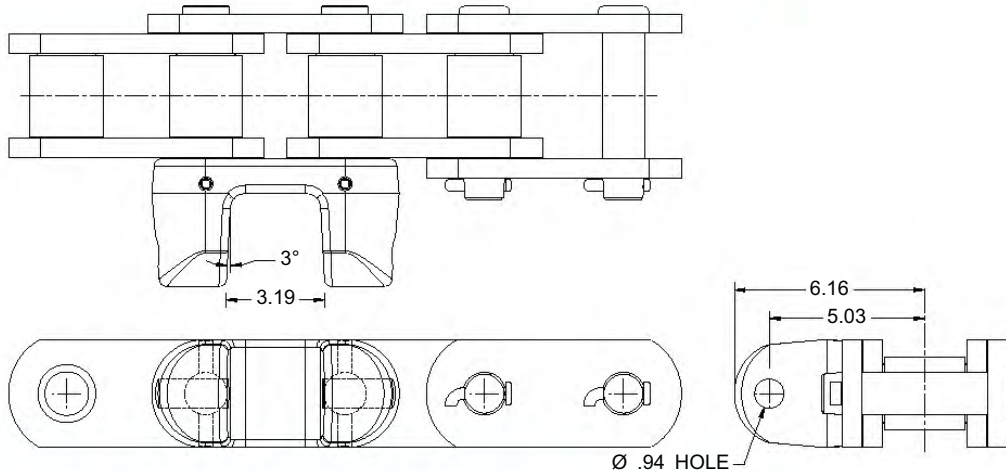
Weight 2L (lbs/ft): **36.07**

ATTACHMENT SPACING	2L	4L	6L	OTHER
PIN TYPE	Cottered	Cottered	Cottered	Cottered
TSUBAKI® PART #	27143	27145	19905	Call Us
TSUBAKI® TITAN XL™ PART #	27144	27146	27147	Call Us



## FB4500 CHAIN - INVERTED FORGED LUG

Weight (lbs/ft): **43.18**



ATTACHMENT SPACING	2L	4L	6L	OTHER
PIN TYPE	Cottered	Cottered	Cottered	Cottered
TSUBAKI® PART #	27148	27150	27152	Call Us
TSUBAKI® TITAN XL™ PART #	27149	27151	27153	Call Us

# FEEDER BREAKER SERIES FB5500 CHAIN

5.500" PITCH

Average Ultimate Strength: 315,000 lbs  
Max Working Load: 21,700 lbs  
Pitches Per Foot: 2.18

Upgrades Available:



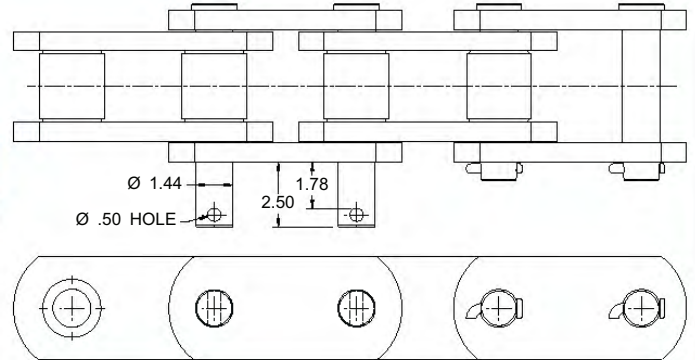
TITAN<sup>™</sup>  
XL



SJ3<sup>™</sup>  
Sealed Technology

## FB5500 CHAIN - DUAL EXTENDED PINS

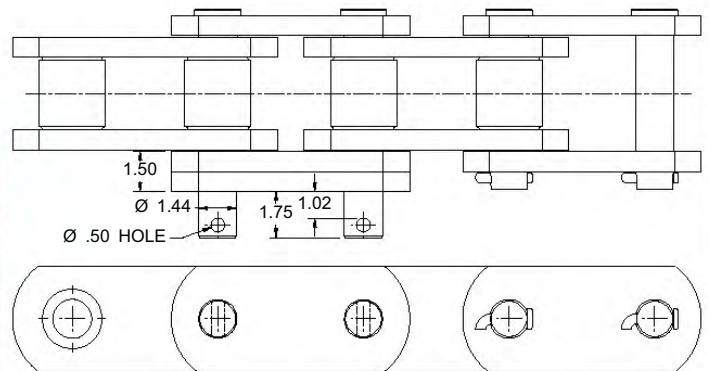
Weight 2L (lbs/ft): **43.20**



ATTACHMENT SPACING	2L	4L	6L	OTHER
PIN TYPE	Cottered	Cottered	Cottered	Cottered
TSUBAKI <sup>®</sup> PART #	27154	27156	27158	Call Us
TSUBAKI <sup>®</sup> TITAN XL <sup>™</sup> PART #	27155	27157	27159	Call Us

## FB5500 CHAIN - DUAL EXTENDED PINS WITH EXTRA SIDEPLATE

Weight 2L (lbs/ft): **46.74**



ATTACHMENT SPACING	2L	4L	6L	OTHER
PIN TYPE	Cottered	Cottered	Cottered	Cottered
TSUBAKI <sup>®</sup> PART #	27160	27161	27163	Call Us
TSUBAKI <sup>®</sup> TITAN XL <sup>™</sup> PART #	25876	27162	27164	Call Us

# FEEDER BREAKER SERIES FB6000 CHAIN

6.000" PITCH

Average Ultimate Strength: 480,000 lbs  
Max Working Load: 33,000 lbs  
Pitches Per Foot: 2.00

Upgrades Available:



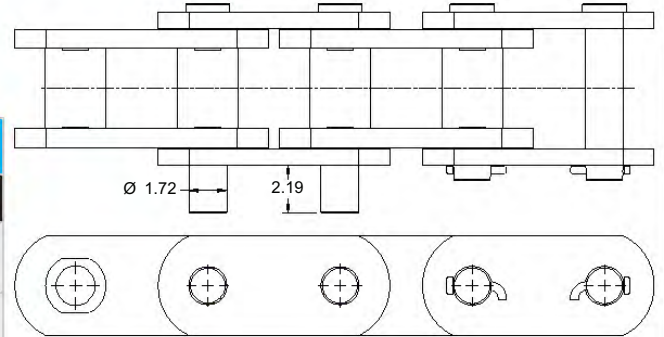
TITAN™ XL



SJ3™  
Sealed Technology

## FB6000 CHAIN - DUAL EXTENDED PINS

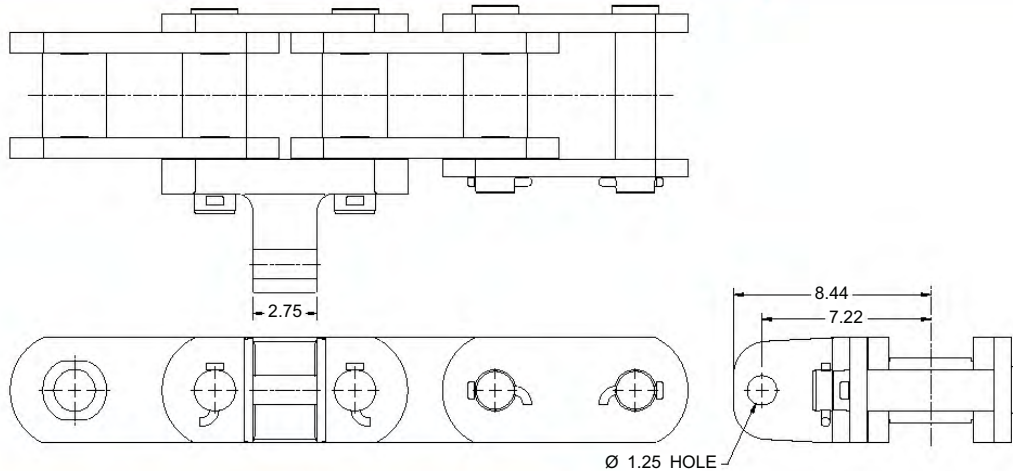
Weight 2L (lbs/ft): **59.01**



ATTACHMENT SPACING	2L	4L	6L	OTHER
PIN TYPE	Cottered	Cottered	Cottered	Cottered
TSUBAKI® PART #	27165	27167	27169	Call Us
TSUBAKI® TITAN XL™ PART #	27166	27168	27170	Call Us

## FB6000 CHAIN - FORGED LUG

Weight 2L (lbs/ft): **68.59**



ATTACHMENT SPACING	2L	4L	6L	OTHER
PIN TYPE	Cottered	Cottered	Cottered	Cottered
TSUBAKI® PART #	27171	27173	27175	Call Us
TSUBAKI® TITAN XL™ PART #	27172	27174	27176	Call Us

Don't see what you need? Call us at 1-800-323-7790 and we will make it!

# Forged Mining Chains

**SHUTTLE HAWK™**



## TYPICAL APPLICATIONS

- Shuttle Cars
- Ladder Style Conveyors

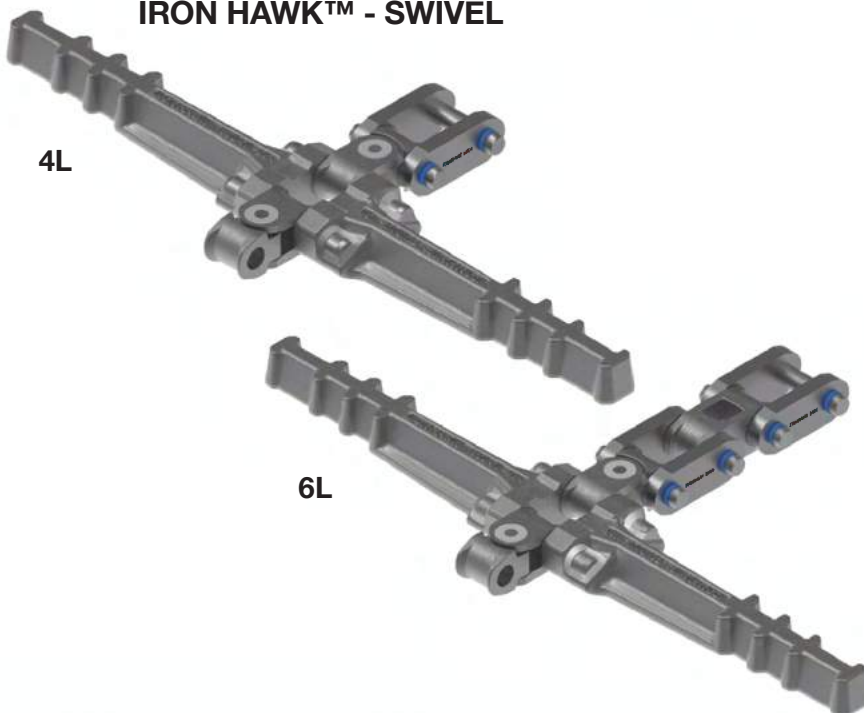
**IRON HAWK™ - STRAIGHT**



## TYPICAL APPLICATIONS

- Shuttle Cars
- Straight Bed Miners
- Feeder Breakers
- Heavy Duty Drag Conveyors

**IRON HAWK™ - SWIVEL**



## TYPICAL APPLICATIONS

- Continuous Miners
- Feeder Breakers
- Heavy Duty Drag Conveyors

## COMMON INDUSTRIES



**INDUSTRIAL  
MINERALS**



**FERTILIZER**



**MINING**

FORGED MINING CHAINS  
**SHUTTLE HAWK™**

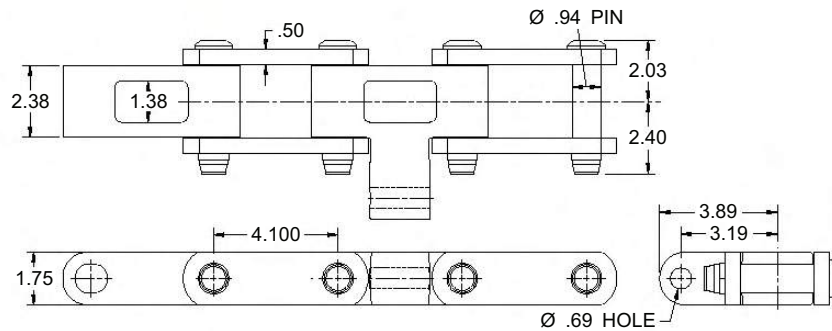
**4.100" PITCH**  
 IRON HAWK™ SERIES

Average Ultimate Strength: 100,000 lbs  
 Max Working Load: 7,800 lbs  
 Pitches Per Foot: 2.93  
 Stock Strand Length (Pitches): 6 and 72



**IRON HAWK™ - SHUTTLE**

Weight 6L (lbs/ft): **13.00**



ATTACHMENT SPACING	6L	
PIN TYPE	Strand Length	Wedding Band Cotter
TSUBAKI® PART #	6	25670-6
TSUBAKI® PART #	72	25670-72

**SHUTTLE HAWK™ CHAIN**

- Engineered, forged and made in the USA.
- Direct replacement for most OEM shuttle cars.
- Premium spring steel wedding band style closures, highly secure, easy to use.
- High press fit, heat treated induction hardened alloy steel pins.
- Market leading toughness, durability and strength.



Don't see what you need? Call us at 1-800-323-7790 and we will make it!

# FORGED MINING CHAINS IRON HAWK™ - STRAIGHT

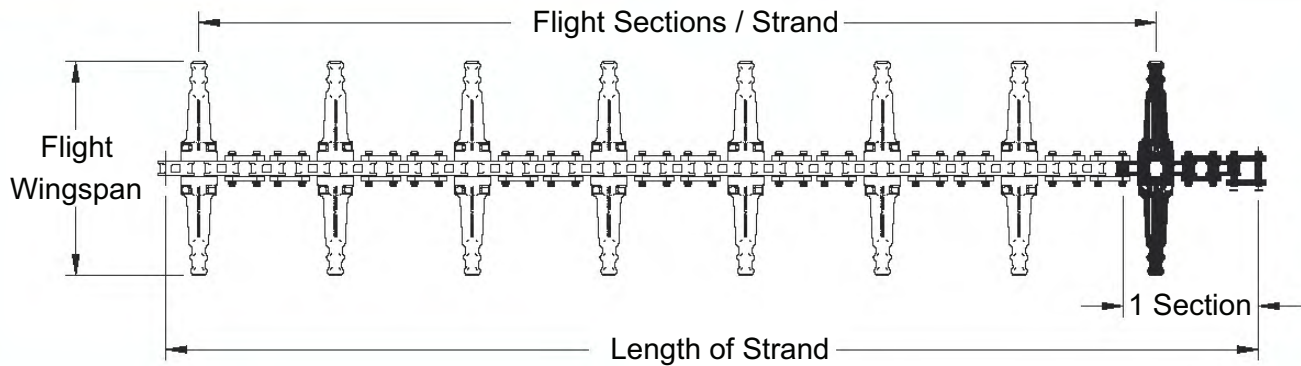
3.000 X 3.500" PITCH  
IRON HAWK™ SERIES

Average Ultimate Strength: 100,000 lbs  
Max Working Load: 7,800 lbs  
Pitches Per Foot: 3.69



## IRON HAWK™ - STRAIGHT

Weight (lbs/section @36.2 wide): **66 lbs.**



### WING SPACING EVERY 6L

PART #	FLIGHT WINGSPAN	PITCHES/ STRAND	FLIGHT SECTIONS/ STRAND	LENGTH OF STRAND
IH225-6	22.5"	6	1	1'7.5"
IH225-48	22.5"	48	8	13'
IH265-6	26.5"	6	1	1'7.5"
IH265-48	26.5"	48	8	13'
IH305-6	30.5"	6	1	1'7.5"
IH305-48	30.5"	48	8	13'



### IRON HAWK™ - STRAIGHT SPARE PARTS

PART #	DESCRIPTION	FLIGHT WINGSPAN	KIT CONTENTS
IH225-WING	IRON HAWK STRAIGHT WELDMENT	22.5"	3 Pitch Wing Weldment Section - Standard Block Link, Wing, Standard Block Link
IH265-WING	IRON HAWK STRAIGHT WELDMENT	26.5"	3 Pitch Wing Weldment Section - Standard Block Link, Wing, Standard Block Link
IH305-WING	IRON HAWK STRAIGHT WELDMENT	30.5"	3 Pitch Wing Weldment Section - Standard Block Link, Wing, Standard Block Link
IH-CONN	IRON HAWK STRAIGHT OR SWIVEL	Fits All	Complete Connecting Link - 2 Plates, 2 Pins, 2 Snap Rings
IH-RING	IRON HAWK STRAIGHT OR SWIVEL	Fits All	Snap Rings Clips
IH-BLOCK	IRON HAWK STRAIGHT OR SWIVEL	Fits All	American forged block links

### IRON HAWK™ - STRAIGHT

- Direct drop in replacement for most OEM Shuttle Cars and Straight Conveyor applications.
- Forged of premium domestic alloy steel.
- Designed, engineered and made in the U.S.A.
- Heat treated to demanding proprietary standards for ultimate durability and performance.
- Premium spring steel wedding band style closures; highly secure and easy to use.
- Standard wingspans of 22.5", 26.5", and 30.5". Custom lengths also available.
- Custom flights and flight assemblies available.

# FORGED MINING CHAINS IRON HAWK™ - SWIVEL

3.000 X 3.500" PITCH  
IRON HAWK™ SERIES

Average Ultimate Strength: 100,000 lbs

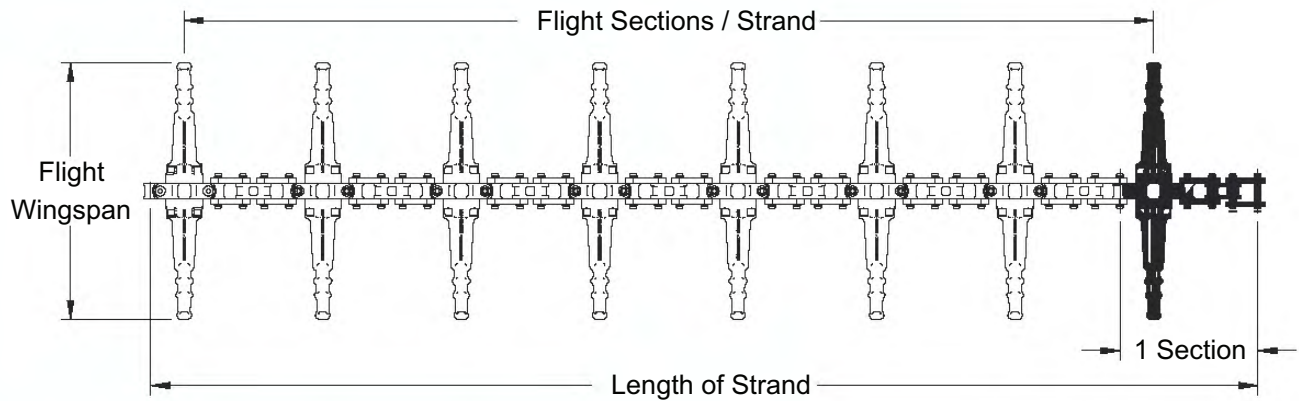
Max Working Load: 7,800 lbs

Pitches Per Foot: 3.69



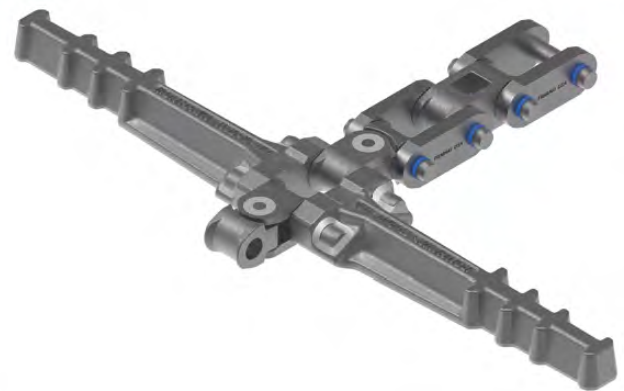
## IRON HAWK™ - SWIVEL

Weight (lbs/section @36.2 wide): **66 lbs.**



### WING SPACING EVERY 6L

PART #	FLIGHT WINGSPAN	PITCHES/ STRAND	FLIGHT SECTIONS/ STRAND	LENGTH OF STRAND
IHSWIVEL22.5W6L-06	22.5"	6	1	1'7.5"
IHSWIVEL22.5W6L-48	22.5"	48	8	13'
IHSWIVEL26.5W6L-06	26.5"	6	1	1'7.5"
IHSWIVEL26.5W6L-48	26.5"	48	8	13'
IHSWIVEL30.5W6L-06	30.5"	6	1	1'7.5"
IHSWIVEL30.5W6L-48	30.5"	48	8	13'
IHSWIVEL36.2W6L-06	36.2"	6	1	1'7.5"
IHSWIVEL36.2W6L-48	36.2"	48	8	13'



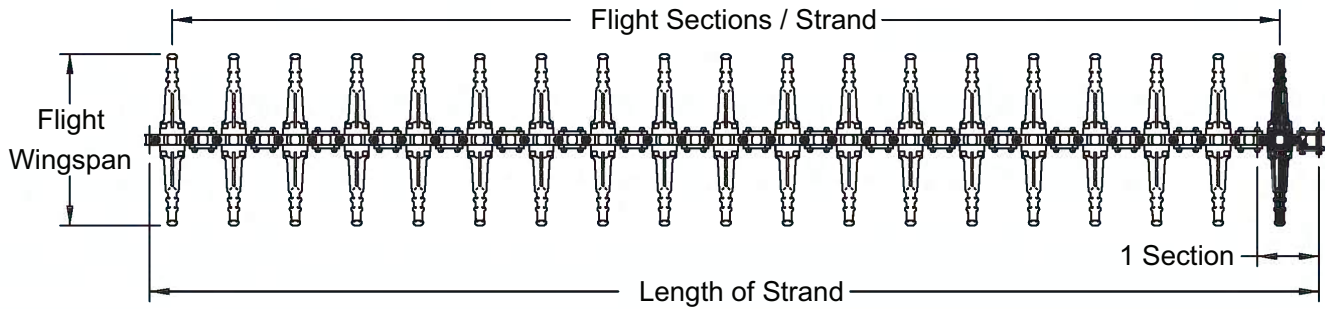
## IRON HAWK™ - SWIVEL

- Universal direct drop in replacement for most OEM Continuous Miners and Shuttle Cars.
- Forged of premium domestic alloy steel.
- Design, engineered and made in the U.S.A.
- Heat treated to demanding proprietary standards for ultimate durability and performance.
- Dynamic swivel link allows for 35 degrees of rotational flexibility.
- Innovative flight design for enhanced and efficient material transfer.
- Premium spring steel wedding band style closures; highly secure and easy to use.
- Standard wingspans of 22.5", 26.5", 30.5" and 36.2". Custom lengths also available.



# FORGED MINING CHAINS IRON HAWK™ - SWIVEL

3.000 X 3.500" PITCH  
IRON HAWK™ SERIES



## IRON HAWK™ - SWIVEL

Weight (lbs/section @36.2 wide): **57 lbs.**

### WING SPACING EVERY 4L

PART #	FLIGHT WINGSPAN	PITCHES/ STRAND	FLIGHT SECTIONS/ STRAND	LENGTH OF STRAND	PART #	FLIGHT WINGSPAN	PITCHES/ STRAND	FLIGHT SECTIONS/ STRAND	LENGTH OF STRAND
IHSWIVEL22.5W4L-04	22.5"	4	1	1'1"	IHSWIVEL30.5W4L-04	30.5"	4	1	1'1"
IHSWIVEL22.5W4L-48	22.5"	48	12	13'	IHSWIVEL30.5W4L-48	30.5"	48	12	13'
IHSWIVEL22.5W4L-52	22.5"	52	13	14'1"	IHSWIVEL30.5W4L-52	30.5"	52	13	14'1"
IHSWIVEL22.5W4L-56	22.5"	56	14	15'2"	IHSWIVEL30.5W4L-56	30.5"	56	14	15'2"
IHSWIVEL22.5W4L-60	22.5"	60	15	16'3"	IHSWIVEL30.5W4L-60	30.5"	60	15	16'3"
IHSWIVEL22.5W4L-76	22.5"	76	19	20'7"	IHSWIVEL30.5W4L-76	30.5"	76	19	20'7"
IHSWIVEL26.5W4L-04	26.5"	4	1	1'1"	IHSWIVEL36.2W4L-04	36.2"	4	1	1'1"
IHSWIVEL26.5W4L-48	26.5"	48	12	13'	IHSWIVEL36.2W4L-48	36.2"	48	12	13'
IHSWIVEL26.5W4L-52	26.5"	52	13	14'1"	IHSWIVEL36.2W4L-52	36.2"	52	13	14'1"
IHSWIVEL26.5W4L-56	26.5"	56	14	15'2"	IHSWIVEL36.2W4L-56	36.2"	56	14	15'2"
IHSWIVEL26.5W4L-60	26.5"	60	15	16'3"	IHSWIVEL36.2W4L-60	36.2"	60	15	16'3"
IHSWIVEL26.5W4L-76	26.5"	76	19	20'7"	IHSWIVEL36.2W4L-76	36.2"	76	19	20'7"
IHSWIVEL28.0W4L-04	28.0"	4	1	1'1"					
IHSWIVEL28.0W4L-48	28.0"	48	12	13'					
IHSWIVEL28.0W4L-52	28.0"	52	13	14'1"					
IHSWIVEL28.0W4L-56	28.0"	56	14	15'2"					
IHSWIVEL28.0W4L-60	28.0"	60	15	16'3"					
IHSWIVEL28.0W4L-76	28.0"	76	19	20'7"					



**IRON HAWK™**

## IRON HAWK™ - SWIVEL SPARE PARTS

PART #	DESCRIPTION	FLIGHT WINGSPAN	KIT CONTENTS
IHSWIVEL22.5-WING	IRON HAWK SWIVEL WELDMENT	22.5"	3 Pitch Wing Weldment Section - Swivel Block Link, Wing, Swivel Block Link
IHSWIVEL26.5-WING	IRON HAWK SWIVEL WELDMENT	26.5"	3 Pitch Wing Weldment Section - Swivel Block Link, Wing, Swivel Block Link
IHSWIVEL28.0-WING	IRON HAWK SWIVEL WELDMENT	28.0"	3 Pitch Wing Weldment Section - Swivel Block Link, Wing, Swivel Block Link
IHSWIVEL30.5-WING	IRON HAWK SWIVEL WELDMENT	30.5"	3 Pitch Wing Weldment Section - Swivel Block Link, Wing, Swivel Block Link
IHSWIVEL36.2-WING	IRON HAWK SWIVEL WELDMENT	36.2"	3 Pitch Wing Weldment Section - Swivel Block Link, Wing, Swivel Block Link
IH-CONN	IRON HAWK STRAIGHT OR SWIVEL	Fits All	Complete Connecting Link - 2 Plates, 2 Pins, 2 Snap Rings
IH-RING	IRON HAWK STRAIGHT OR SWIVEL	Fits All	Snap Ring Clips



**TSUBAKI**

07.2019

# In Floor Double Flex Chains

## DF (DOUBLE FLEX) SERIES

- Designed to freely articulate both horizontally and vertically.
- Induction hardened sliding surfaces available for extended wear life.
- Compact, economical designs offer generous sliding areas to decrease shear stress on chain.
- Carbon, riveted construction is standard for all designs.
- Corrosion resistant designs available upon request.

DF-3498



DF-3500 / DF-3910



DF-3560



## TYPICAL APPLICATIONS

- In Floor Material/Product Transfer Conveyors

## COMMON INDUSTRIES



DAIRY



FOREST  
PRODUCTS



FOOD/  
BAKERY



FLORAL

Don't see what you need? Call us at 1-800-323-7790 and we will make it!

# IN FLOOR DOUBLE FLEX CHAIN DF-3498 CHAIN

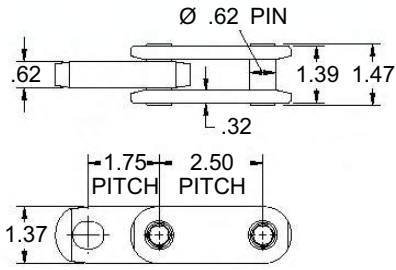
1.750 X 2.500" PITCH

Average Ultimate Strength: 48,000 lbs  
 Max Working Load: 4,000 lbs  
 Pitches Per Foot: 5.65  
 Stock Strand Length (Pitches): 282



## DF-3498 CHAIN - PLAIN

Weight (lbs / ft): 4.40



### PLAIN

PIN TYPE	Riveted
UNION® PART #	P-4555

DF-3498 IN FLOOR DOUBLE FLEX CHAIN

IN FLOOR DOUBLE FLEX CHAIN  
**DF-3500 CHAIN**

2.500 X 3.000" PITCH

Average Ultimate Strength: 48,000 lbs

Max Working Load: 4,000 lbs

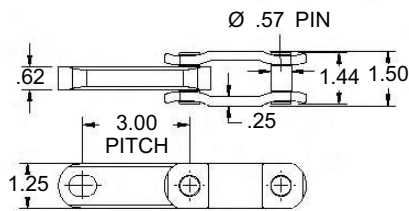
Pitches Per Foot: 4.36

Stock Strand Length (Pitches): 218



DF-3500 CHAIN - PLAIN

Weight (lbs/ft): 3.30



PLAIN	
PIN TYPE	Riveted
UNION® PART #	P-4556

Don't see what you need? Call us at 1-800-323-7790 and we will make it!

IN FLOOR DOUBLE FLEX CHAIN  
**DF-3910 CHAIN**

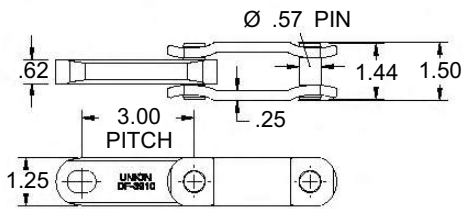
3.000 X 3.000" PITCH

Average Ultimate Strength: 48,000 lbs  
 Max Working Load: 4,000 lbs  
 Pitches Per Foot: 4.00  
 Stock Strand Length (Pitches): 200



DF-3910 CHAIN - PLAIN

Weight (lbs/ft): 3.30



PLAIN	
PIN TYPE	Riveted
UNION® PART #	P-5559

# IN FLOOR DOUBLE FLEX CHAIN DF-3560 CHAIN

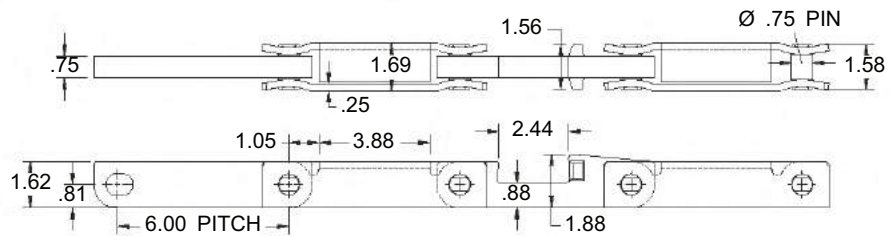
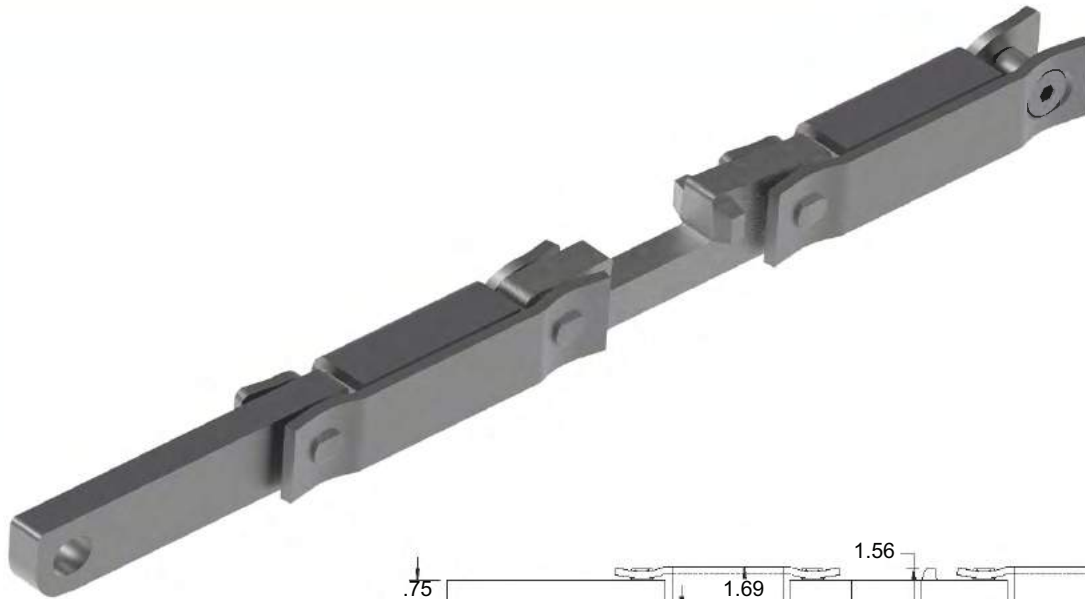
6.000" PITCH

Average Ultimate Strength: 65,000 lbs  
Max Working Load: 5,000 lbs  
Pitches Per Foot: 2.00



## DF-3560 CHAIN - PLAIN

Weight (lbs/ft): 4.50



ATTACHMENT SPACING	E-0-2L PUSHER 16L	E-0-2L PUSHER 18L	OTHER
PIN TYPE	Riveted	Riveted	Riveted
TSUBAKI® PART #	25694	23566	Call Us

Don't see what you need? Call us at 1-800-323-7790 and we will make it!

# Bar and Pin Chains

## BAR AND PIN STYLE CHAINS

- Applicable to a wide array of applications from draw benches to stacker/reclaimers.
- Utilized mainly where operating speeds are relatively slow and loads are significantly high.
- Constructed with the link bars assembled directly on to the chain pin – no bushings or rollers.
- Carbon and/or Alloy materials are typical.
- Corrosion resistant designs available upon request.
- Tsubaki maintains a large Made-To-Order portfolio of Bar and Pin designs. Call for assistance.

## Common Bar and Pin Styles / Configurations

Style 1

Style 2

Style 3



## TYPICAL APPLICATIONS

- Draw Benches
- Stacker/Reclaimers
- Barge/Ship Unloaders

## COMMON INDUSTRIES



FOOD/MEAT  
PROCESSING



FOREST  
PRODUCTS



PRIMARY  
METALS



GENERAL  
MANUFACTURING

# Drop Forged Rivetless Chains



## STANDARD / X-STYLE RIVETLESS CHAINS

- Precise pitch control provides consistency and reliability.
- Smooth forged bearing areas allow for extended wear life.
- Proprietary heat treatment allows for a premium balance of strength, toughness, and durability.
- Easy assembly/disassembly – no tools required.
- Standard and Ultra Wear Life (UWL) versions available.
- UWL design utilizes a proprietary Induction Hardened pin for enhanced wear resistance and extended life.

## BARLOOP / BAR LINK CHAINS

- Composed of a standard forged inside link, fabricated outside plates and heat treated pins.
- Flat sidebar design allows for efficient and secure welded attachments.
- Secure press fit pins minimize the opportunity for aggressive pin/sidebar wear.
- Optional design available with nut/bolt assembly for quick and easy installation and replacement.

## CATERPILLAR STYLE DRIVE CHAINS

- Designed and engineered to effectively engage and efficiently drive Tsubaki drop forged chain designs.
- Constructed with premium Tsubaki roller drive chain and solid one piece forged, induction hardened drive dogs.
- Both Figure 8 and D-Shaped styles available.

## TYPICAL APPLICATIONS

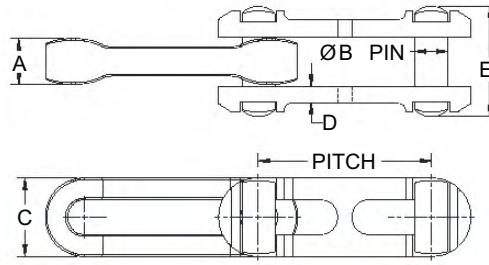
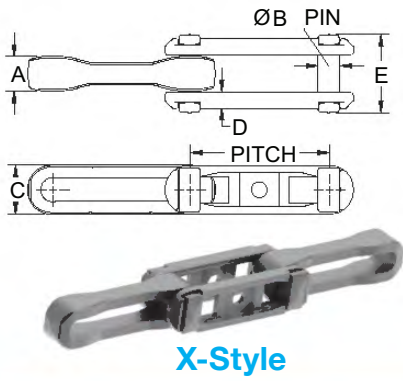
- Overhead Power / Free Conveyors

## COMMON INDUSTRIES



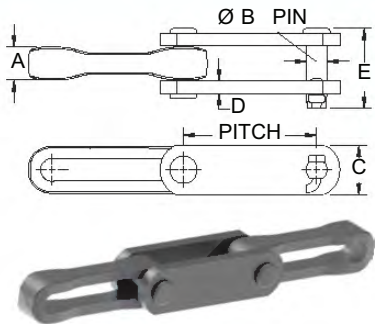
Don't see what you need? Call us at 1-800-323-7790 and we will make it!





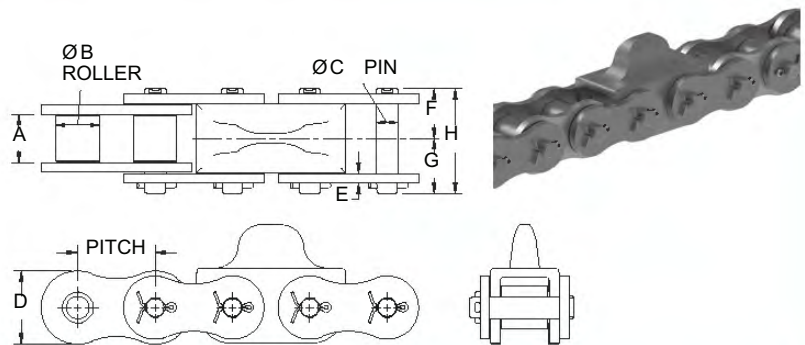
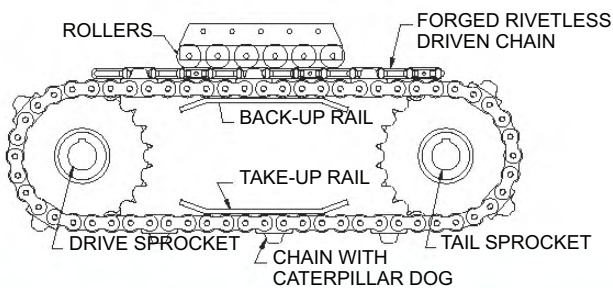
Chain Number	Pitch	Sidebar Style	Attachment Detail	Dimensions					Min. Side Flex Radius	MUTS		WL	
				Inside Width	Pin Diameter	Sidebar Height	Sidebar Thick	Overall Width		Alloy Heat Treated (lbs.)	Heat Treated (lbs.)	Normal (lbs.)	Frequent Flex (lbs.)
				A	B	C	D	E					
X-348	3.015	X Style	Call Us	.74	0.49	1.12	0.40	1.78	10.0	24,000	22,000	2,600	1,200
X-458	4.031	X Style	Call Us	1.00	0.63	1.42	0.48	2.26	24.0	60,000	42,100	4,000	1,900
468	4.031	Standard	Call Us	1.63	0.75	1.88	0.63	3.31	-	70,000	68,000	-	-
X-658	6.031	X Style	Call Us	1.06	0.63	1.41	0.47	2.25	-	48,000	-	-	-
X-678	6.031	X Style	Call Us	1.31	0.87	2.01	0.70	3.03	35.0	100,000	72,000	7,100	3,300
698	6.031	Standard	Call Us	1.55	1.12	2.75	0.58	3.78	-	150,000	136,000	10,800	5,200
998	9.031	Standard	Call Us	1.56	1.12	2.52	0.63	3.88	-	150,000	136,000	10,800	5,200

### Barloop (Bar Link) Chains



Chain Number	Pitch	Attachment Detail	Dimensions					AUS (lbs.)
			Inside Width	Pin Diameter	Sidebar Height	Sidebar Thick	Overall Width	
			A	B	C	D	E	
S-348	3.015	Call Us	.74	0.50	1.11/1.13	0.25	1.87	22,000
S-458	4.031	Call Us	1.00	0.63	1.38/1.50	0.38	2.41	42,000
S-678	6.000	Call Us	1.31	0.88	2.00	0.50	3.09	72,000
S-698	6.031	Call Us	1.56	1.13	2.75	0.50	3.59	136,000
S-998	9.031	Call Us	1.56	1.13	2.69/2.75	0.50	3.59	136,000

### Caterpillar Drive Chain



Chain Number	Pitch	Dimensions								Drive Dog Spacing	AUS (lbs.)	Working Load (lbs.)
		Inside Width	Roller Diameter	Pin Diameter	Sidebar Height	Sidebar Thick	Pin Head to CL	Pin End to CL	Overall Width			
		A	B	C	D	E	F	G	H			
160/348	2.000	1.25	1.12	0.56	2.00	0.25	1.30	1.45	2.75	6L	56,000	3,450
160/458	2.000	1.25	1.12	0.56	2.00	0.25	1.30	1.45	2.75	4L or 6L	56,000	3,450
160/678	2.000	1.25	1.12	0.56	2.00	0.25	1.30	1.45	2.75	6L	56,000	3,450

# Welded Steel Chains

## MILL TYPE SERIES

- Designed for heavy duty conveyor service.
- Full Round Press Fit Pins for better fatigue resistance and strength.
- High Quality Pitch Holes.
- Readily handles shock loads and abrasive conditions.
- Available in Carbon and Stainless Steel.
- Replaces cast pintle and combination chains.
- WHX series offers added benefits to wear and abrasion resistance.
- Available in Riveted and Cottered Construction.
- See Page 195 for Tsubaki's Welded Mill Chain Line.

## DRAG TYPE SERIES

- Wide Series Welded Steel Chain.
- WDH Series - all parts through-hardened for superior durability and toughness.
- Riveted construction is standard.
- Available with lube holes drilled into barrels and reverse barrels. (MTO)
- Large bearing area provides an increase in working load capacity.
- Symmetrical design permits chain to be flipped over for additional service life.
- See Page 234 for Tsubaki's Welded Drag Chain Line.

## HEAVY DUTY HARD FACED SERIES

- Designed and manufactured to offer superior strength, wear and impact resistance.
- Ideal for demanding applications in abrasive and hot conditions.
- Full round press fit pins for better fatigue resistance and strength.
- Induction-hardened pins to resist abrasive wear.
- Hard-faced welding on the chain's sliding surfaces.
- See Page 243 for Tsubaki's Welded Heavy Duty Hard Faced Chain Line.



## TYPICAL APPLICATIONS

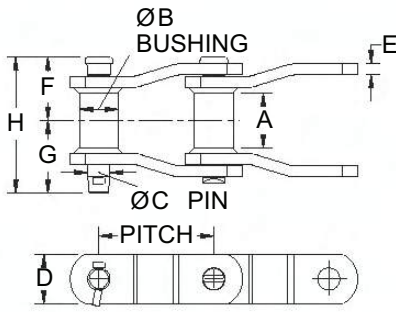
- Bulk Drag Conveyors
- Elevators
- Clinker Drag Conveyors
- Lime Drag Conveyors

## COMMON INDUSTRIES



Don't see what you need? Call us at 1-800-323-7790 and we will make it!

# Welded Steel Mill Series Chains



Chain Number	Pitch	Sidebar style	Attachment Detail	Dimensions								AUS (lbs.)	Max Working Load (lbs.)
				Inside Width	Bushing Diameter	Pin Diameter	Sidebar Height	Sidebar Thickness	Pin Head to CL	Pin End to CL	Overall Width		
				A	B	C	D	E	F	G	H		
WHX-78	2.609	Offset	See page 196	1.19	0.88	0.50	1.12	0.25	1.44	1.66	3.09	33,000	3,500
WHX-82	3.075	Offset	See page 201	1.44	1.06	0.56	1.25	0.25	1.56	1.73	3.29	36,000	4,400
WHX-124*	4.000	Offset	See page 205	1.62	1.25	0.75	1.50	0.38	1.94	2.22	4.16	60,000	7,350
WHX-124H	4.063	Offset	See page 208	1.62	1.75	1.00	2.00	0.50	2.28	2.72	5.00	100,000	10,500
WHX-111	4.760	Offset	See page 211	2.25	1.38	0.75	1.50	0.38	2.25	2.66	4.91	58,000	8,850
WHX-106	6.000	Offset	See page 213	1.63	1.25	0.75	1.50	0.38	1.94	2.22	4.16	60,000	7,200
WHX-132**	6.050	Offset	See page 215	2.75	1.75	1.00	2.00	0.50	2.97	3.41	6.38	100,000	15,300
WHX-150	6.050	Offset	See page 219	2.88	1.75	1.00	2.50	0.50	2.97	3.41	6.38	150,000	15,000
WHX-155	6.050	Offset	See page 223	2.75	1.75	1.12	2.50	0.62	3.22	3.66	6.88	184,000	20,000
WHX-159	6.125	Offset	See page 227	2.88	2.00	1.25	3.00	0.62	3.22	3.66	6.88	230,000	18,000
WHX-2855	6.050	Offset	See page 231	2.75	1.75	1.25	2.50	0.62	3.22	3.66	6.88	175,000	20,250
WHX-3855	6.050	Offset	See page 232	2.75	1.75	1.25	3.00	0.62	3.22	3.66	6.88	200,000	20,250
WHX-4855	12.000	Offset	See page 233	2.75	1.75	1.25	2.50	0.62	3.22	3.66	6.88	175,000	20,250

\*US Tsubaki W-124 chains in stainless steel have 1.38" dia bushings.  
 \*\*US Tsubaki W-132 chains in stainless steel have 1.63" dia bushings.

## Drag System Products and Assemblies Available:

- Sprockets - See Page 252
- Paddles/Plates/Cups/Lugs - See Page 248
- Backstops/Clutches - See Page 258



# WELDED STEEL MILL CHAINS

## WHX-78 CHAIN

2.609" PITCH

Average Ultimate Strength: 33,000 lbs  
 Max Working Load: 3,500 lbs  
 Pitches Per Foot: 4.60

Upgrades Available:



WHX-78 CHAIN - PLAIN					Weight (lbs/ft): 4.00
	PLAIN CHAIN - CARBON		PLAIN CHAIN - STAINLESS		
PIN TYPE	Cottered	Riveted	Cottered	Riveted	
TSUBAKI® PART #	-	-	25140	25139	
UNION PART #	WHX78C	WHX78R	-	-	

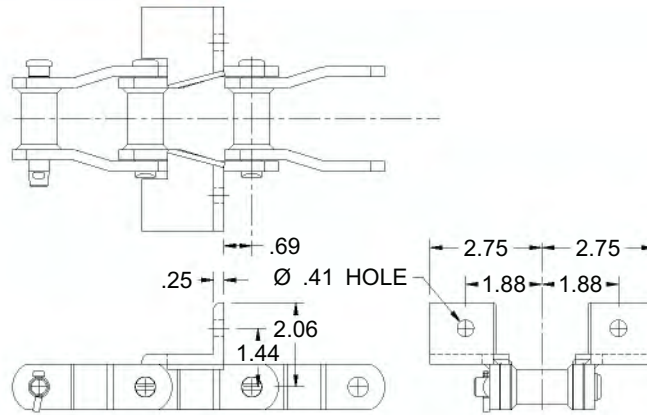
WHX-78 CHAIN - A1 ATTACHMENT					Weight 1L (lbs/ft): 4.65									
ATTACHMENT SPACING	1L		2L			3L		4L		5L		>5L		
PIN TYPE	Cottered	Riveted	Cottered	Riveted		Cottered	Riveted	Cottered	Riveted	Cottered	Riveted	Cottered	Riveted	
TSUBAKI® PART #	STAINLESS		27178	27180		27182	27184	27186	27188	27190	27192	27194	27196	Call Us
UNION® PART #	CARBON		27177	27179	27181	27183	27185	27187	27189	27191	27193	27195	Call Us	Call Us

WHX-78 CHAIN - A2 ATTACHMENT					Weight 1L (lbs/ft): 4.98									
ATTACHMENT SPACING	1L		2L			3L		4L		5L		>5L		
PIN TYPE	Cottered	Riveted	Cottered	Riveted		Cottered	Riveted	Cottered	Riveted	Cottered	Riveted	Cottered	Riveted	
TSUBAKI® PART #	STAINLESS		27198	27200		27202	27204	27206	27208	27210	27212	27214	27216	Call Us
UNION® PART #	CARBON		27197	27199	27201	27203	27205	27207	27209	27211	27213	27215	Call Us	Call Us

Don't see what you need? Call us at 1-800-323-7790 and we will make it!

## WHX-78 CHAIN - F2 ATTACHMENT

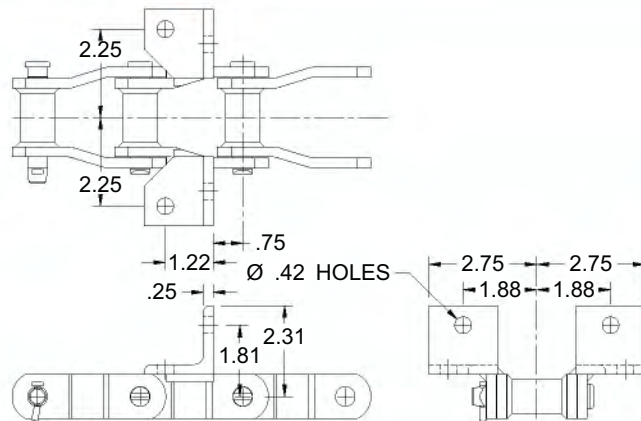
Weight 1L (lbs/ft): **7.35**



ATTACHMENT SPACING		1L		2L		3L		4L		5L		>5L	
	PIN TYPE	Cottered	Riveted	Cottered	Riveted	Cottered	Riveted	Cottered	Riveted	Cottered	Riveted	Cottered	Riveted
TSUBAKI® PART #	STAINLESS	27218	27220	27222	27224	27226	27228	27230	27232	27234	27236	Call Us	Call Us
	CARBON	27217	27219	27221	27223	27225	27227	27229	27231	27233	27235	Call Us	Call Us

## WHX-78 CHAIN - F4 ATTACHMENT

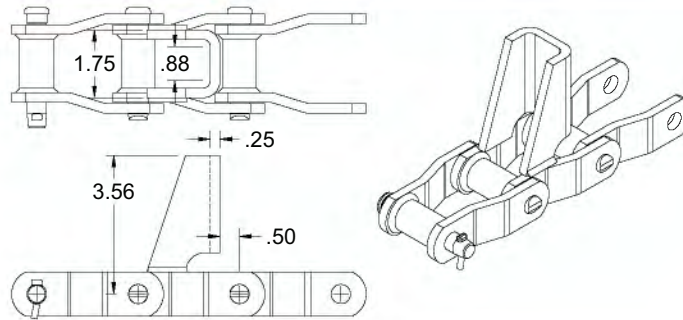
Weight 1L (lbs/ft): **7.45**



ATTACHMENT SPACING		1L		2L		3L		4L		5L		>5L	
	PIN TYPE	Cottered	Riveted	Cottered	Riveted	Cottered	Riveted	Cottered	Riveted	Cottered	Riveted	Cottered	Riveted
TSUBAKI® PART #	STAINLESS	27238	27240	27242	27244	27246	27248	27250	27253	27255	27257	Call Us	Call Us
	CARBON	27237	27239	27241	27243	27245	27247	27249	27252	27254	27256	Call Us	Call Us

### WHX-78 CHAIN - H1 ATTACHMENT

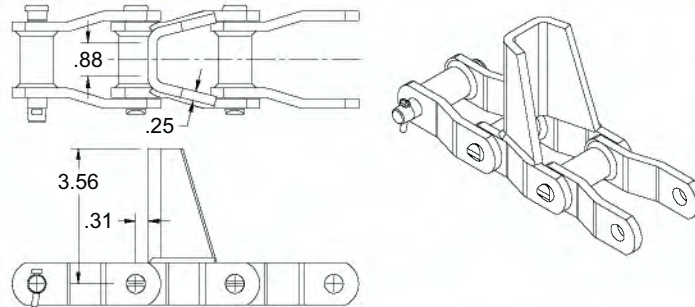
Weight 1L (lbs/ft): **7.35**



ATTACHMENT SPACING		1L		2L		3L		4L		5L		>5L	
	PIN TYPE	Cottered	Riveted	Cottered	Riveted	Cottered	Riveted	Cottered	Riveted	Cottered	Riveted	Cottered	Riveted
TSUBAKI® PART #	STAINLESS	27259	27261	27263	27265	27267	27268	27270	27272	27274	27276	Call Us	Call Us
	CARBON	27258	27260	27262	27264	27266	25673	27269	27271	27273	27275	Call Us	Call Us

### WHX-78 CHAIN - H2 ATTACHMENT

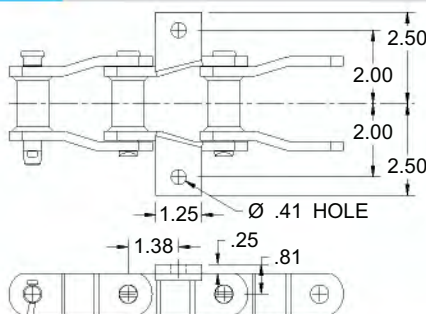
Weight 1L (lbs/ft): **7.73**



ATTACHMENT SPACING		1L		2L		3L		4L		5L		>5L	
	PIN TYPE	Cottered	Riveted	Cottered	Riveted	Cottered	Riveted	Cottered	Riveted	Cottered	Riveted	Cottered	Riveted
TSUBAKI® PART #	STAINLESS	27278	27280	27282	27284	27286	27288	27290	27292	27294	27296	Call Us	Call Us
	CARBON	27277	27279	27281	27283	27285	27287	27289	27291	27293	27295	Call Us	Call Us

### WHX-78 CHAIN - K1 ATTACHMENT

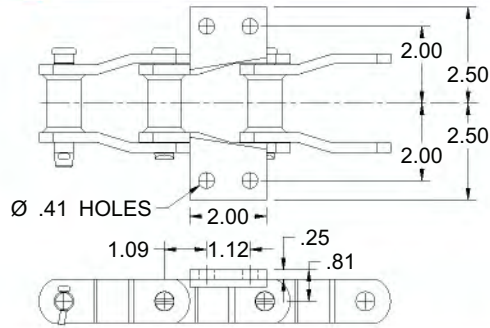
Weight 1L (lbs/ft): **5.22**



ATTACHMENT SPACING		1L		2L		3L		4L		5L		>5L	
	PIN TYPE	Cottered	Riveted	Cottered	Riveted	Cottered	Riveted	Cottered	Riveted	Cottered	Riveted	Cottered	Riveted
TSUBAKI® PART #	STAINLESS	27298	27300	27302	27303	27305	27307	27308	27310	27312	27314	Call Us	Call Us
	CARBON	27297	27299	27301	25598	27304	27306	25566	27309	27311	27313	Call Us	Call Us

### WHX-78 CHAIN - K2 ATTACHMENT

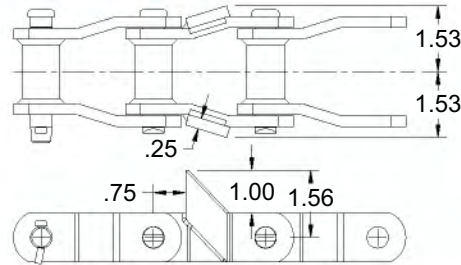
Weight 1L (lbs/ft): **5.88**



ATTACHMENT SPACING		1L		2L		3L		4L		5L		>5L	
	PIN TYPE	Cottered	Riveted	Cottered	Riveted	Cottered	Riveted	Cottered	Riveted	Cottered	Riveted	Cottered	Riveted
TSUBAKI® PART #	STAINLESS	27316	27318	27320	27322	27324	27325	27327	27329	27331	27333	Call Us	Call Us
	CARBON	27315	27317	27319	27321	27323	24270	27326	27328	27330	27332	Call Us	Call Us

### WHX-78 CHAIN - R1 / RR ATTACHMENT

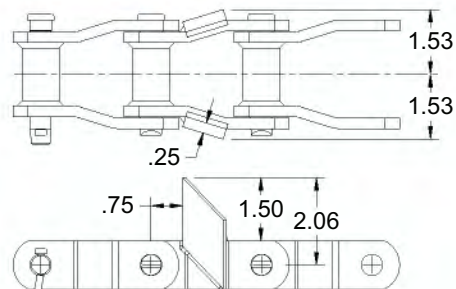
Weight 1L (lbs/ft): **4.82**



ATTACHMENT SPACING		1L		2L		3L		4L		5L		>5L	
	PIN TYPE	Cottered	Riveted	Cottered	Riveted	Cottered	Riveted	Cottered	Riveted	Cottered	Riveted	Cottered	Riveted
TSUBAKI® PART #	STAINLESS	27335	27337	27339	27341	27343	27345	27347	27349	27351	27353	Call Us	Call Us
	CARBON	27334	27336	27338	27340	27342	27344	27346	27348	27350	27352	Call Us	Call Us

### WHX-78 CHAIN - R1-1/2 ATTACHMENT

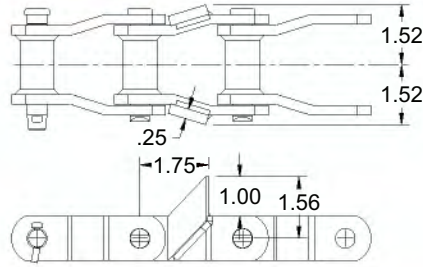
Weight 1L (lbs/ft): **5.15**



ATTACHMENT SPACING		1L		2L		3L		4L		5L		>5L	
	PIN TYPE	Cottered	Riveted	Cottered	Riveted	Cottered	Riveted	Cottered	Riveted	Cottered	Riveted	Cottered	Riveted
TSUBAKI® PART #	STAINLESS	27355	27357	27359	27361	27363	27365	27367	27369	27371	27373	Call Us	Call Us
	CARBON	27354	27356	27358	27360	27362	27364	27366	27368	27370	27372	Call Us	Call Us

## WHX-78 CHAIN - R2 / RR2 ATTACHMENT

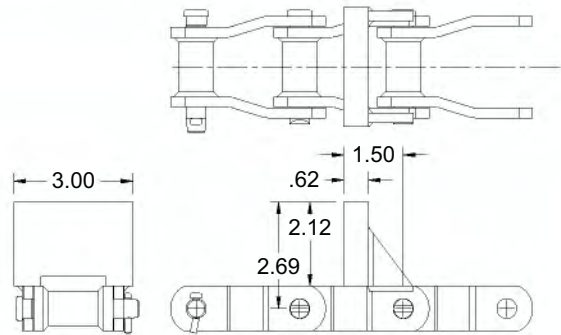
Weight 1L (lbs/ft): **4.82**



ATTACHMENT SPACING		1L		2L		3L		4L		5L		>5L	
PIN TYPE		Cottered	Riveted	Cottered	Riveted	Cottered	Riveted	Cottered	Riveted	Cottered	Riveted	Cottered	Riveted
<b>TSUBAKI</b> PART #	STAINLESS	27375	27377	27379	27381	27383	27385	27387	27389	27391	27393	Call Us	Call Us
<b>UNION</b> PART #	CARBON	27374	27376	27378	27380	27382	27384	27386	27388	27390	27392	Call Us	Call Us

## WHX-78 CHAIN - RF2 ATTACHMENT

Weight 1L (lbs/ft): **9.53**



ATTACHMENT SPACING		1L		2L		3L		4L		5L		>5L	
PIN TYPE		Cottered	Riveted	Cottered	Riveted	Cottered	Riveted	Cottered	Riveted	Cottered	Riveted	Cottered	Riveted
<b>TSUBAKI</b> PART #	STAINLESS	27395	27397	27399	27401	27403	27405	27407	27409	27411	27413	Call Us	Call Us
<b>UNION</b> PART #	CARBON	27394	27396	27398	27400	27402	27404	27406	27408	27410	27412	Call Us	Call Us





# WELDED STEEL MILL CHAINS

## WHX-82 CHAIN

3.075" PITCH

Average Ultimate Strength: 36,000 lbs  
 Max Working Load: 4,400 lbs  
 Pitches Per Foot: 3.90

Upgrades Available:



WHX-82 CHAIN - PLAIN					Weight (lbs/ft): 4.80
	PLAIN CHAIN - CARBON		PLAIN CHAIN - STAINLESS		
PIN TYPE	Cottered	Riveted	Cottered	Riveted	
TSUBAKI® PART #	-	-	29388	29389	
UNION PART #	WHX82C	WHX82R	-	-	

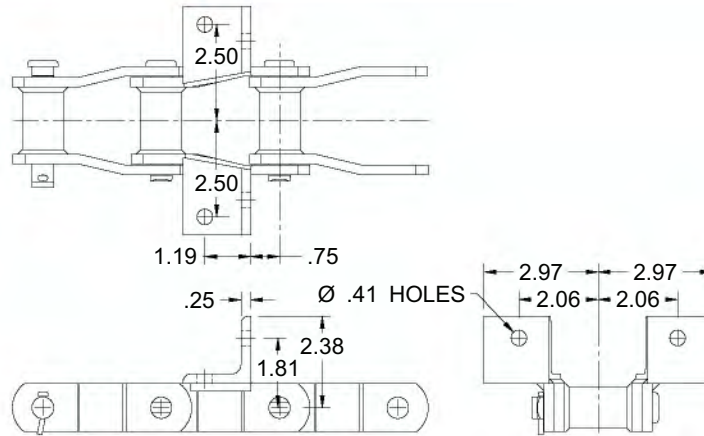
WHX-82 CHAIN - A1 ATTACHMENT							Weight 1L (lbs/ft): 5.85																																																						
							<table border="1" style="width: 100%; border-collapse: collapse;"> <thead> <tr> <th style="background-color: #0070C0; color: white;">ATTACHMENT SPACING</th> <th colspan="2">1L</th> <th colspan="2">2L</th> <th colspan="2">3L</th> <th colspan="2">4L</th> <th colspan="2">5L</th> <th colspan="2">&gt;5L</th> </tr> <tr> <th style="background-color: #0070C0; color: white;">PIN TYPE</th> <th style="background-color: #0070C0; color: white;">Cottered</th> <th style="background-color: #0070C0; color: white;">Riveted</th> <th style="background-color: #0070C0; color: white;">Cottered</th> <th style="background-color: #0070C0; color: white;">Riveted</th> <th style="background-color: #0070C0; color: white;">Cottered</th> <th style="background-color: #0070C0; color: white;">Riveted</th> <th style="background-color: #0070C0; color: white;">Cottered</th> <th style="background-color: #0070C0; color: white;">Riveted</th> <th style="background-color: #0070C0; color: white;">Cottered</th> <th style="background-color: #0070C0; color: white;">Riveted</th> <th style="background-color: #0070C0; color: white;">Cottered</th> <th style="background-color: #0070C0; color: white;">Riveted</th> </tr> </thead> <tbody> <tr> <td style="background-color: #0070C0; color: white;">TSUBAKI® PART #</td> <td style="text-align: center;">STAINLESS</td> <td style="text-align: center;">27426</td> <td style="text-align: center;">27428</td> <td style="text-align: center;">27430</td> <td style="text-align: center;">27432</td> <td style="text-align: center;">27434</td> <td style="text-align: center;">27436</td> <td style="text-align: center;">27438</td> <td style="text-align: center;">27440</td> <td style="text-align: center;">27442</td> <td style="text-align: center;">27444</td> <td style="text-align: center;">Call Us</td> <td style="text-align: center;">Call Us</td> </tr> <tr> <td style="background-color: #0070C0; color: white;">UNION® PART #</td> <td style="text-align: center;">CARBON</td> <td style="text-align: center;">27425</td> <td style="text-align: center;">27427</td> <td style="text-align: center;">27429</td> <td style="text-align: center;">27431</td> <td style="text-align: center;">27433</td> <td style="text-align: center;">27435</td> <td style="text-align: center;">27437</td> <td style="text-align: center;">27439</td> <td style="text-align: center;">27441</td> <td style="text-align: center;">27443</td> <td style="text-align: center;">Call Us</td> <td style="text-align: center;">Call Us</td> </tr> </tbody> </table>	ATTACHMENT SPACING	1L		2L		3L		4L		5L		>5L		PIN TYPE	Cottered	Riveted	Cottered	Riveted	Cottered	Riveted	Cottered	Riveted	Cottered	Riveted	Cottered	Riveted	TSUBAKI® PART #	STAINLESS	27426	27428	27430	27432	27434	27436	27438	27440	27442	27444	Call Us	Call Us	UNION® PART #	CARBON	27425	27427	27429	27431	27433	27435	27437	27439	27441	27443	Call Us	Call Us
ATTACHMENT SPACING	1L		2L		3L			4L		5L		>5L																																																	
PIN TYPE	Cottered	Riveted	Cottered	Riveted	Cottered	Riveted		Cottered	Riveted	Cottered	Riveted	Cottered	Riveted																																																
TSUBAKI® PART #	STAINLESS	27426	27428	27430	27432	27434		27436	27438	27440	27442	27444	Call Us	Call Us																																															
UNION® PART #	CARBON	27425	27427	27429	27431	27433	27435	27437	27439	27441	27443	Call Us	Call Us																																																
PIN TYPE	Cottered	Riveted	Cottered	Riveted	Cottered	Riveted	Cottered	Riveted	Cottered	Riveted	Cottered	Riveted																																																	
TSUBAKI® PART #	STAINLESS	27426	27428	27430	27432	27434	27436	27438	27440	27442	27444	Call Us	Call Us																																																
UNION® PART #	CARBON	27425	27427	27429	27431	27433	27435	27437	27439	27441	27443	Call Us	Call Us																																																

WHX-82 CHAIN - A2 ATTACHMENT							Weight 1L (lbs/ft): 6.04																																																						
							<table border="1" style="width: 100%; border-collapse: collapse;"> <thead> <tr> <th style="background-color: #0070C0; color: white;">ATTACHMENT SPACING</th> <th colspan="2">1L</th> <th colspan="2">2L</th> <th colspan="2">3L</th> <th colspan="2">4L</th> <th colspan="2">5L</th> <th colspan="2">&gt;5L</th> </tr> <tr> <th style="background-color: #0070C0; color: white;">PIN TYPE</th> <th style="background-color: #0070C0; color: white;">Cottered</th> <th style="background-color: #0070C0; color: white;">Riveted</th> <th style="background-color: #0070C0; color: white;">Cottered</th> <th style="background-color: #0070C0; color: white;">Riveted</th> <th style="background-color: #0070C0; color: white;">Cottered</th> <th style="background-color: #0070C0; color: white;">Riveted</th> <th style="background-color: #0070C0; color: white;">Cottered</th> <th style="background-color: #0070C0; color: white;">Riveted</th> <th style="background-color: #0070C0; color: white;">Cottered</th> <th style="background-color: #0070C0; color: white;">Riveted</th> <th style="background-color: #0070C0; color: white;">Cottered</th> <th style="background-color: #0070C0; color: white;">Riveted</th> </tr> </thead> <tbody> <tr> <td style="background-color: #0070C0; color: white;">TSUBAKI® PART #</td> <td style="text-align: center;">STAINLESS</td> <td style="text-align: center;">27446</td> <td style="text-align: center;">27448</td> <td style="text-align: center;">27450</td> <td style="text-align: center;">27452</td> <td style="text-align: center;">27454</td> <td style="text-align: center;">27456</td> <td style="text-align: center;">27458</td> <td style="text-align: center;">27461</td> <td style="text-align: center;">27463</td> <td style="text-align: center;">27465</td> <td style="text-align: center;">Call Us</td> <td style="text-align: center;">Call Us</td> </tr> <tr> <td style="background-color: #0070C0; color: white;">UNION® PART #</td> <td style="text-align: center;">CARBON</td> <td style="text-align: center;">27445</td> <td style="text-align: center;">27447</td> <td style="text-align: center;">27449</td> <td style="text-align: center;">27451</td> <td style="text-align: center;">27453</td> <td style="text-align: center;">27455</td> <td style="text-align: center;">27457</td> <td style="text-align: center;">27459</td> <td style="text-align: center;">27462</td> <td style="text-align: center;">27464</td> <td style="text-align: center;">Call Us</td> <td style="text-align: center;">Call Us</td> </tr> </tbody> </table>	ATTACHMENT SPACING	1L		2L		3L		4L		5L		>5L		PIN TYPE	Cottered	Riveted	Cottered	Riveted	Cottered	Riveted	Cottered	Riveted	Cottered	Riveted	Cottered	Riveted	TSUBAKI® PART #	STAINLESS	27446	27448	27450	27452	27454	27456	27458	27461	27463	27465	Call Us	Call Us	UNION® PART #	CARBON	27445	27447	27449	27451	27453	27455	27457	27459	27462	27464	Call Us	Call Us
ATTACHMENT SPACING	1L		2L		3L			4L		5L		>5L																																																	
PIN TYPE	Cottered	Riveted	Cottered	Riveted	Cottered	Riveted		Cottered	Riveted	Cottered	Riveted	Cottered	Riveted																																																
TSUBAKI® PART #	STAINLESS	27446	27448	27450	27452	27454		27456	27458	27461	27463	27465	Call Us	Call Us																																															
UNION® PART #	CARBON	27445	27447	27449	27451	27453	27455	27457	27459	27462	27464	Call Us	Call Us																																																
PIN TYPE	Cottered	Riveted	Cottered	Riveted	Cottered	Riveted	Cottered	Riveted	Cottered	Riveted	Cottered	Riveted																																																	
TSUBAKI® PART #	STAINLESS	27446	27448	27450	27452	27454	27456	27458	27461	27463	27465	Call Us	Call Us																																																
UNION® PART #	CARBON	27445	27447	27449	27451	27453	27455	27457	27459	27462	27464	Call Us	Call Us																																																

WHX-78 / WHX-82 WELDED STEEL MILL SERIES CHAINS

## WHX-82 CHAIN - F4 ATTACHMENT

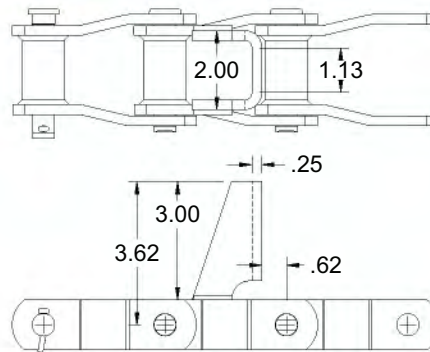
Weight 1L (lbs/ft): **8.19**



ATTACHMENT SPACING		1L		2L		3L		4L		5L		>5L	
	PIN TYPE	Cottered	Riveted	Cottered	Riveted	Cottered	Riveted	Cottered	Riveted	Cottered	Riveted	Cottered	Riveted
TSUBAKI® PART #	STAINLESS	27467	27469	27471	27473	27475	27477	27479	27481	27483	27485	Call Us	Call Us
	CARBON	27466	27468	27470	27472	27474	27476	27478	27480	27482	27484	Call Us	Call Us

## WHX-82 CHAIN - H1 ATTACHMENT

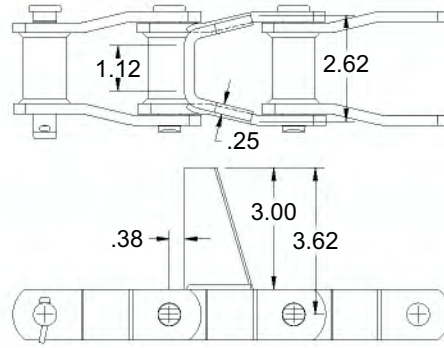
Weight 1L (lbs/ft): **7.88**



ATTACHMENT SPACING		1L		2L		3L		4L		5L		>5L	
	PIN TYPE	Cottered	Riveted	Cottered	Riveted	Cottered	Riveted	Cottered	Riveted	Cottered	Riveted	Cottered	Riveted
TSUBAKI® PART #	STAINLESS	27487	27489	27491	27493	27495	27497	27499	27501	27503	27505	Call Us	Call Us
	CARBON	27486	27488	27490	27492	27494	27496	27498	27500	27502	27504	Call Us	Call Us

## WHX-82 CHAIN - H2 ATTACHMENT

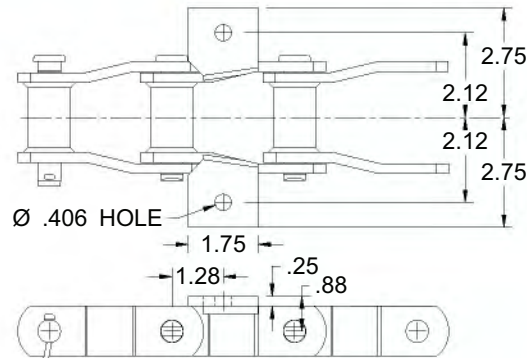
Weight 1L (lbs/ft): **8.23**



ATTACHMENT SPACING		1L		2L		3L		4L		5L		>5L	
PIN TYPE		Cottered	Riveted	Cottered	Riveted	Cottered	Riveted	Cottered	Riveted	Cottered	Riveted	Cottered	Riveted
TSUBAKI® PART #	STAINLESS	27507	27509	27511	27513	27515	27517	27519	27521	27523	27525	Call Us	Call Us
	CARBON	27506	27508	27510	27512	27514	27516	27518	27520	27522	27524	Call Us	Call Us

## WHX-82 CHAIN - K1 ATTACHMENT

Weight 1L (lbs/ft): **6.59**



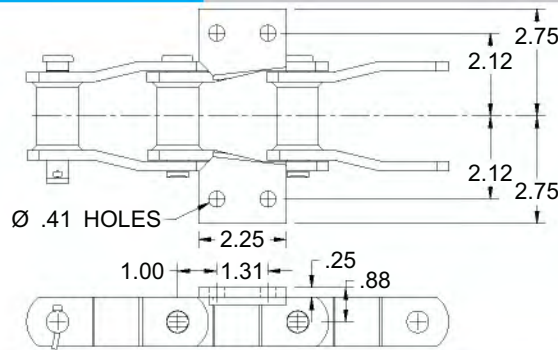
ATTACHMENT SPACING		1L		2L		3L		4L		5L		>5L	
PIN TYPE		Cottered	Riveted	Cottered	Riveted	Cottered	Riveted	Cottered	Riveted	Cottered	Riveted	Cottered	Riveted
TSUBAKI® PART #	STAINLESS	27526	27528	27529	27531	27533	27535	27537	27539	27541	27543	Call Us	Call Us
	CARBON	25922	27527	25792	27530	27532	27534	27536	27538	27540	27542	Call Us	Call Us

07.2019

07.2019

### WHX-82 CHAIN - K2 ATTACHMENT

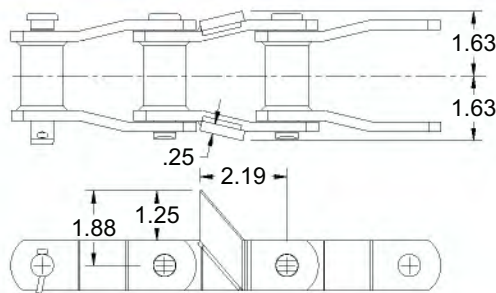
Weight 1L (lbs/ft): **6.98**



ATTACHMENT SPACING		1L		2L		3L		4L		5L		>5L	
	PIN TYPE	Cottered	Riveted	Cottered	Riveted	Cottered	Riveted	Cottered	Riveted	Cottered	Riveted	Cottered	Riveted
TSUBAKI® PART #	STAINLESS	27545	27547	27549	27551	27553	27555	27557	27558	27560	27562	Call Us	Call Us
	CARBON	27544	27546	27548	27550	27552	27554	27556	23486	27559	27561	Call Us	Call Us

### WHX-82 CHAIN - R1 / RR ATTACHMENT

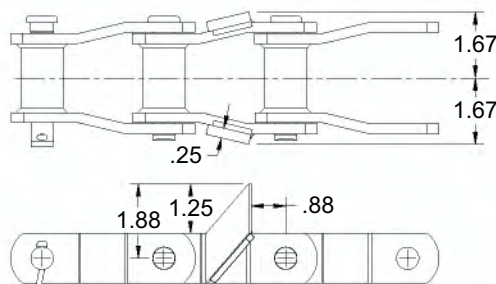
Weight 1L (lbs/ft): **5.88**



ATTACHMENT SPACING		1L		2L		3L		4L		5L		>5L	
	PIN TYPE	Cottered	Riveted	Cottered	Riveted	Cottered	Riveted	Cottered	Riveted	Cottered	Riveted	Cottered	Riveted
TSUBAKI® PART #	STAINLESS	27568	27570	27572	27574	27576	27578	27580	27582	27584	27586	Call Us	Call Us
	CARBON	27567	27569	27571	27573	27575	27577	27579	27581	27583	27585	Call Us	Call Us

### WHX-82 CHAIN - R2 / RR2 ATTACHMENT

Weight 1L (lbs/ft): **5.90**



ATTACHMENT SPACING		1L		2L		3L		4L		5L		>5L	
	PIN TYPE	Cottered	Riveted	Cottered	Riveted	Cottered	Riveted	Cottered	Riveted	Cottered	Riveted	Cottered	Riveted
TSUBAKI® PART #	STAINLESS	27588	27590	27592	27594	27596	27598	27600	27602	27604	27606	Call Us	Call Us
	CARBON	27587	27589	27591	27593	27595	27597	27599	27601	27603	27605	Call Us	Call Us

# WELDED STEEL MILL CHAINS

## WHX-124 CHAIN

4.000" PITCH

Average Ultimate Strength: 60,000 lbs  
 Max Working Load: 7,350 lbs  
 Pitches Per Foot: 3.00

Upgrades Available:



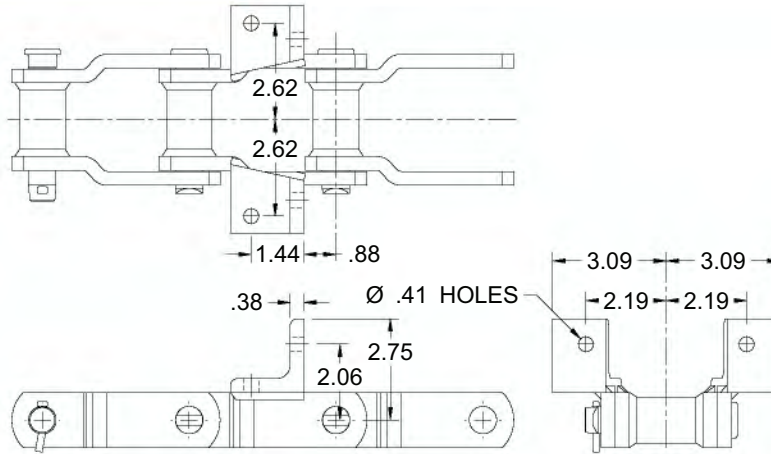
WHX-124 CHAIN - PLAIN					Weight 1L (lbs/ft): 8.30
	PLAIN CHAIN - CARBON		PLAIN CHAIN - STAINLESS		
PIN TYPE	Cottered	Riveted	Cottered	Riveted	
TSUBAKI® PART #	-	-	20290*	20285*	
UNION PART #	WHX124C	WHX124R	-	-	
*US Tsubaki W-124 chains in stainless steel have 1.38" dia bushings.					

WHX-124 CHAIN - A2 ATTACHMENT						Weight (lbs/ft): 9.65								
ATTACHMENT SPACING	1L		2L		3L		4L	5L	>5L					
PIN TYPE	Cottered	Riveted	Cottered	Riveted	Cottered		Riveted	Cottered	Riveted	Cottered	Riveted			
TSUBAKI® PART #	STAINLESS	27633	27635	27637	27639		27641	27643	27645	27647	27649	27651	Call Us	Call Us
UNION® PART #	CARBON	27632	27634	27636	27638		27640	27642	27644	27646	27648	27650	Call Us	Call Us

WHX-82 / WHX-124 WELDED STEEL MILL SERIES CHAINS

## WHX-124 CHAIN - F4 ATTACHMENT

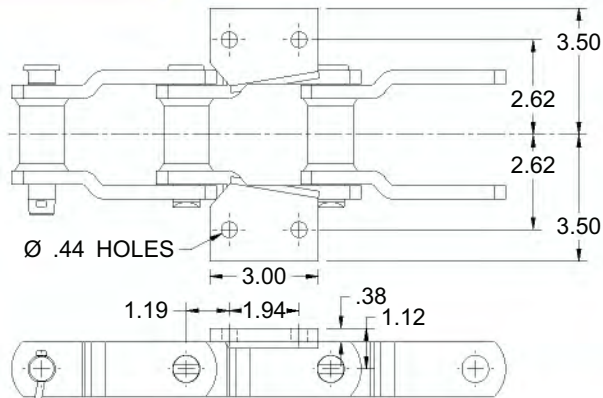
Weight 1L (lbs/ft): **11.41**



ATTACHMENT SPACING		1L		2L		3L		4L		5L		>5L	
	PIN TYPE	Cottered	Riveted	Cottered	Riveted	Cottered	Riveted	Cottered	Riveted	Cottered	Riveted	Cottered	Riveted
TSUBAKI® PART #	STAINLESS	27653	27655	27657	27659	27661	27663	27665	27667	27669	27671	Call Us	Call Us
	CARBON	27652	27654	27656	27658	27660	27662	27664	27666	27668	27670	Call Us	Call Us

## WHX-124 CHAIN - K2 ATTACHMENT

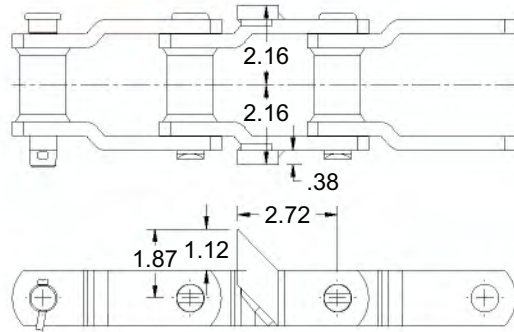
Weight 1L (lbs/ft): **11.42**



ATTACHMENT SPACING		1L		2L		3L		4L		5L		>5L	
	PIN TYPE	Cottered	Riveted	Cottered	Riveted	Cottered	Riveted	Cottered	Riveted	Cottered	Riveted	Cottered	Riveted
TSUBAKI® PART #	STAINLESS	27673	27675	27677	27679	27681	27683	27685	27687	27689	27691	Call Us	Call Us
	CARBON	27672	27674	27676	27678	27680	27682	27684	27686	27688	27690	Call Us	Call Us

### WHX-124 CHAIN - R1 / RR ATTACHMENT

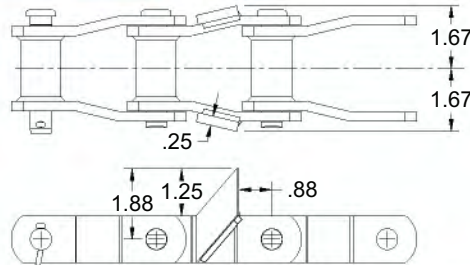
Weight 1L (lbs/ft): **8.96**



ATTACHMENT SPACING		1L		2L		3L		4L		5L		>5L	
PIN TYPE		Cottered	Riveted	Cottered	Riveted	Cottered	Riveted	Cottered	Riveted	Cottered	Riveted	Cottered	Riveted
TSUBAKI® PART #	STAINLESS	27693	27695	27697	27699	27701	27703	27705	27707	27709	27712	Call Us	Call Us
	CARBON	27692	27694	27696	27698	27700	27702	27704	27706	27708	27711	Call Us	Call Us

### WHX-124 CHAIN - R2 / RR2 ATTACHMENT

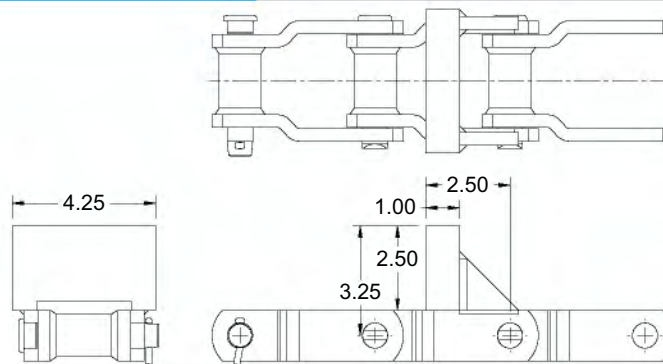
Weight 1L (lbs/ft): **8.96**



ATTACHMENT SPACING		1L		2L		3L		4L		5L		>5L	
PIN TYPE		Cottered	Riveted	Cottered	Riveted	Cottered	Riveted	Cottered	Riveted	Cottered	Riveted	Cottered	Riveted
TSUBAKI® PART #	STAINLESS	27714	27716	29390	27721	27723	27725	27727	27729	27732	27734	Call Us	Call Us
	CARBON	27713	27715	27717	27719	27722	27724	27726	27728	27731	27733	Call Us	Call Us

### WHX-124 CHAIN - RF2 ATTACHMENT

Weight 1L (lbs/ft): **17.35**



ATTACHMENT SPACING		1L		2L		3L		4L		5L		>5L	
PIN TYPE		Cottered	Riveted	Cottered	Riveted	Cottered	Riveted	Cottered	Riveted	Cottered	Riveted	Cottered	Riveted
TSUBAKI® PART #	STAINLESS	27736	27738	27740	27742	27744	27746	27748	27750	27752	27754	Call Us	Call Us
	CARBON	27735	27737	27739	27741	27743	27745	27747	27749	27751	27753	Call Us	Call Us

# WELDED STEEL MILL CHAINS

## WHX-124H CHAIN

4.063" PITCH

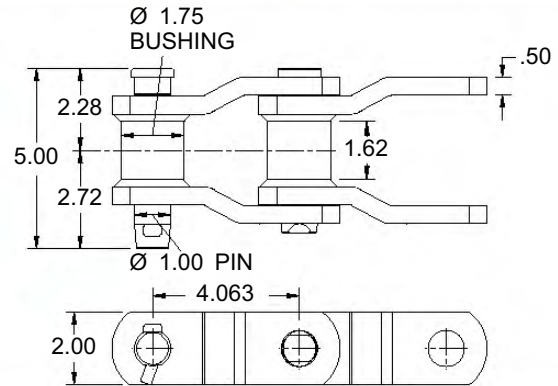
Average Ultimate Strength: 100,000 lbs  
 Max Working Load: 10,500 lbs  
 Pitches Per Foot: 2.95

Upgrades Available:



### WHX-124H CHAIN - PLAIN

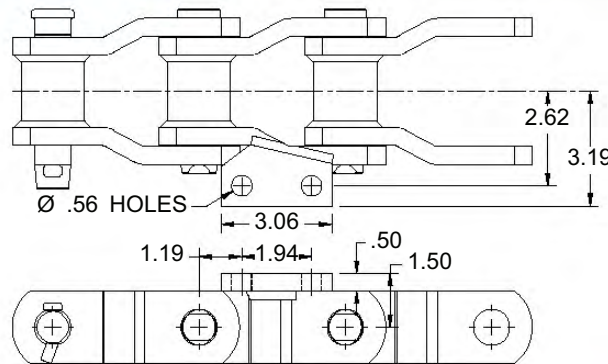
Weight (lbs/ft): 14.70



PIN TYPE	PLAIN CHAIN - CARBON		PLAIN CHAIN - STAINLESS	
	Cottered	Riveted	Cottered	Riveted
<b>TSUBAKI®</b> PART #	-	-	27755	27756
<b>UNION</b> PART #	WHX124HC	WHX124HR	-	-

### WHX-124H CHAIN - A2 ATTACHMENT

Weight 1L (lbs/ft): 17.22

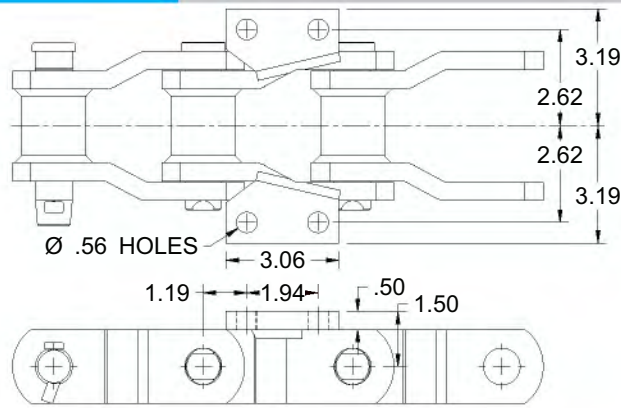


ATTACHMENT SPACING	PIN TYPE	1L		2L		3L		4L		5L		>5L	
		Cottered	Riveted	Cottered	Riveted	Cottered	Riveted	Cottered	Riveted	Cottered	Riveted	Cottered	Riveted
<b>TSUBAKI®</b> PART #	STAINLESS	27758	27760	27762	27764	27766	27768	27770	27772	27774	27776	Call Us	Call Us
<b>UNION®</b> PART #	CARBON	27757	27759	27761	27763	27765	27767	27769	27771	27773	27775	Call Us	Call Us



### WHX-124H CHAIN - K2 ATTACHMENT

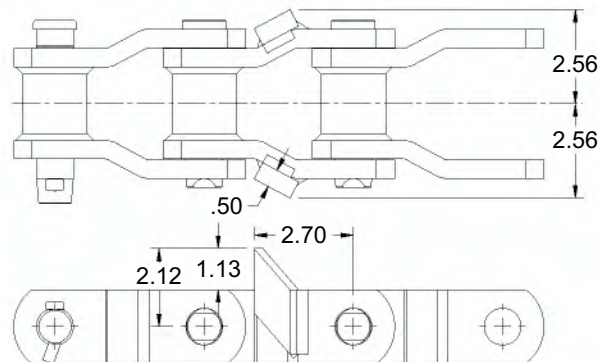
Weight 1L (lbs/ft): **18.90**



ATTACHMENT SPACING		1L		2L		3L		4L		5L		>5L	
PIN TYPE		Cottered	Riveted	Cottered	Riveted	Cottered	Riveted	Cottered	Riveted	Cottered	Riveted	Cottered	Riveted
TSUBAKI® PART #	STAINLESS	27778	27781	27784	27786	27788	27791	27793	27795	27798	27800	Call Us	Call Us
	CARBON	27777	27779	27783	27785	27787	27789	27792	27794	27797	27799	Call Us	Call Us

### WHX-124H CHAIN - RR ATTACHMENT

Weight 1L (lbs/ft): **17.23**

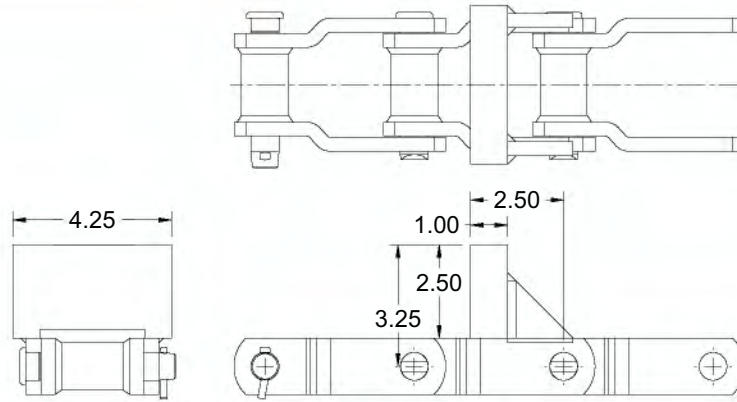


ATTACHMENT SPACING		1L		2L		3L		4L		5L		>5L	
PIN TYPE		Cottered	Riveted	Cottered	Riveted	Cottered	Riveted	Cottered	Riveted	Cottered	Riveted	Cottered	Riveted
TSUBAKI® PART #	STAINLESS	27802	27804	27806	27808	27810	27812	27814	27816	27818	27820	Call Us	Call Us
	CARBON	27801	27803	27805	27807	27809	27811	27813	27815	27817	27819	Call Us	Call Us



**WHX-124H CHAIN - RF2 ATTACHMENT**

Weight 1L (lbs/ft): **25.90**



ATTACHMENT SPACING		1L		2L		3L		4L		5L		>5L	
	PIN TYPE	Cottered	Riveted	Cottered	Riveted	Cottered	Riveted	Cottered	Riveted	Cottered	Riveted	Cottered	Riveted
<b>TSUBAKI</b> <sup>®</sup> PART #	<b>STAINLESS</b>	27822	27824	27826	27828	27830	27832	27834	27836	27838	27840	Call Us	Call Us
	<b>CARBON</b>	27821	27823	27825	27827	27829	27831	27833	27835	27837	27839	Call Us	Call Us

# WELDED STEEL MILL CHAINS

## WHX-111 CHAIN

4.760" PITCH

Average Ultimate Strength: 58,000 lbs

Max Working Load: 8,850 lbs

Pitches Per Foot: 2.52

Upgrades Available:

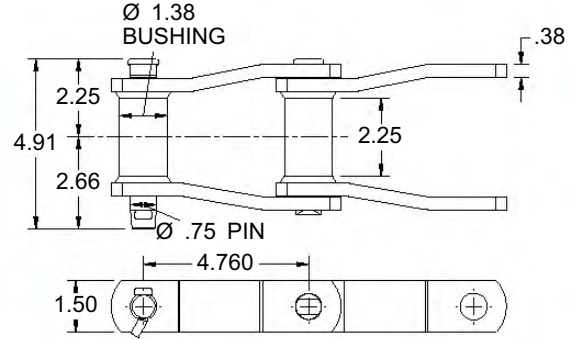


TITAN™  
XL



### WHX-111 CHAIN - PLAIN

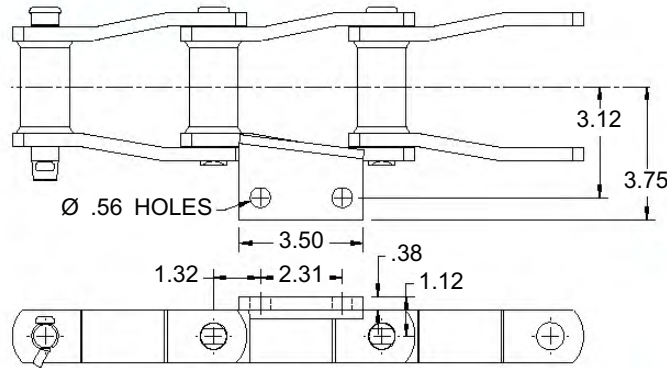
Weight (lbs/ft): 9.50



PIN TYPE	PLAIN CHAIN - CARBON		PLAIN CHAIN - STAINLESS	
	Cottered	Riveted	Cottered	Riveted
TSUBAKI® PART #	-	-	27841	27842
UNION PART #	WHX111C	WHX111R	-	-

### WHX-111 CHAIN - A2 ATTACHMENT

Weight 1L (lbs/ft): 10.03

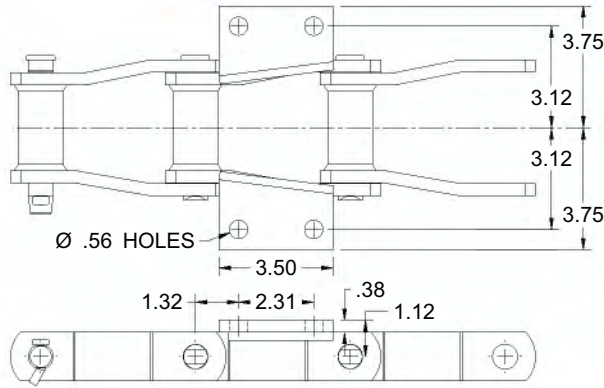


ATTACHMENT SPACING	PIN TYPE	1L		2L		3L		4L		5L		>5L	
		Cottered	Riveted	Cottered	Riveted	Cottered	Riveted	Cottered	Riveted	Cottered	Riveted	Cottered	Riveted
TSUBAKI® PART #	STAINLESS	27844	27846	27848	27850	27852	27854	27856	27858	27860	27862	Call Us	Call Us
UNION® PART #	CARBON	27843	27845	27847	27849	27851	27853	27855	27857	27859	27861	Call Us	Call Us

WHX-124H / WHX-111 WELDED STEEL MILL SERIES CHAINS

**WHX-111 CHAIN - K2 ATTACHMENT**

Weight 1L (lbs/ft): **11.76**



ATTACHMENT SPACING		1L		2L		3L		4L		5L		>5L	
	PIN TYPE	Cottered	Riveted	Cottered	Riveted	Cottered	Riveted	Cottered	Riveted	Cottered	Riveted	Cottered	Riveted
<b>TSUBAKI</b> PART #	STAINLESS	27864	27866	27868	27870	27872	27874	27876	27878	27880	27883	Call Us	Call Us
	CARBON	27863	27865	27867	27869	27871	27873	27875	27877	27879	27881	Call Us	Call Us

# WELDED STEEL MILL CHAINS

## WHX-106 CHAIN

6.000" PITCH

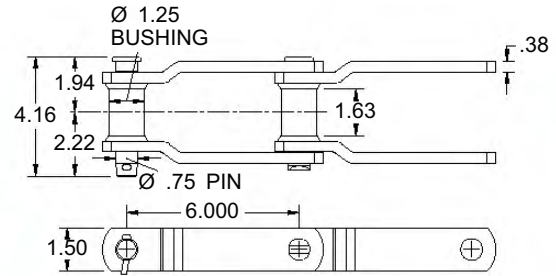
Average Ultimate Strength: 60,000 lbs  
 Max Working Load: 7,200 lbs  
 Pitches Per Foot: 2.00

Upgrades Available:



### WHX-106 CHAIN - PLAIN

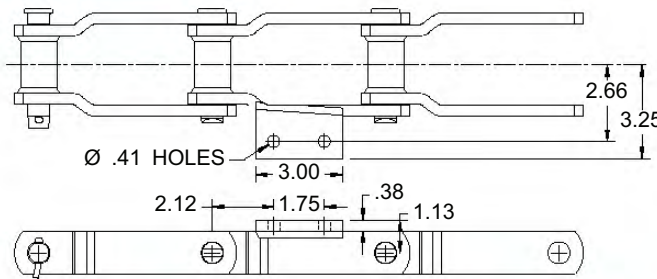
Weight 1L (lbs/ft): 7.00



PIN TYPE	PLAIN CHAIN - CARBON		PLAIN CHAIN - STAINLESS	
	Cottered	Riveted	Cottered	Riveted
<b>TSUBAKI®</b> PART #	-	-	27884	27885
<b>UNION®</b> PART #	WHX106C	WHX106R	-	-

### WHX-106 CHAIN - A2 ATTACHMENT

Weight 1L (lbs/ft): 7.54

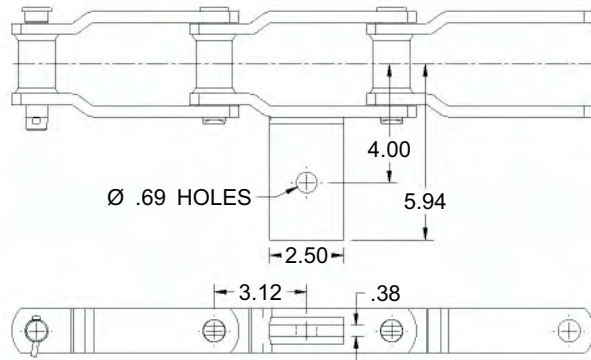


ATTACHMENT SPACING		1L		2L		3L		4L		5L		>5L	
PIN TYPE		Cottered	Riveted	Cottered	Riveted	Cottered	Riveted	Cottered	Riveted	Cottered	Riveted	Cottered	Riveted
<b>TSUBAKI®</b> PART #	STAINLESS	27887	27889	27891	27893	27895	27897	27899	27901	27903	27905	Call Us	Call Us
<b>UNION®</b> PART #	CARBON	27886	27888	27890	27892	27894	27896	27898	27900	27902	27904	Call Us	Call Us

WHX-111 / WHX-106 WELDED STEEL MILL SERIES CHAINS

## WHX-106 CHAIN - A22 ATTACHMENT

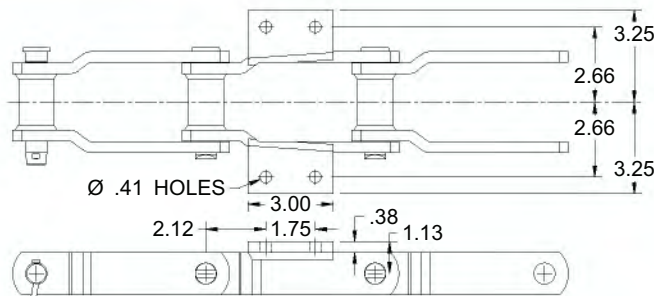
Weight 1L (lbs/ft): **8.70**



ATTACHMENT SPACING		1L		2L		3L		4L		5L		>5L	
	PIN TYPE	Cottered	Riveted	Cottered	Riveted	Cottered	Riveted	Cottered	Riveted	Cottered	Riveted	Cottered	Riveted
<b>TSUBAKI®</b>	<b>STAINLESS</b>	27907	27909	27911	27913	27915	27917	27919	27921	27923	27925	Call Us	Call Us
<b>UNION®</b>	<b>CARBON</b>	27906	27908	27910	27912	27914	27916	27918	27920	27922	27924	Call Us	Call Us

## WHX-106 CHAIN - K2 ATTACHMENT

Weight 1L (lbs/ft): **8.54**



ATTACHMENT SPACING		1L		2L		3L		4L		5L		>5L	
	PIN TYPE	Cottered	Riveted	Cottered	Riveted	Cottered	Riveted	Cottered	Riveted	Cottered	Riveted	Cottered	Riveted
<b>TSUBAKI®</b>	<b>STAINLESS</b>	27927	27929	27931	27933	27935	27937	27939	27941	27943	27945	Call Us	Call Us
<b>UNION®</b>	<b>CARBON</b>	27926	27928	27930	27932	27934	27936	27938	27940	27942	27944	Call Us	Call Us



# WELDED STEEL MILL CHAINS

## WHX-132 CHAIN

6.050" PITCH

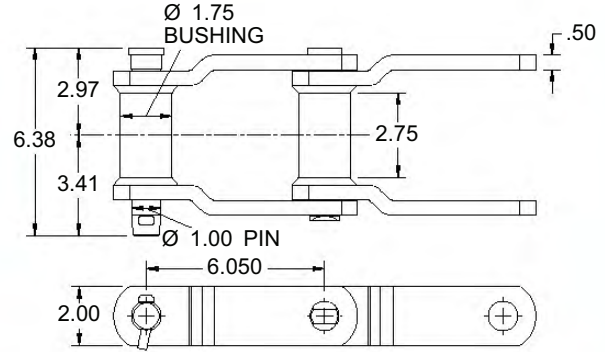
Average Ultimate Strength: 100,000 lbs  
 Max Working Load: 15,300 lbs  
 Pitches Per Foot: 1.98

Upgrades Available:



### WHX-132 CHAIN - PLAIN

Weight (lbs/ft): 14.20

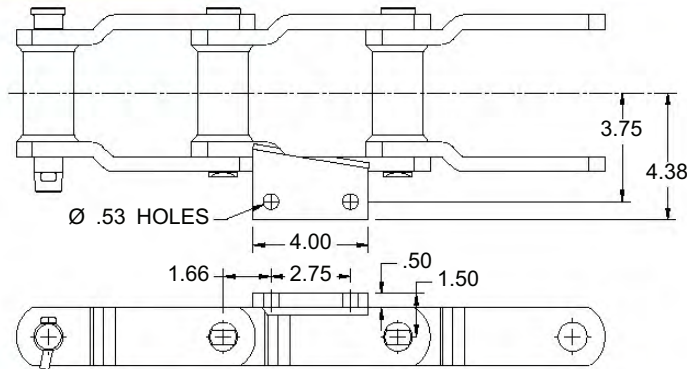


PIN TYPE	PLAIN CHAIN - CARBON		PLAIN CHAIN - STAINLESS*	
	Cottered	Riveted	Cottered	Riveted
TSUBAKI® PART #	-	-	20291*	20286*
UNION PART #	WHX132C	WHX132R	-	-

\*US Tsubaki W-132 chains in stainless steel have 1.63" dia bushings.

### WHX-132 CHAIN - A2 ATTACHMENT

Weight 1L (lbs/ft): 16.87

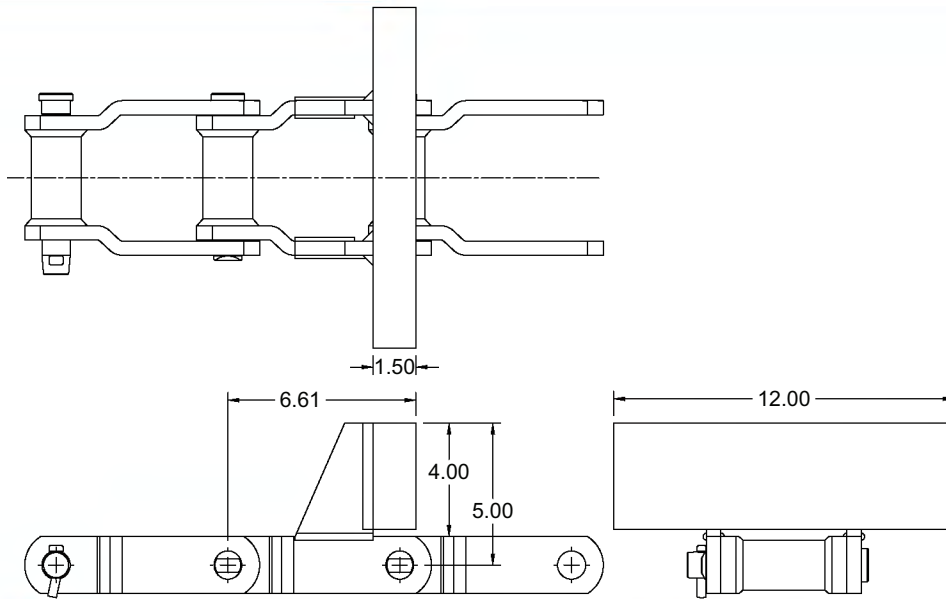


ATTACHMENT SPACING	PIN TYPE	1L		2L		3L		4L		5L		>5L	
		Cottered	Riveted	Cottered	Riveted	Cottered	Riveted	Cottered	Riveted	Cottered	Riveted	Cottered	Riveted
TSUBAKI® PART #	STAINLESS	27958	27960	27962	27964	27966	27968	27970	27972	27974	27976	Call Us	Call Us
UNION® PART #	CARBON	27957	27959	27961	27963	27965	27967	27969	27971	27973	27975	Call Us	Call Us

WHX-106 / WHX-132 WELDED STEEL MILL SERIES CHAINS

### WHX-132 CHAIN - RF121 ATTACHMENT

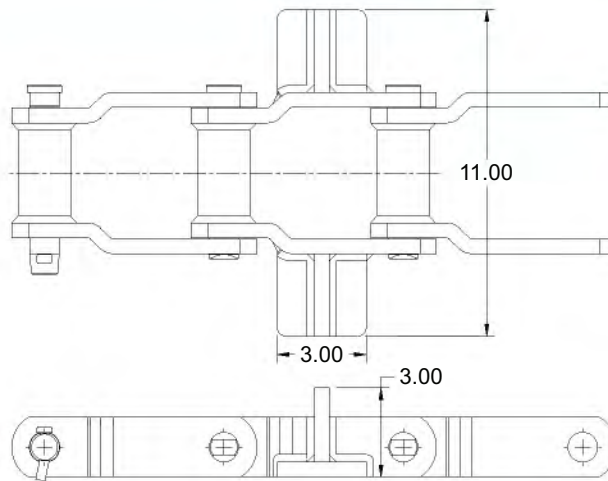
Weight 1L (lbs/ft): **57.47**



ATTACHMENT SPACING		1L		2L		3L		4L		5L		>5L	
	PIN TYPE	Cottered	Riveted	Cottered	Riveted	Cottered	Riveted	Cottered	Riveted	Cottered	Riveted	Cottered	Riveted
TSUBAKI® PART #	STAINLESS	27978	27980	27982	27984	27986	27988	27990	27992	27994	27996	Call Us	Call Us
	CARBON	27977	27979	27981	27983	27985	27987	27989	27991	27993	27995	Call Us	Call Us

### WHX-132 CHAIN - A-STYLE LOG CRADLE ATTACHMENT

Weight 1L (lbs/ft): **23.42**

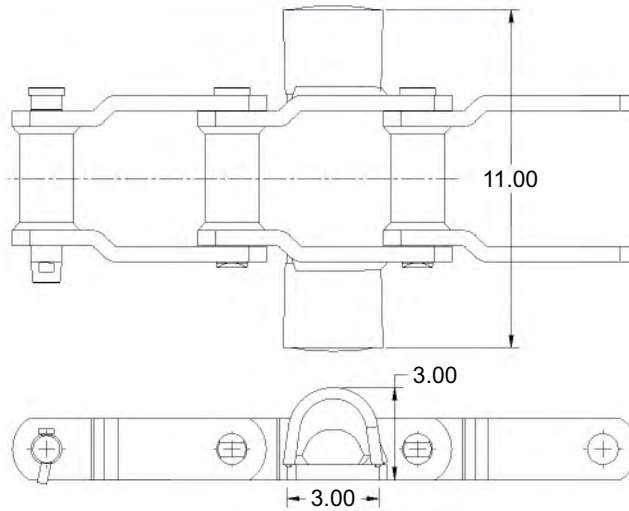


ATTACHMENT SPACING		1L		2L		3L		4L		5L		>5L	
	PIN TYPE	Cottered	Riveted	Cottered	Riveted	Cottered	Riveted	Cottered	Riveted	Cottered	Riveted	Cottered	Riveted
TSUBAKI® PART #	STAINLESS	27998	28001	28003	28005	28007	28009	28011	28013	28015	28017	Call Us	Call Us
	CARBON	27997	27999	28002	28004	28006	28008	28010	28012	28014	28016	Call Us	Call Us



## WHX-132 CHAIN - C-STYLE LOG CRADLE ATTACHMENT

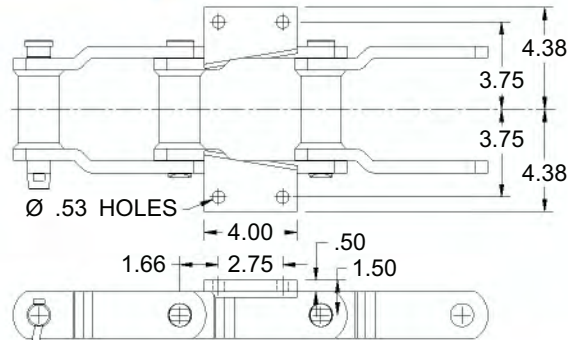
Weight 1L (lbs/ft): **26.39**



ATTACHMENT SPACING		1L		2L		3L		4L		5L		>5L	
TSUBAKI® PART #	PIN TYPE	Cottered	Riveted	Cottered	Riveted	Cottered	Riveted	Cottered	Riveted	Cottered	Riveted	Cottered	Riveted
		STAINLESS	28019	28021	28023	28025	28027	28029	28031	28033	28035	28037	Call Us
	CARBON	28018	28020	28022	28024	28026	28028	28030	28032	28034	28036	Call Us	Call Us

## WHX-132 CHAIN - K2 ATTACHMENT

Weight 1L (lbs/ft): **19.15**

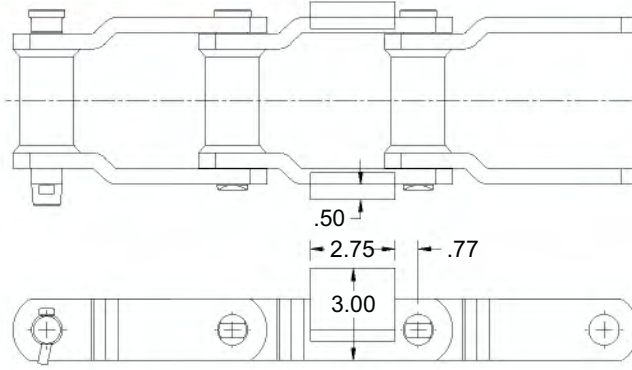


ATTACHMENT SPACING		1L		2L		3L		4L		5L		>5L	
TSUBAKI® PART #	PIN TYPE	Cottered	Riveted	Cottered	Riveted	Cottered	Riveted	Cottered	Riveted	Cottered	Riveted	Cottered	Riveted
		STAINLESS	28039	28040	28042	28043	28046	28048	28050	28052	28054	28056	Call Us
	CARBON	28038	26127	28041	26247	28044	28047	28049	28051	28053	28055	Call Us	Call Us



## WHX-132 CHAIN - M ATTACHMENT

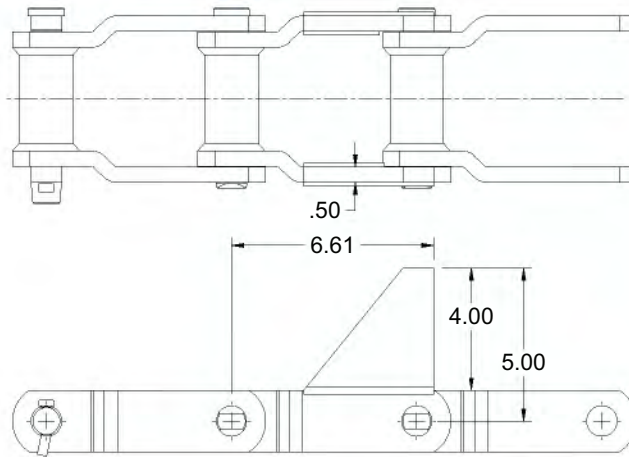
Weight 1L (lbs/ft): **17.83**



ATTACHMENT SPACING		1L		2L		3L		4L		5L		>5L	
	PIN TYPE	Cottered	Riveted	Cottered	Riveted	Cottered	Riveted	Cottered	Riveted	Cottered	Riveted	Cottered	Riveted
TSUBAKI® PART #	STAINLESS	28058	28060	28062	28064	28066	28068	28070	28072	28074	28075	Call Us	Call Us
	CARBON	28057	28059	28061	28063	28065	28067	28069	28071	28073	26605	Call Us	Call Us

## WHX-132 CHAIN - S1 ATTACHMENT

Weight 1L (lbs/ft): **20.55**



ATTACHMENT SPACING		1L		2L		3L		4L		5L		>5L	
	PIN TYPE	Cottered	Riveted	Cottered	Riveted	Cottered	Riveted	Cottered	Riveted	Cottered	Riveted	Cottered	Riveted
TSUBAKI® PART #	STAINLESS	28077	28079	28081	28083	28085	28087	28089	28090	28092	28094	Call Us	Call Us
	CARBON	28076	28078	28080	28082	28084	28086	28088	25968	28091	28093	Call Us	Call Us

# WELDED STEEL MILL CHAINS

## WHX-150 CHAIN

6.050" PITCH

Average Ultimate Strength: 150,000 lbs

Max Working Load: 15,000 lbs

Pitches Per Foot: 1.98

Upgrades Available:

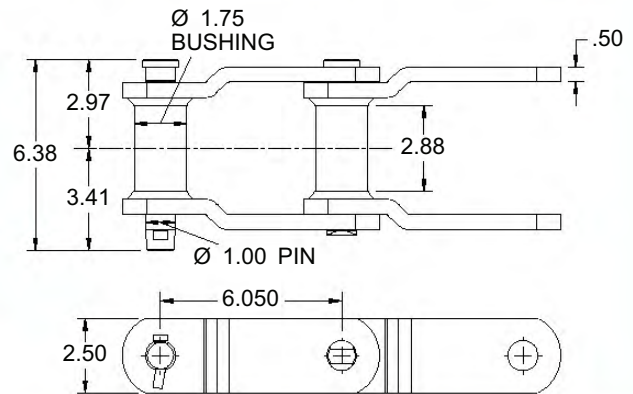


TITAN™  
XL



### WHX-150 CHAIN - PLAIN

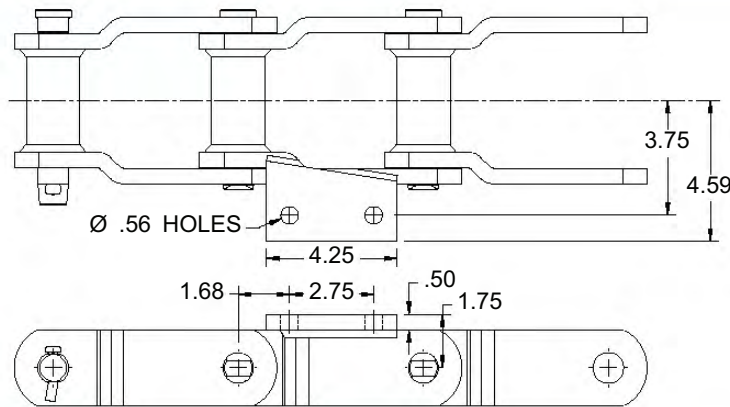
Weight (lbs/ft): 16.80



PIN TYPE	PLAIN CHAIN - CARBON		PLAIN CHAIN - STAINLESS	
	Cottered	Riveted	Cottered	Riveted
TSUBAKI® PART #	-	-	28095	28096
UNION PART #	WHX150C	WHX150R	-	-

### WHX-150 CHAIN - A2 ATTACHMENT

Weight 1L (lbs/ft): 19.77

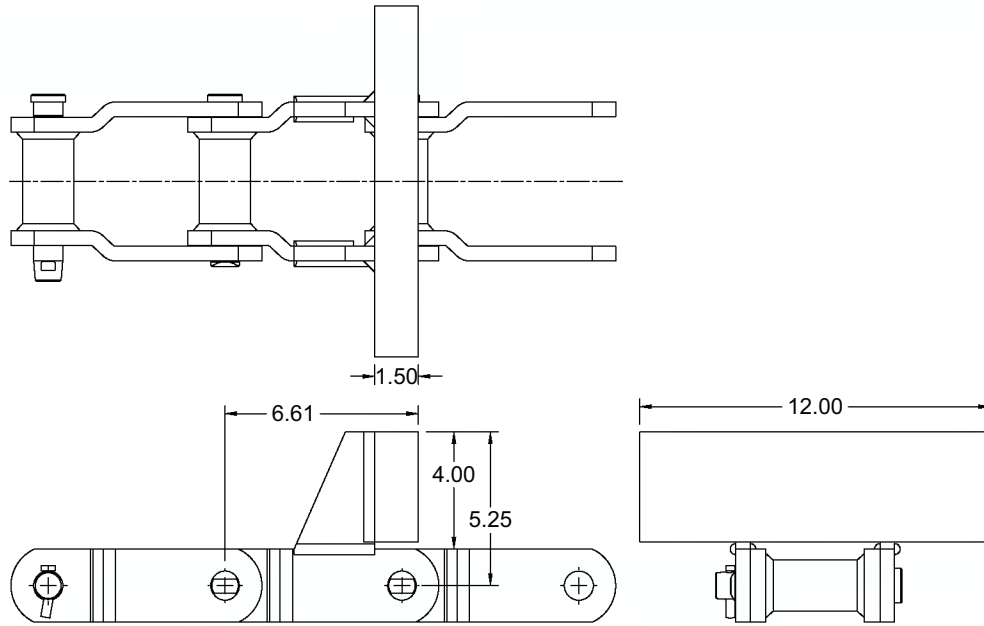


ATTACHMENT SPACING		1L		2L		3L		4L		5L		>5L	
PIN TYPE		Cottered	Riveted	Cottered	Riveted	Cottered	Riveted	Cottered	Riveted	Cottered	Riveted	Cottered	Riveted
TSUBAKI® PART #	STAINLESS	28098	28100	28102	28104	28106	28108	28110	28112	28114	28116	Call Us	Call Us
UNION® PART #	CARBON	28097	28099	28101	28103	28105	28107	28109	28111	28113	28115	Call Us	Call Us

WHX-132 / WHX-150 WELDED STEEL MILL SERIES CHAINS

## WHX-150 CHAIN - RF121 ATTACHMENT

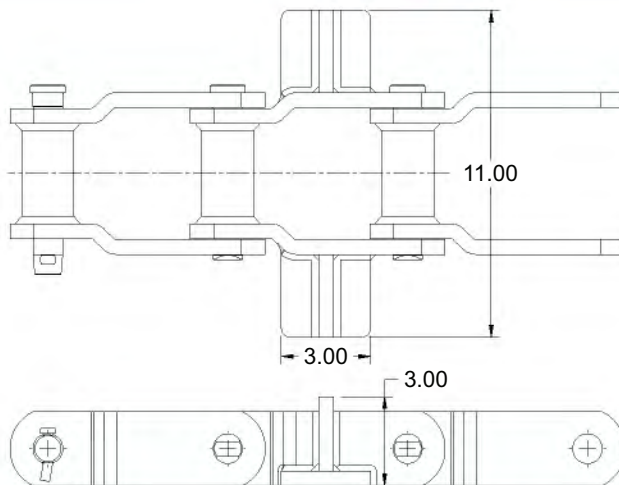
Weight 1L (lbs/ft): **60.10**



ATTACHMENT SPACING		1L		2L		3L		4L		5L		>5L	
	PIN TYPE	Cottered	Riveted	Cottered	Riveted	Cottered	Riveted	Cottered	Riveted	Cottered	Riveted	Cottered	Riveted
TSUBAKI® PART #	STAINLESS	28118	28120	28122	28124	28126	28128	28130	28132	28134	28136	Call Us	Call Us
	CARBON	28117	28119	28121	28123	28125	28127	28129	28131	28133	28135	Call Us	Call Us

## WHX-150 CHAIN - A-STYLE LOG CRADLE ATTACHMENT

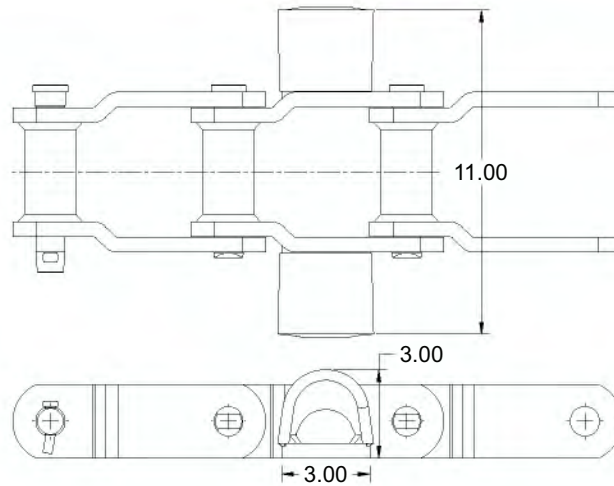
Weight 1L (lbs/ft): **25.93**



ATTACHMENT SPACING		1L		2L		3L		4L		5L		>5L	
	PIN TYPE	Cottered	Riveted	Cottered	Riveted	Cottered	Riveted	Cottered	Riveted	Cottered	Riveted	Cottered	Riveted
TSUBAKI® PART #	STAINLESS	28138	28140	28142	28144	28149	28151	28153	28155	28157	28159	Call Us	Call Us
	CARBON	28137	28139	28141	28143	28145	28150	28152	28154	28156	28158	Call Us	Call Us

## WHX-150 CHAIN - C-STYLE LOG CRADLE ATTACHMENT

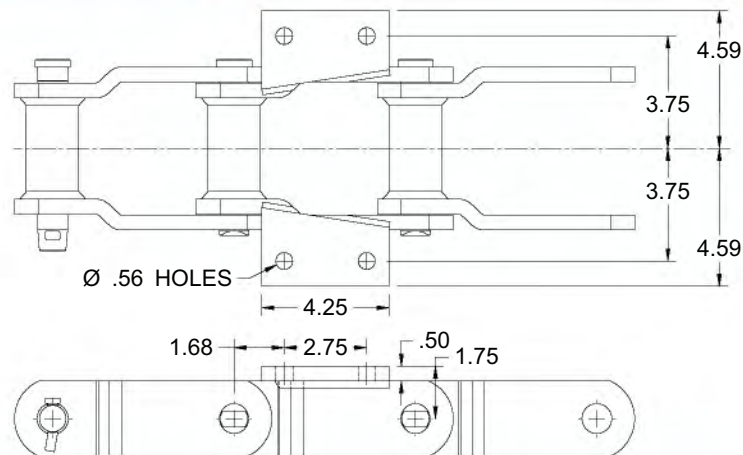
Weight 1L (lbs/ft): **21.06**



ATTACHMENT SPACING		1L		2L		3L		4L		5L		>5L	
	PIN TYPE	Cottered	Riveted	Cottered	Riveted	Cottered	Riveted	Cottered	Riveted	Cottered	Riveted	Cottered	Riveted
<b>TSUBAKI®</b> PART #	STAINLESS	28161	28163	28165	28167	28169	28171	28173	28175	28177	28179	Call Us	Call Us
	CARBON	28160	28162	28164	28166	28168	28170	28172	28174	28176	28178	Call Us	Call Us

## WHX-150 CHAIN - K2 ATTACHMENT

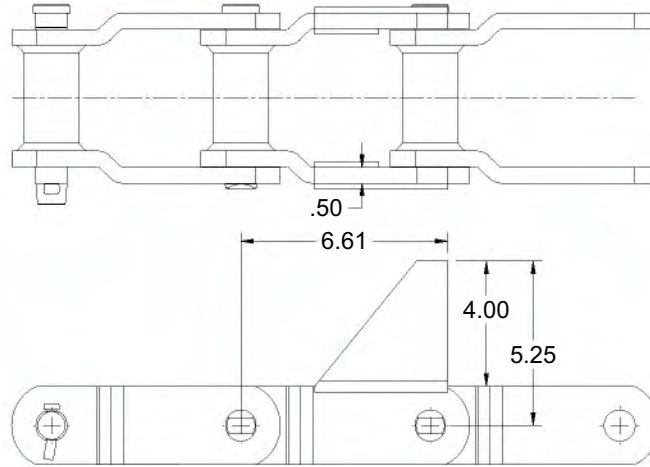
Weight 1L (lbs/ft): **22.40**



ATTACHMENT SPACING		1L		2L		3L		4L		5L		>5L	
	PIN TYPE	Cottered	Riveted	Cottered	Riveted	Cottered	Riveted	Cottered	Riveted	Cottered	Riveted	Cottered	Riveted
<b>TSUBAKI®</b> PART #	STAINLESS	28181	28183	28185	28187	28189	28191	28193	28195	28197	28199	Call Us	Call Us
	CARBON	28180	28182	28184	28186	28188	28190	28192	28194	28196	28198	Call Us	Call Us

**WHX-150 CHAIN - S1 ATTACHMENT**

Weight 1L (lbs/ft): **23.16**



ATTACHMENT SPACING		1L		2L		3L		4L		5L		>5L	
	PIN TYPE	Cottered	Riveted	Cottered	Riveted	Cottered	Riveted	Cottered	Riveted	Cottered	Riveted	Cottered	Riveted
<b>TSUBAKI®</b> PART #	STAINLESS	28201	28203	28205	28207	28209	28211	28213	28215	28217	28219	Call Us	Call Us
	CARBON	28200	28202	28204	28206	28208	28210	28212	28214	28216	28218	Call Us	Call Us



*Don't see what you need? Call us at 1-800-323-7790 and we will make it!*

# WELDED STEEL MILL CHAINS

## WHX-155 CHAIN

6.050" PITCH

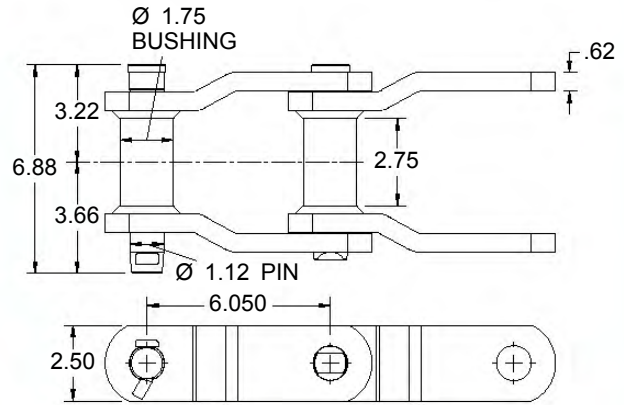
Average Ultimate Strength: 184,000 lbs  
 Max Working Load: 20,000 lbs  
 Pitches Per Foot: 1.98

Upgrades Available:



### WHX-155 CHAIN - PLAIN

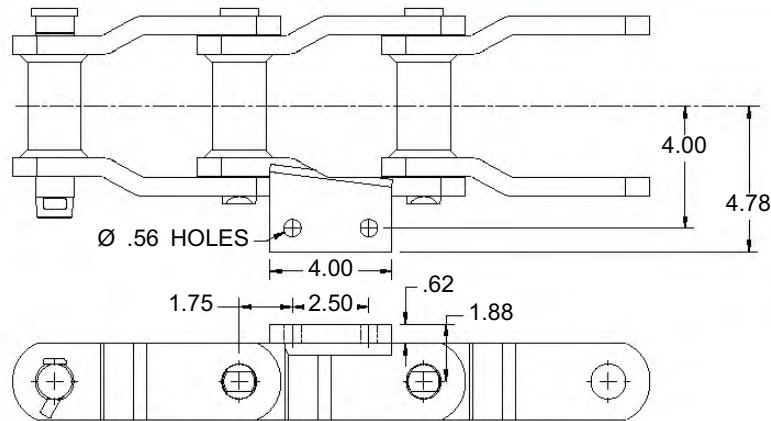
Weight (lbs/ft): **20.00**



PIN TYPE	PLAIN CHAIN - CARBON		PLAIN CHAIN - STAINLESS	
	Cottered	Riveted	Cottered	Riveted
TSUBAKI® PART #	-	-	25136	25135
UNION PART #	WHX155C	WHX155R	-	-

### WHX-155 CHAIN - A2 ATTACHMENT

Weight 1L (lbs/ft): **23.82**

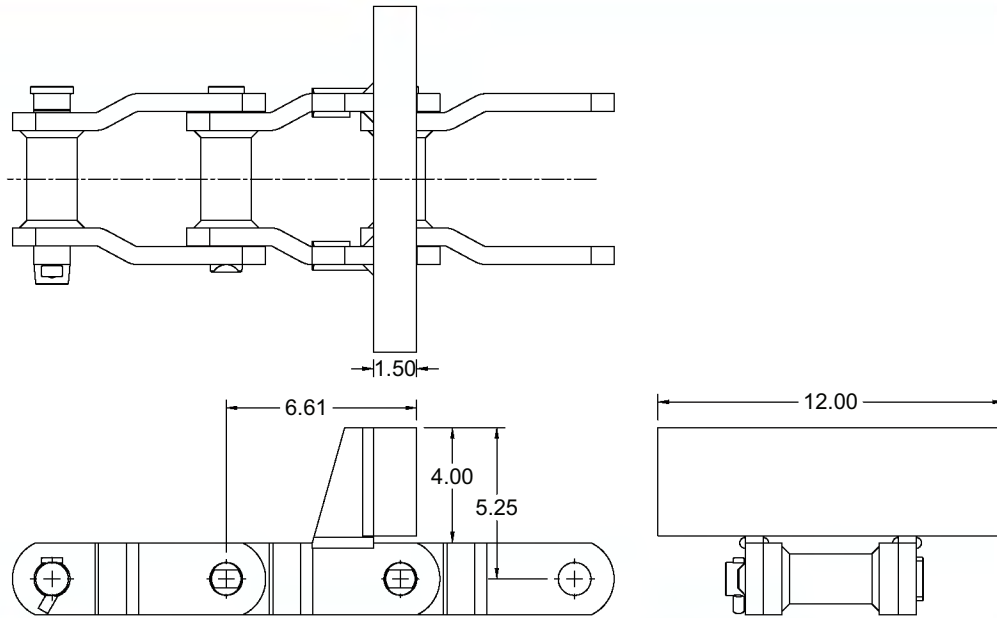


ATTACHMENT SPACING		1L		2L		3L		4L		5L		>5L	
PIN TYPE		Cottered	Riveted	Cottered	Riveted	Cottered	Riveted	Cottered	Riveted	Cottered	Riveted	Cottered	Riveted
TSUBAKI® PART #	STAINLESS	28221	28223	28225	28227	28229	28231	28233	28235	28237	28239	Call Us	Call Us
UNION® PART #	CARBON	29391	28222	28224	28226	28228	28230	28232	28234	28236	28238	Call Us	Call Us

WHX-150 / WHX-155 WELDED STEEL MILL SERIES CHAINS

## WHX-155 CHAIN - RF121 ATTACHMENT

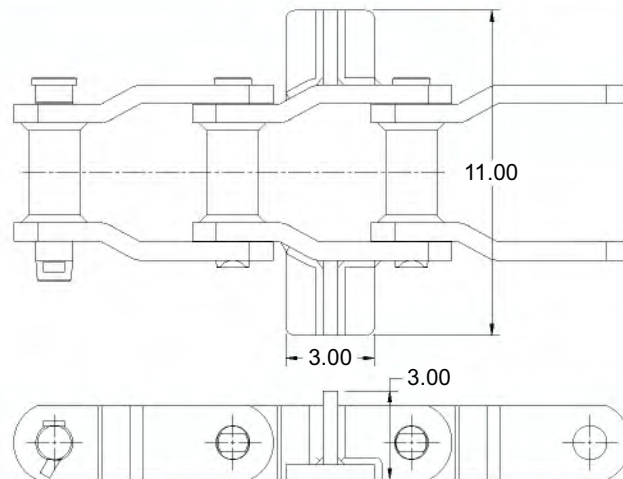
Weight 1L (lbs/ft): **63.60**



ATTACHMENT SPACING		1L		2L		3L		4L		5L		>5L	
	PIN TYPE	Cottered	Riveted	Cottered	Riveted	Cottered	Riveted	Cottered	Riveted	Cottered	Riveted	Cottered	Riveted
<b>TSUBAKI®</b> PART #	STAINLESS	28241	28243	28245	28247	28249	28251	28253	28255	28257	28259	Call Us	Call Us
	CARBON	28240	28242	28244	28246	28248	28250	28252	28254	28256	28258	Call Us	Call Us

## WHX-155 CHAIN - A-STYLE LOG CRADLE ATTACHMENT

Weight 1L (lbs/ft): **28.75**

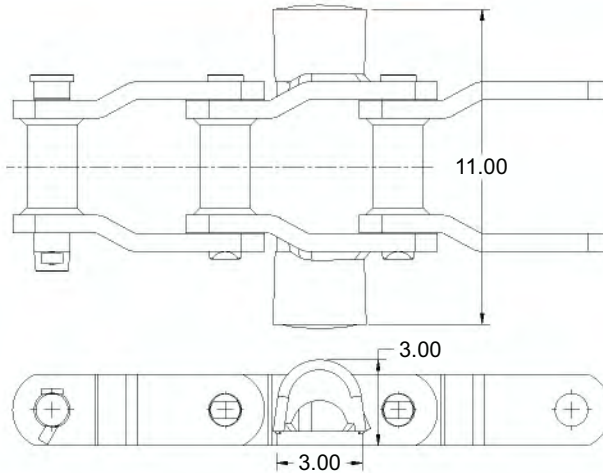


ATTACHMENT SPACING		1L		2L		3L		4L		5L		>5L	
	PIN TYPE	Cottered	Riveted	Cottered	Riveted	Cottered	Riveted	Cottered	Riveted	Cottered	Riveted	Cottered	Riveted
<b>TSUBAKI®</b> PART #	STAINLESS	28261	28263	28265	28267	28269	28271	28273	28275	28277	28279	Call Us	Call Us
	CARBON	28260	28262	28264	28266	28268	28270	28272	28274	28276	28278	Call Us	Call Us



## WHX-155 CHAIN - C-STYLE LOG CRADLE ATTACHMENT

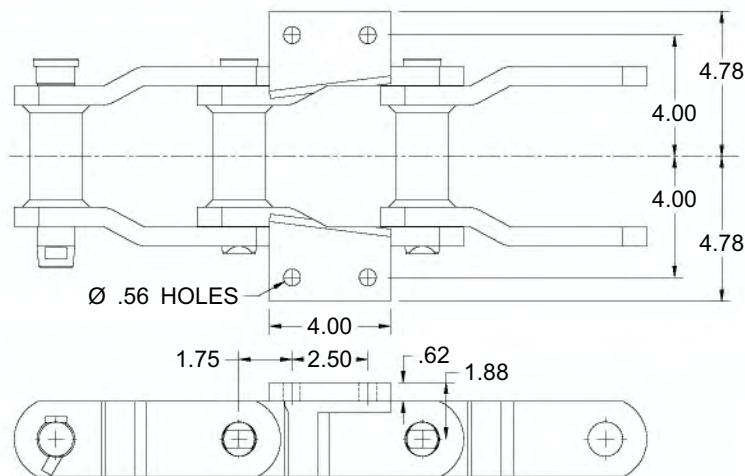
Weight 1L (lbs/ft): **24.02**



ATTACHMENT SPACING		1L		2L		3L		4L		5L		>5L	
TSUBAKI® PART #	PIN TYPE	Cottered	Riveted	Cottered	Riveted	Cottered	Riveted	Cottered	Riveted	Cottered	Riveted	Cottered	Riveted
		STAINLESS	28281	28283	28285	28287	28289	28291	28293	28295	28297	28299	Call Us
	CARBON	28280	28282	28284	28286	28288	28290	28292	28294	28296	28298	Call Us	Call Us

## WHX-155 CHAIN - K2 ATTACHMENT

Weight 1L (lbs/ft): **26.98**

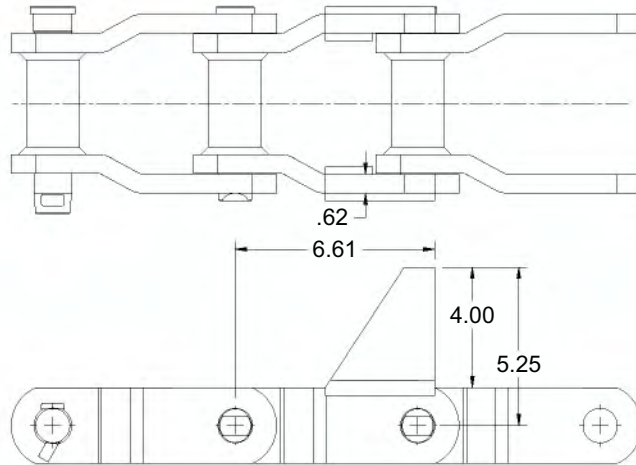


ATTACHMENT SPACING		1L		2L		3L		4L		5L		>5L	
TSUBAKI® PART #	PIN TYPE	Cottered	Riveted	Cottered	Riveted	Cottered	Riveted	Cottered	Riveted	Cottered	Riveted	Cottered	Riveted
		STAINLESS	28301	28303	28305	28307	28309	28311	28313	28314	28316	28318	Call Us
	CARBON	28300	28302	28304	28306	28308	28310	28312	26645	28315	28317	Call Us	Call Us



## WHX-155 CHAIN - S1 ATTACHMENT

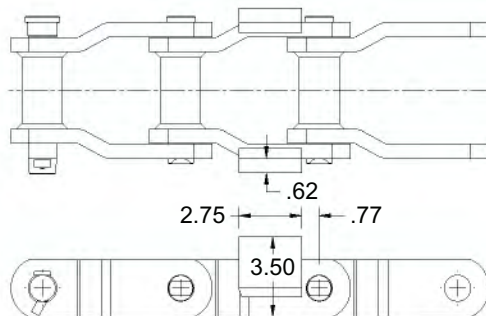
Weight 1L (lbs/ft): **27.01**



ATTACHMENT SPACING		1L		2L		3L		4L		5L		>5L	
PIN TYPE		Cottered	Riveted	Cottered	Riveted	Cottered	Riveted	Cottered	Riveted	Cottered	Riveted	Cottered	Riveted
TSUBAKI® PART #	STAINLESS	28320	28322	28324	28326	28328	28330	28332	28334	28336	28338	Call Us	Call Us
	CARBON	28319	28321	28323	28325	28327	28329	28331	28333	28335	28337	Call Us	Call Us

## WHX-155 CHAIN - M ATTACHMENT

Weight 1L (lbs/ft): **25.03**



ATTACHMENT SPACING		1L		2L		3L		4L		5L		>5L	
PIN TYPE		Cottered	Riveted	Cottered	Riveted	Cottered	Riveted	Cottered	Riveted	Cottered	Riveted	Cottered	Riveted
TSUBAKI® PART #	STAINLESS	28340	28342	28344	28346	28348	28350	28352	28354	28356	28358	Call Us	Call Us
	CARBON	28339	28341	28343	28345	28347	28349	28351	28353	28355	28357	Call Us	Call Us



Don't see what you need? Call us at 1-800-323-7790 and we will make it!

# WELDED STEEL MILL CHAINS

## WHX-159 CHAIN

6.125" PITCH

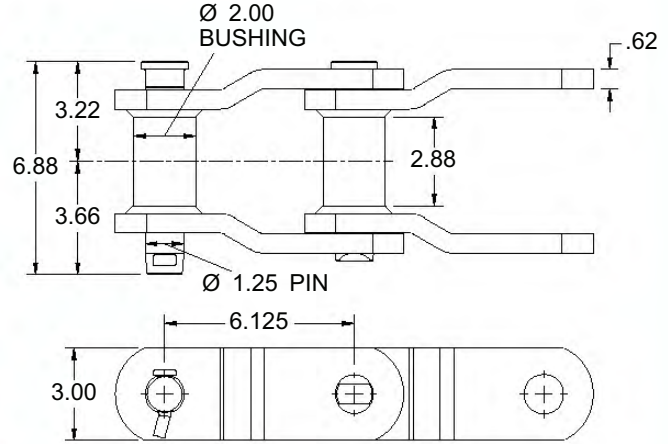
Average Ultimate Strength: 230,000 lbs  
 Max Working Load: 18,000 lbs  
 Pitches Per Foot: 1.98

Upgrades Available:



### WHX-159 CHAIN - PLAIN

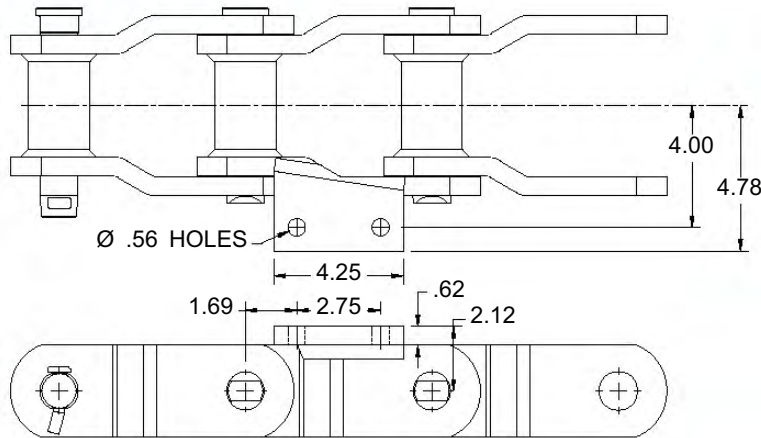
Weight (lbs/ft): 27.00



PIN TYPE	PLAIN CHAIN - CARBON		PLAIN CHAIN - STAINLESS	
	Cottered	Riveted	Cottered	Riveted
TSUBAKI® PART #	-	-	28360	28361
UNION PART #	WHX159C	WHX159R	-	-

### WHX-159 CHAIN - A2 ATTACHMENT

Weight 1L (lbs/ft): 28.54

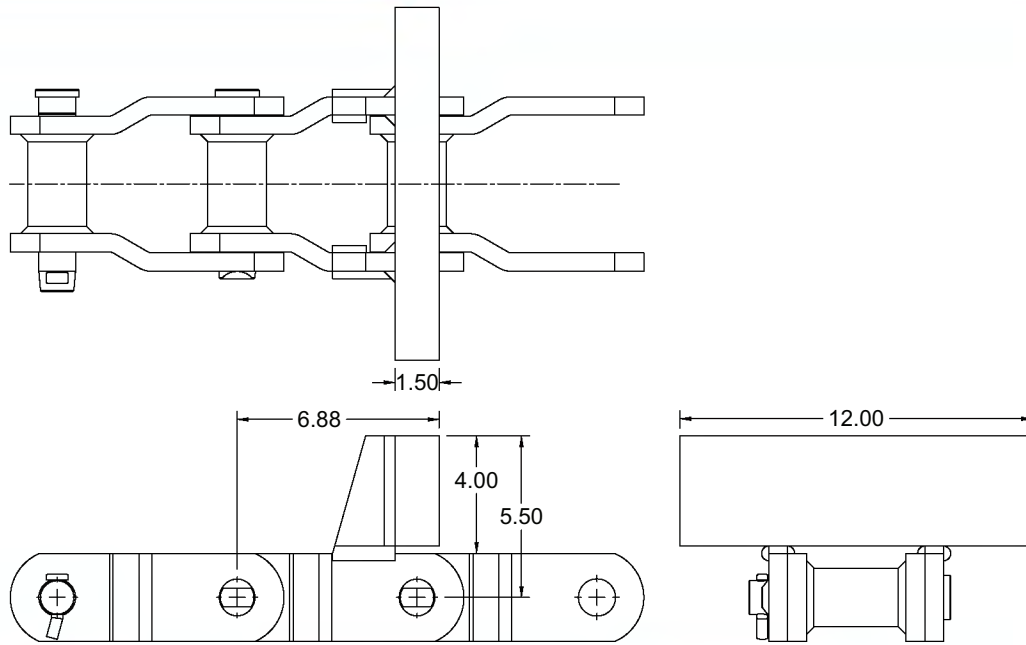


ATTACHMENT SPACING		1L		2L		3L		4L		5L		>5L	
TSUBAKI® PART #	PIN TYPE	Cottered	Riveted	Cottered	Riveted	Cottered	Riveted	Cottered	Riveted	Cottered	Riveted	Cottered	Riveted
	UNION® PART #	STAINLESS	28363	28365	28367	28369	28371	28373	28375	28377	28379	28381	Call Us
CARBON		28362	28364	28366	28368	28370	28372	28374	28376	28378	28380	Call Us	Call Us

WHX-155 / WHX-159 WELDED STEEL MILL SERIES CHAINS

### WHX-159 CHAIN - RF-121 ATTACHMENT

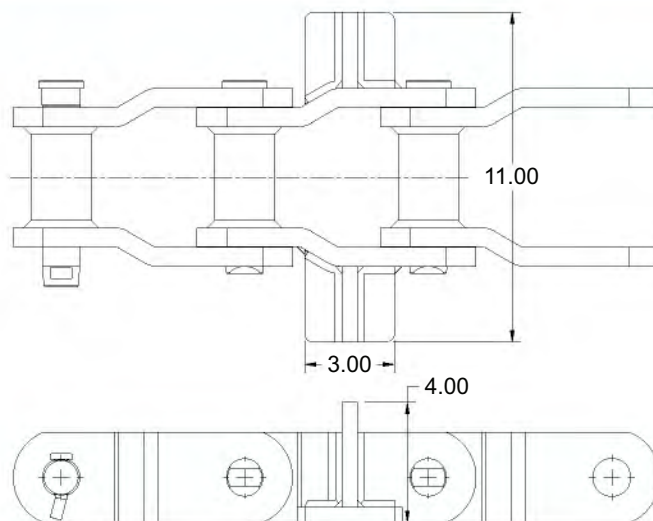
Weight 1L (lbs/ft): **67.77**



ATTACHMENT SPACING		1L		2L		3L		4L		5L		>5L	
	PIN TYPE	Cottered	Riveted	Cottered	Riveted	Cottered	Riveted	Cottered	Riveted	Cottered	Riveted	Cottered	Riveted
TSUBAKI® PART #	STAINLESS	28383	28385	28387	28389	28391	28393	28395	28397	28399	28401	Call Us	Call Us
	CARBON	28382	28384	28386	28388	28390	28392	28394	28396	28398	28400	Call Us	Call Us

### WHX-159 CHAIN - A-STYLE LOG CRADLE ATTACHMENT

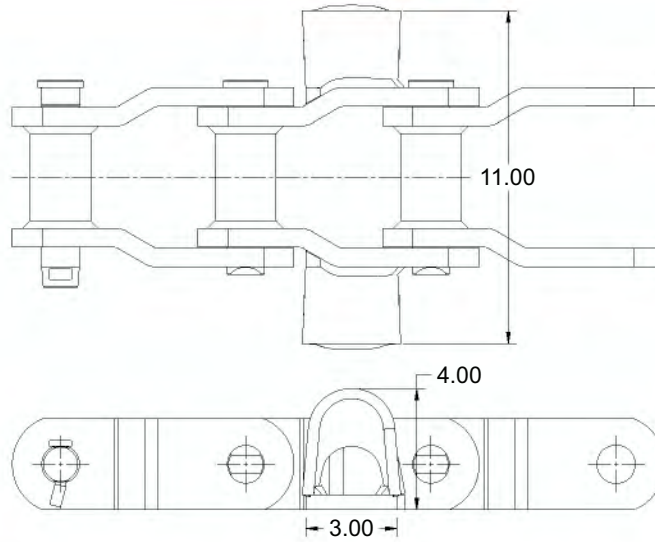
Weight 1L (lbs/ft): **34.80**



ATTACHMENT SPACING		1L		2L		3L		4L		5L		>5L	
	PIN TYPE	Cottered	Riveted	Cottered	Riveted	Cottered	Riveted	Cottered	Riveted	Cottered	Riveted	Cottered	Riveted
TSUBAKI® PART #	STAINLESS	28403	28405	28407	28409	28411	28413	28415	28417	28419	28421	Call Us	Call Us
	CARBON	28402	28404	28406	28408	28410	28412	28414	28416	28418	28420	Call Us	Call Us

## WHX-159 CHAIN - C-STYLE LOG CRADLE ATTACHMENT

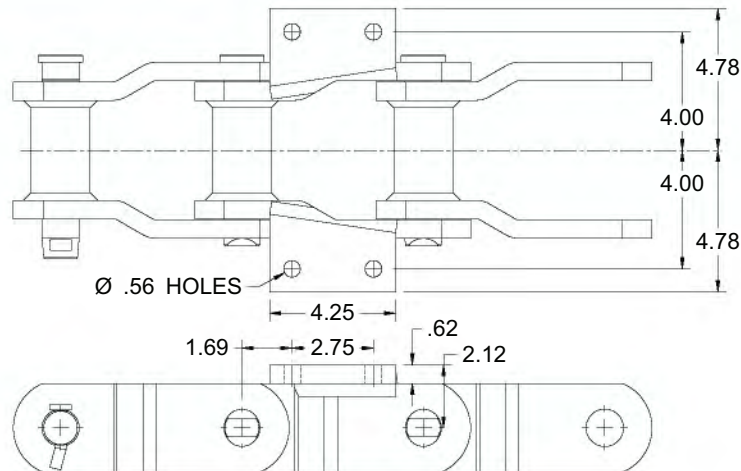
Weight 1L (lbs/ft): **37.20**



ATTACHMENT SPACING		1L		2L		3L		4L		5L		>5L	
PIN TYPE		Cottered	Riveted	Cottered	Riveted	Cottered	Riveted	Cottered	Riveted	Cottered	Riveted	Cottered	Riveted
<b>TSUBAKI</b> PART #	STAINLESS	28423	28425	28427	28429	28431	28433	28435	28437	28439	28441	Call Us	Call Us
	CARBON	28422	28424	28426	28428	28430	28432	28434	28436	28438	28440	Call Us	Call Us

## WHX-159 CHAIN - K2 ATTACHMENT

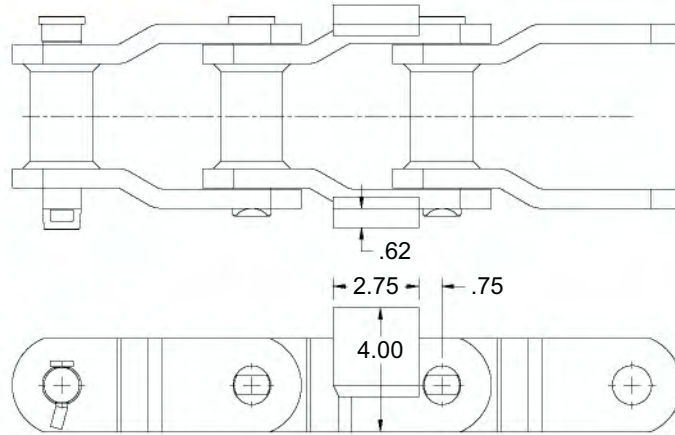
Weight 1L (lbs/ft): **31.91**



ATTACHMENT SPACING		1L		2L		3L		4L		5L		>5L	
PIN TYPE		Cottered	Riveted	Cottered	Riveted	Cottered	Riveted	Cottered	Riveted	Cottered	Riveted	Cottered	Riveted
<b>TSUBAKI</b> PART #	STAINLESS	28443	28445	28447	28449	28451	28453	28455	28457	28459	28461	Call Us	Call Us
	CARBON	28442	28444	28446	28448	28450	28452	28454	28456	28458	28460	Call Us	Call Us

**WHX-159 CHAIN - M ATTACHMENT**

Weight 1L (lbs/ft): **30.08**



ATTACHMENT SPACING		1L		2L		3L		4L		5L		>5L	
PIN TYPE		Cottered	Riveted	Cottered	Riveted	Cottered	Riveted	Cottered	Riveted	Cottered	Riveted	Cottered	Riveted
<b>TSUBAKI</b> PART #	STAINLESS	28463	28465	28467	28469	28471	28473	28475	28477	28479	28481	Call Us	Call Us
	CARBON	28462	28464	28466	28468	28470	28472	28474	28476	28478	28480	Call Us	Call Us



*Don't see what you need? Call us at 1-800-323-7790 and we will make it!*

# WELDED STEEL MILL CHAINS

## WHX-2855 CHAIN

6.050" PITCH

Average Ultimate Strength: 175,000 lbs

Max Working Load: 20,250 lbs

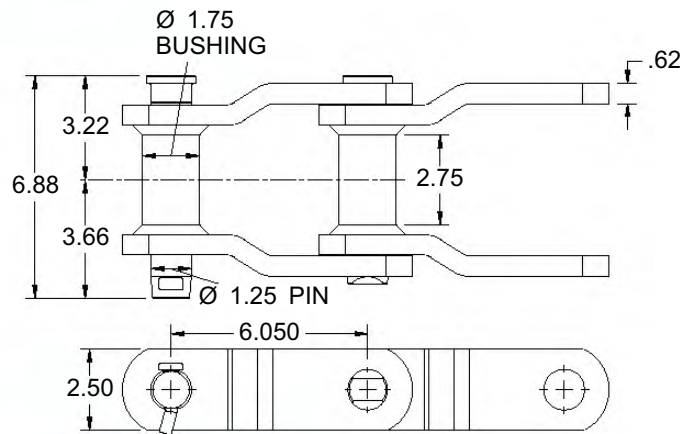
Pitches Per Foot: 1.98

Upgrades Available:



### WHX-2855 CHAIN - PLAIN

Weight 1L (lbs/ft): 20.00



PIN TYPE	PLAIN CHAIN - CARBON		PLAIN CHAIN - STAINLESS	
	Cottered	Riveted	Cottered	Riveted
TSUBAKI® PART #	28483	28484	28485	28486

WHX-159 / WHX-2855 WELDED STEEL MILL SERIES CHAINS

WELDED STEEL MILL CHAINS  
**WHX-3855 CHAIN**

6.050" PITCH

Average Ultimate Strength: 200,000 lbs

Max Working Load: 20,250 lbs

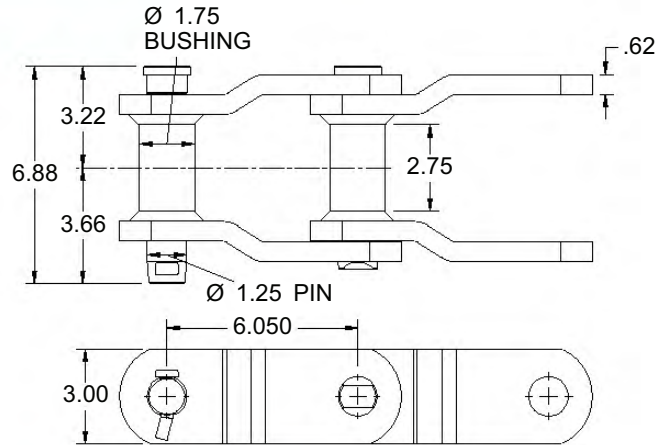
Pitches Per Foot: 1.98

Upgrades Available:



**WHX-3855 CHAIN - PLAIN**

Weight (lbs/ft): **22.00**



PIN TYPE	PLAIN CHAIN - CARBON		PLAIN CHAIN - STAINLESS	
	Cottered	Riveted	Cottered	Riveted
<b>TSUBAKI®</b> PART #	28487	28488	28489	28490

Don't see what you need? Call us at 1-800-323-7790 and we will make it!



# WELDED STEEL MILL CHAINS

## WHX-4855 CHAIN

12.000" PITCH

Average Ultimate Strength: 175,000 lbs

Max Working Load: 20,250 lbs

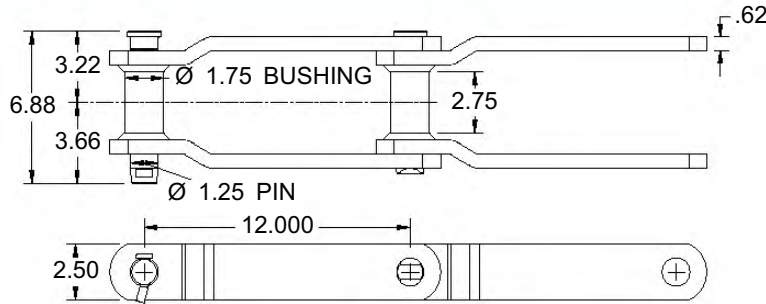
Pitches Per Foot: 1.00

Upgrades Available:



### WHX-4855 CHAIN - PLAIN

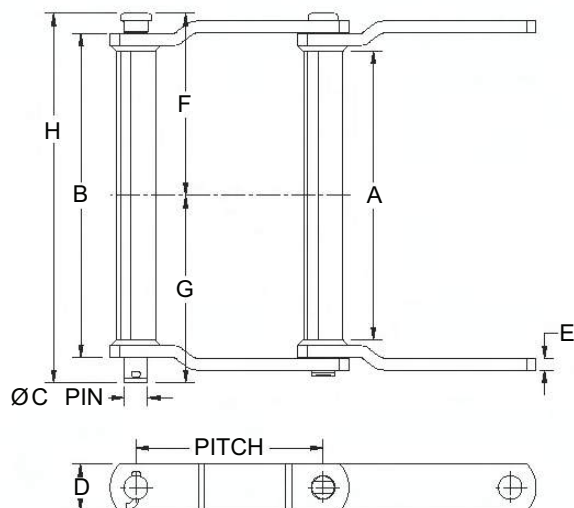
Weight (lbs/ft): **22.00**



PIN TYPE	PLAIN CHAIN - CARBON		PLAIN CHAIN - STAINLESS	
	Cottered	Riveted	Cottered	Riveted
TSUBAKI® PART #	28491	28492	28493	28494

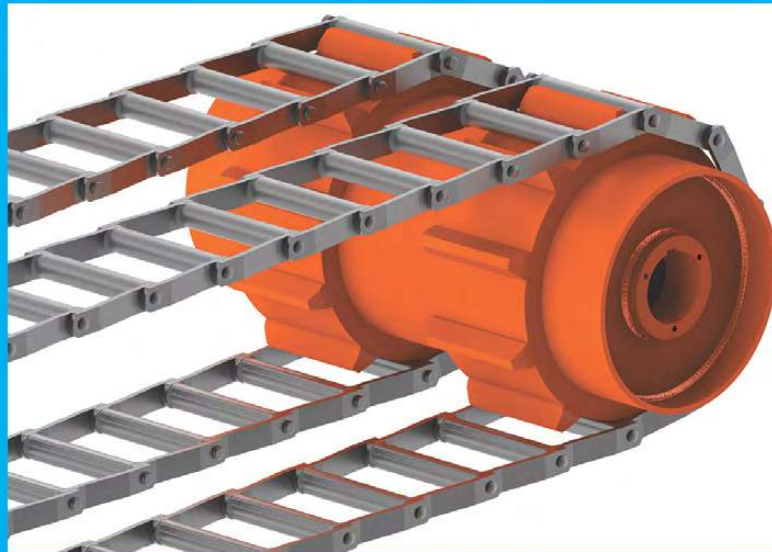
WHX-3855 / WHX-4855 WELDED STEEL MILL SERIES CHAINS

# Welded Steel Drag Series Chains



Chain Number	Pitch	Attachment Detail	Dimensions								AUS (lbs.)	Max Working Load (lbs.)
			Inside Width	Length of Bearing	Pin Diameter	Sidebar Height	Sidebar Thick	Pin Head to CL	Pin End to CL	Overall Width		
			A	B	C	D	E	F	G	H		
WDH-110	6.000	See page 235	9.25	10.38	0.75	1.50	0.38	5.84	6.00	11.84	90,000	15,000
WDH-480	8.000	See page 237	11.25	12.75	0.88	2.00	0.50	7.22	7.53	14.75	90,000	15,000
WDH-580	8.000	See page 240	11.25	12.75	1.00	2.00	0.50	7.22	7.53	14.75	116,000	19,000

**Custom Drum  
Sprockets  
Available -  
See Page 256**



Don't see what you need? Call us at 1-800-323-7790 and we will make it!

# WELDED STEEL DRAG CHAINS

## WDH-110 CHAIN

6.000" PITCH

Average Ultimate Strength: 60,000 lbs

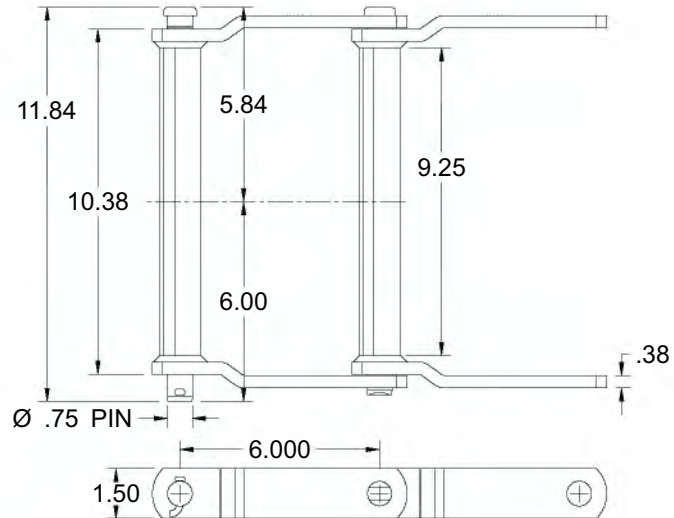
Max Working Load: 10,000 lbs

Pitches Per Foot: 2.00



### WDH-110 CHAIN - PLAIN

Weight (lbs/ft): 12.00



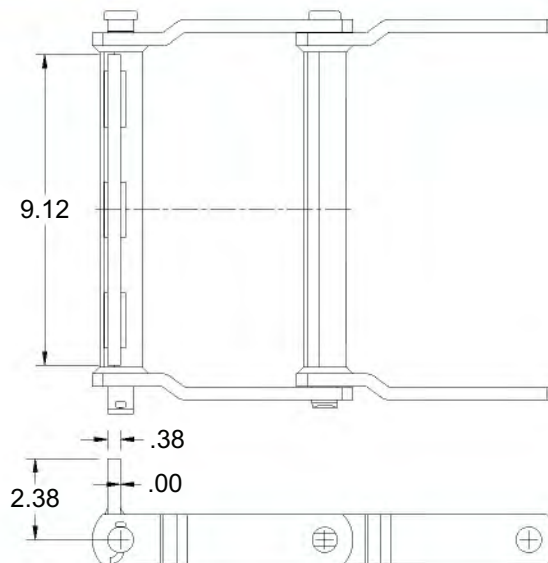
#### PLAIN CHAIN - CARBON

PIN TYPE Riveted

UNION PART # WDH110R

### WDH-110 CHAIN - C1 ATTACHMENT

Weight 1L (lbs/ft): 15.20



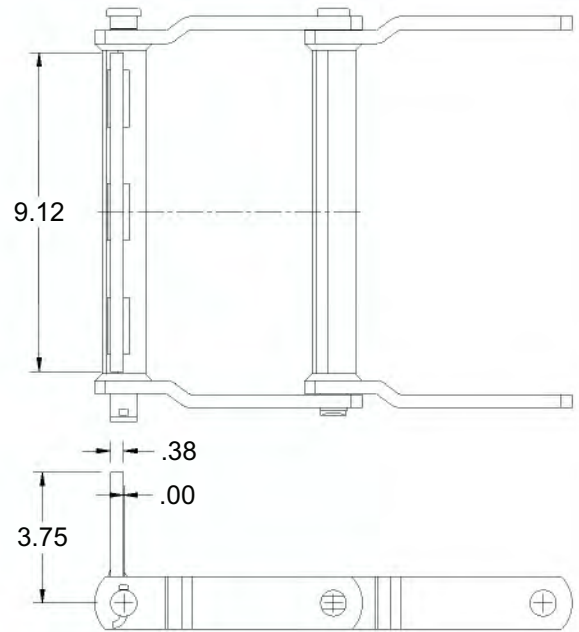
#### ATTACHMENT SPACING

	1L	2L	3L	4L	5L	>5L
PIN TYPE	Riveted	Riveted	Riveted	Riveted	Riveted	Riveted
UNION PART #	28501	28502	28503	28504	28505	Call Us

WDH-110 WELDED STEEL DRAG SERIES CHAINS

## WDH-110 CHAIN - C4 ATTACHMENT

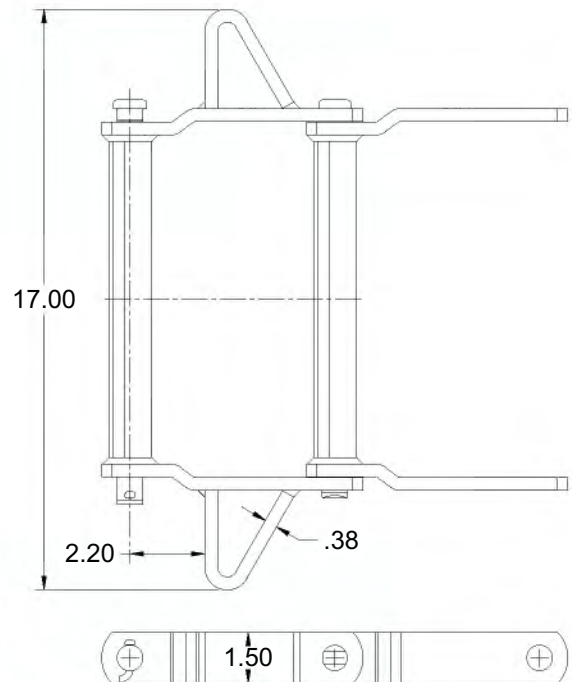
Weight 1L (lbs/ft): **17.90**



ATTACHMENT SPACING	1L	2L	3L	4L	5L	>5L
PIN TYPE	Riveted	Riveted	Riveted	Riveted	Riveted	Riveted
UNION® PART #	28506	28507	28508	28509	28510	Call Us

## WDH-110 CHAIN - FOLDED WING ATTACHMENT

Weight 1L (lbs/ft): **16.00**



ATTACHMENT SPACING	1L	2L	3L	4L	5L	>5L
PIN TYPE	Riveted	Riveted	Riveted	Riveted	Riveted	Riveted
UNION® PART #	19570	23620	24852	23831	24642	Call Us

*Cottered Construction available upon request.*

*Don't see what you need? Call us at 1-800-323-7790 and we will make it!*

# WELDED STEEL DRAG CHAINS

## WDH-480 CHAIN

8.000" PITCH

Average Ultimate Strength: 90,000 lbs

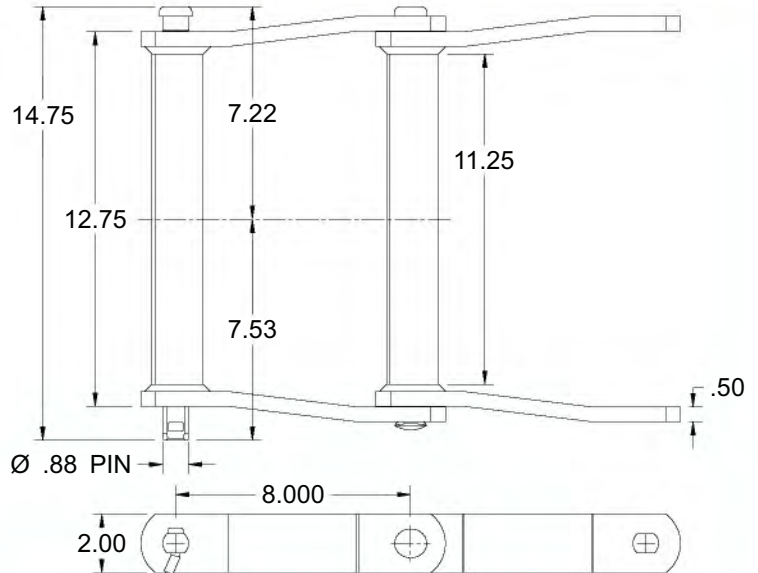
Max Working Load: 15,000 lbs

Pitches Per Foot: 1.50



### WDH-480 CHAIN - PLAIN

Weight (lbs/ft): 18.10



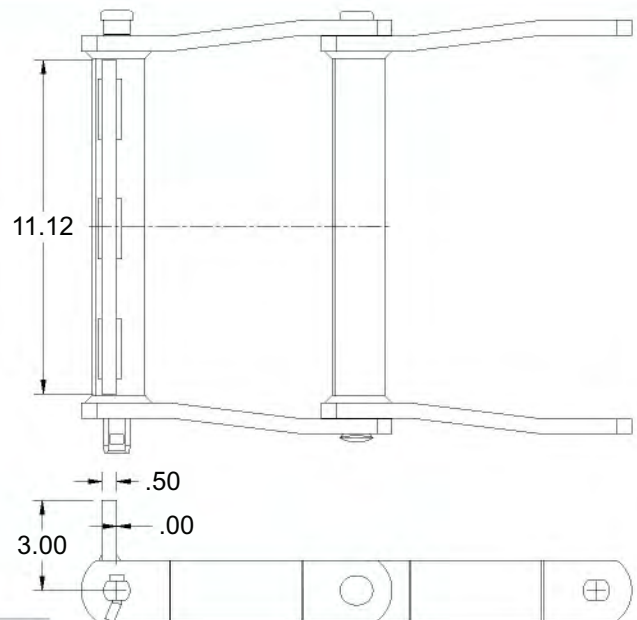
#### PLAIN CHAIN - CARBON

PIN TYPE Riveted

UNION PART # WDH480R

### WDH-480 CHAIN - C3 ATTACHMENT

Weight 1L (lbs/ft): 24.30



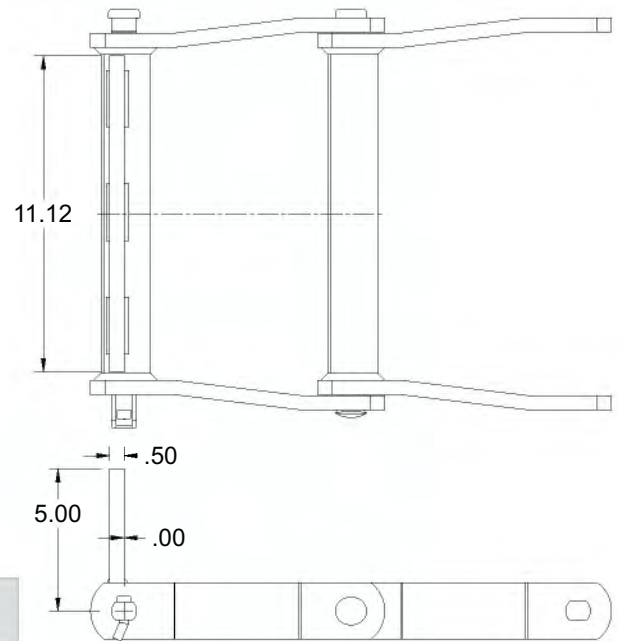
ATTACHMENT SPACING	1L	2L	3L	4L	5L	>5L
PIN TYPE	Riveted	Riveted	Riveted	Riveted	Riveted	Riveted
UNION® PART #	28511	28512	28513	28514	28515	Call Us

*Cottered Construction available upon request.*

07.2019

**WDH-480 CHAIN - C4 ATTACHMENT**

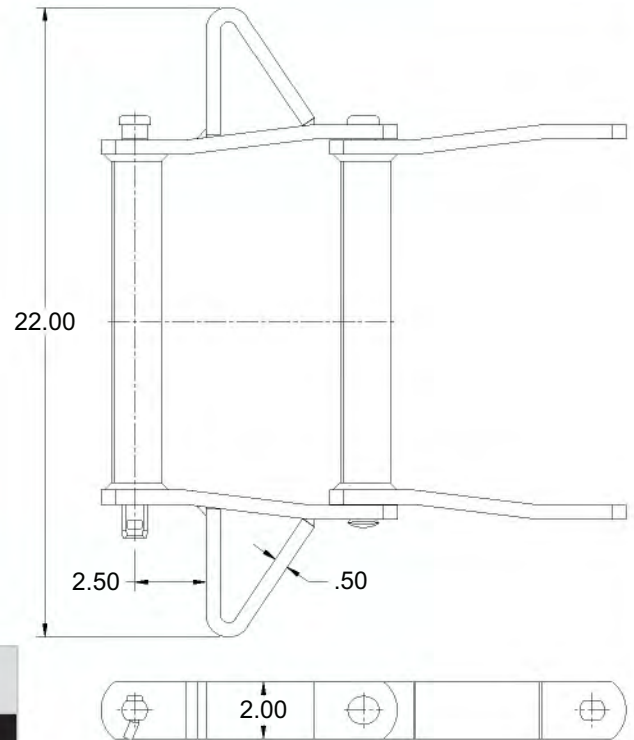
Weight 1L (lbs/ft): **29.00**



ATTACHMENT SPACING	1L	2L	3L	4L	5L	>5L
PIN TYPE	Riveted	Riveted	Riveted	Riveted	Riveted	Riveted
UNION® PART #	28522	28523	28524	28525	28526	Call Us

**WDH-480 CHAIN - FOLDED WING ATTACHMENT**

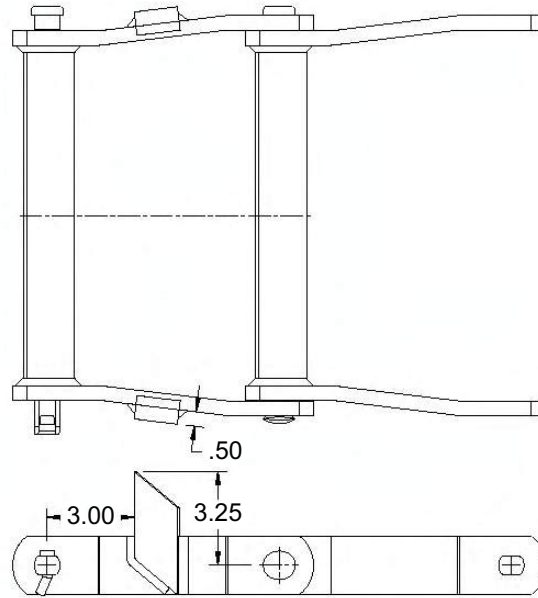
Weight 1L (lbs/ft): **27.50**



ATTACHMENT SPACING	1L	2L	3L	4L	5L	>5L
PIN TYPE	Riveted	Riveted	Riveted	Riveted	Riveted	Riveted
UNION® PART #	28516	28517	28518	28519	28520	Call Us

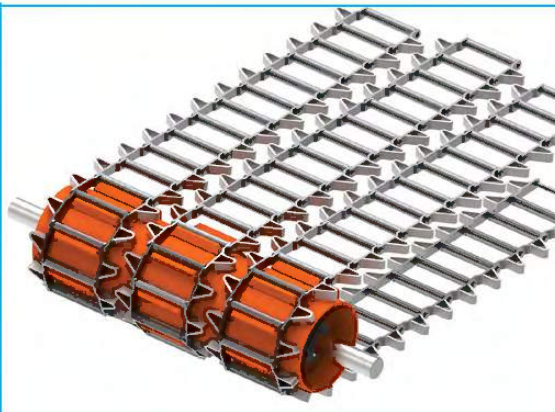
*Cottered Construction available upon request.*

*Don't see what you need? Call us at 1-800-323-7790 and we will make it!*



ATTACHMENT SPACING	1L	2L	3L	4L	5L	>5L
PIN TYPE	Riveted	Riveted	Riveted	Riveted	Riveted	Riveted
UNION® PART #	28527	28528	28529	28530	28531	Call Us

*Custom Drum Assemblies Available - See Page 256*



*Cottered Construction available upon request.*

# WELDED STEEL DRAG CHAINS

## WDH-580 CHAIN

8.000" PITCH

Average Ultimate Strength: 116,000 lbs  
 Max Working Load: 19,000 lbs  
 Pitches Per Foot: 1.50



<b>WDH-580 CHAIN - PLAIN</b>	Weight (lbs/ft): <b>20.50</b>
------------------------------	-------------------------------

<b>PLAIN CHAIN - CARBON</b>	
PIN TYPE	Riveted
UNION PART #	WDH580R

<b>WDH-580 CHAIN - C3 ATTACHMENT</b>							Weight 1L (lbs/ft): <b>25.30</b>
--------------------------------------	--	--	--	--	--	--	----------------------------------

ATTACHMENT SPACING	1L	2L	3L	4L	5L	>5L
PIN TYPE	Riveted	Riveted	Riveted	Riveted	Riveted	Riveted
UNION PART #	28532	28533	28534	28535	28536	Call Us

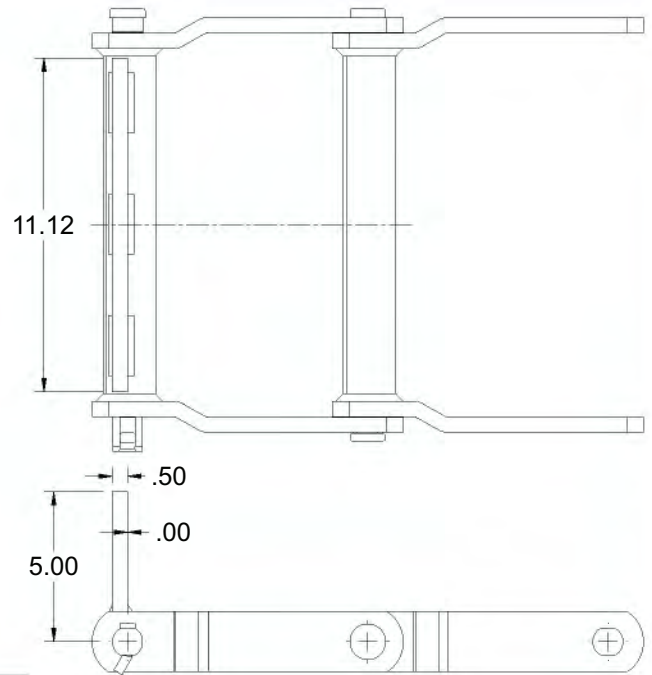
*Cottered Construction available upon request.*

*Don't see what you need? Call us at 1-800-323-7790 and we will make it!*



**WDH-580 CHAIN - C4 ATTACHMENT**

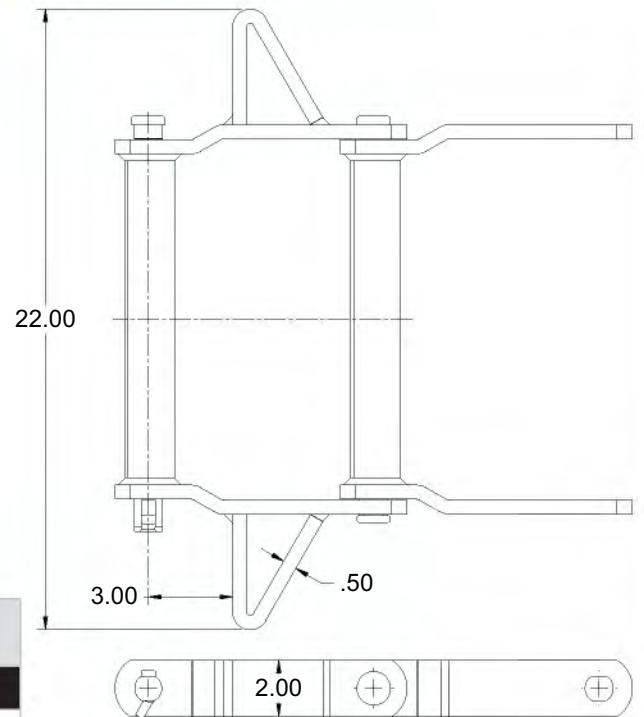
Weight 1L (lbs/ft): **30.10**



ATTACHMENT SPACING	1L	2L	3L	4L	5L	>5L
PIN TYPE	Riveted	Riveted	Riveted	Riveted	Riveted	Riveted
UNION® PART #	28542	28543	28544	28545	28546	Call Us

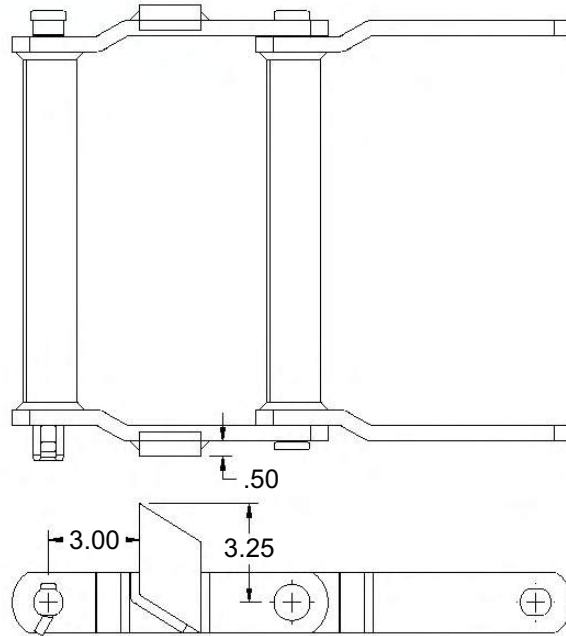
**WDH-580 CHAIN - 22" FOLDED WING ATTACHMENT**

Weight 1L (lbs/ft): **27.90**



ATTACHMENT SPACING	1L	2L	3L	4L	5L	>5L
PIN TYPE	Riveted	Riveted	Riveted	Riveted	Riveted	Riveted
UNION® PART #	28537	28538	28539	28540	28541	Call Us

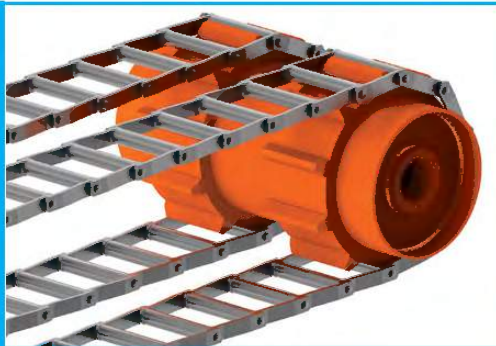
*Cottered Construction available upon request.*



ATTACHMENT SPACING	1L	2L	3L	4L	5L	>5L
PIN TYPE	Riveted	Riveted	Riveted	Riveted	Riveted	Riveted
UNION® PART #	28547	28548	28549	28550	28551	Call Us

*Cottered Construction available upon request.*

**Custom Drum Sprockets Available - See Page 256**



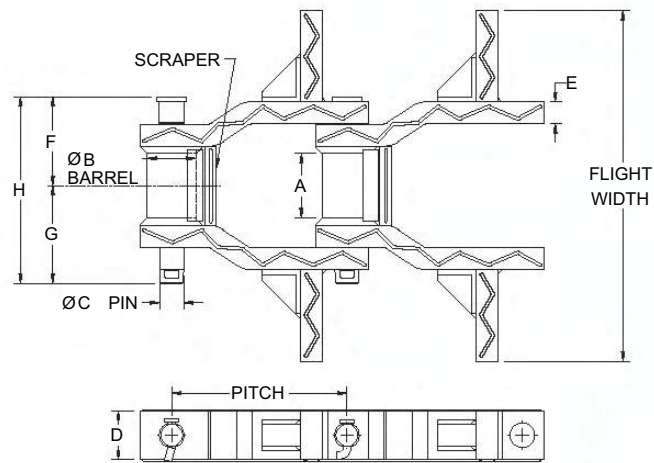
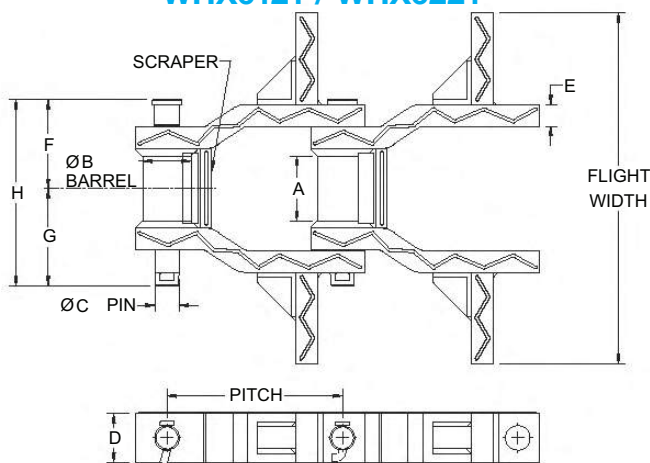
# Heavy Duty Hard Face (HDHF) Series Chains



WHX5157 / WHX6067 / WHX6267  
WHX6121 / WHX6221



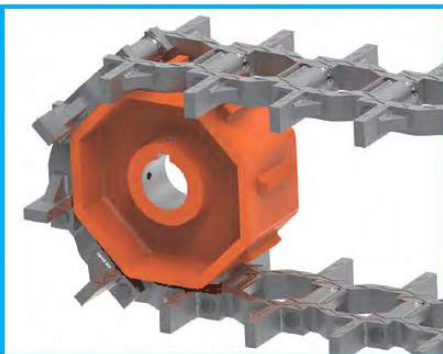
WHX5121 / WHX5221



Chain runs closed end forward

Chain Number	Pitch	Common Flight Width Range	Dimensions								AUS (lbs.)	Max Working Load (lbs.)
			Between Welds	Barrel Diameter	Pin Diameter	Sidebar Height	Sidebar Thick	Pin Head to CL	Pin End to CL	Overall Width		
			A	B	C	D	E	F	G	H		
WHX5157	6.050	8-21	3.00	1.75	1.13	2.50	0.63	3.22	3.66	6.87	190,500	18,300
WHX6067	9.000	10-24	3.63	2.50	1.25	2.50	0.75	3.81	4.25	8.06	213,000	24,500
WHX6267	9.000	10-20	3.63	2.50	1.38	2.50	0.75	3.81	4.25	8.06	193,000	27,000
WHX5121	9.000	10-30	3.63	2.50	1.25	2.50	1.13	4.56	5.00	9.56	245,000	27,600
WHX5221	9.000	10-30	3.63	2.50	1.38	2.50	1.13	4.57	5.01	9.58	215,000	30,400
WHX6121	9.000	10-30	3.63	2.50	1.25	2.50	1.13	4.56	5.00	9.56	245,000	27,600
WHX6221	9.000	10-30	3.63	2.25	1.38	2.50	1.13	4.57	5.01	9.58	215,000	30,400

See Page 256  
for  
Mating  
Sprockets



## Items Needed to Order a HDHF Drag Chain:

- Chain Number
- Flight Width (inches)
- Flight Spacing (1L, 2L, etc.)



# Apron Conveyor Chain Assemblies

## PREMIUM TSUBAKI® APRON CONVEYOR CHAIN ASSEMBLIES

- Tsubaki maintains an industry leading portfolio of apron conveyor chain assemblies.
- Direct drop in replacements are available for virtually any bulk material OEM conveyor system.
- Tsubaki apron designs are uniquely engineered to mitigate leakage and in turn optimize throughput.
- Numerous standard and upgraded roller designs available, including numerous bearing types and/or lube ports.
- Conveyor apron assemblies are tailored based on the inclination of the system and the size, weight, fragility and temperature of the product being transferred.
- Full design and engineering resources are available to assist with proper selection, issue resolution and potential optimization/enhancement.



## COMMON INDUSTRIES



INDUSTRIAL  
MINERALS



MINING



CEMENT



GRAIN



FERTILIZER

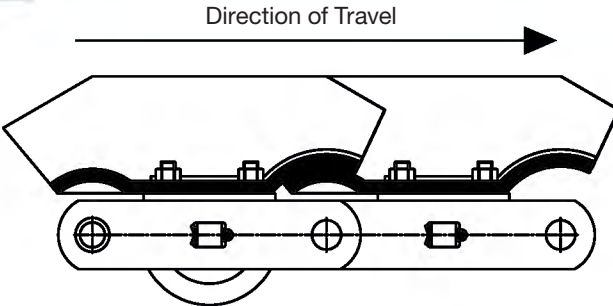
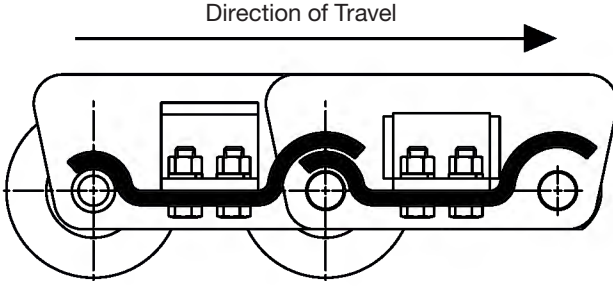
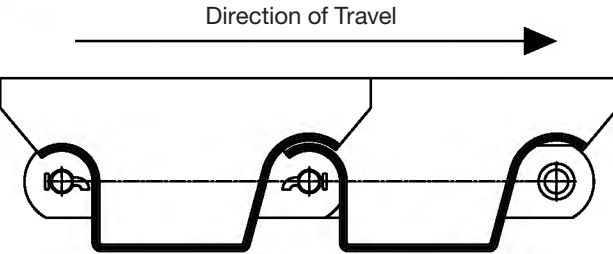
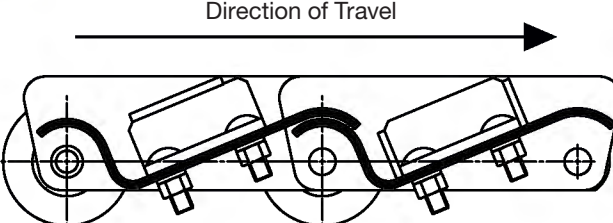


SUGAR  
PROCESSING

Don't see what you need? Call us at 1-800-323-7790 and we will make it!

## APRON STYLE

## APRON STYLE DETAILS

<p><b>A</b></p> 	<ul style="list-style-type: none"> <li>• Adaptable to most pitch sizes</li> <li>• Pan bottoms are above the chain pitch centerline.</li> <li>• Most widely used on horizontal and incline applications up to 35 degrees.</li> <li>• Double beaded pans resist leakage.</li> <li>• Commonly used with A and K style chain attachments.</li> <li>• Optional outboard rollers available to carry heavier loads and reduce maintenance costs.</li> <li>• Ideal for fine or hot materials.</li> </ul>
<p><b>B</b></p> 	<ul style="list-style-type: none"> <li>• Generally used with larger pitch sizes (&gt;8") and heavier loads/capacities.</li> <li>• Pan bottoms are typically below the chain pitch centerline.</li> <li>• Able to withstand reasonable impacts from larger material clumps.</li> <li>• Often used on incline applications up to 35 degrees.</li> <li>• Deep double beaded pans offer a rigid heavy duty platform allowing for greater conveyor widths.</li> <li>• Optional outboard rollers available to carry heavier loads and reduce maintenance costs.</li> <li>• Through rods and load deflection rails are options for the more extreme conditions.</li> <li>• Ideal for heavy materials of various temperatures.</li> </ul>
<p><b>C</b></p> 	<ul style="list-style-type: none"> <li>• Pan bottoms formed extra deep, well below the chain centerline.</li> <li>• Extra Deep pans allow for higher capacity transports up steep slopes.</li> <li>• Deep double beaded pans offer a rigid heavy duty platform allowing for greater conveyor widths.</li> <li>• Optional outboard rollers available to carry heavier loads and reduce maintenance costs.</li> <li>• Through rods and load deflection rails are options for the more extreme conditions.</li> <li>• Ideal for heavy materials of various temperatures.</li> </ul>
<p><b>D</b></p> 	<ul style="list-style-type: none"> <li>• Single bead pans are ideal for inclined positive discharge systems.</li> <li>• Typically utilized for inclined systems up to 35 degrees.</li> <li>• Angular apron configuration helps resist rollback of material.</li> <li>• G attachments are common.</li> <li>• Outboard rollers available.</li> <li>• Smooth, gentle discharge - ideal for transporting fragile materials.</li> </ul>

# Buckets & Bucket Assemblies

## PREMIUM TSUBAKI® BUCKETS

- Tsubaki maintains a market leading portfolio of cast, fabricated and polymeric buckets
- Standard and full custom designs available to fit virtually any OEM system.
- Metallic buckets typically produced in Carbon Steel, Stainless Steel, AR or Ductile Iron
- Polymer buckets are available in Nylon, Urethane, Polyethylene or FDA Nylon
- Full design and engineering resources are available to assist with proper selection, issue resolution and potential optimization/enhancement.

## TSUBAKI® CHAIN AND BUCKET ASSEMBLIES

- Tsubaki will securely fasten buckets to the chain at the factory to assure proper fit and in turn save installation time and money in the field.
- Assemblies typically ship in 10 foot, palletized strands, but custom options/packageing available upon request.



## TYPICAL APPLICATIONS

- Bucket Elevators
- Incline Elevators/Conveyors

## COMMON INDUSTRIES

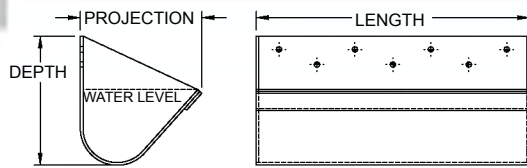


Don't see what you need? Call us at 1-800-323-7790 and we will make it!

## BUCKET STYLE

## BUCKET DETAILS

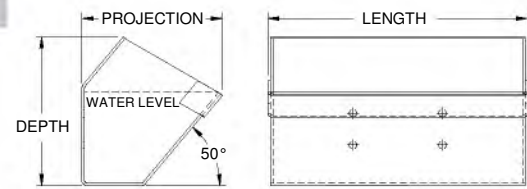
**AA**



MOUNTING HOLES & VENTING TO YOUR SPECIFICATION

- Employed in tough and abrasive Centrifugal-Discharge Systems/ Applications.
- Integral Wear Lip design for enhanced wear performance.
- Most commonly supplied in Ductile Iron or a Polymeric.
- Polymeric designs allow for lighter chain loading and cleaner discharge.

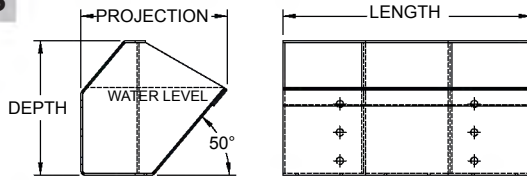
**AC**



MOUNTING HOLES & VENTING TO YOUR SPECIFICATION

- High front/hooded back for maximum capacity and close spacing.
- Common in Centrifugal-Discharge Systems.
- Often utilized in Cement, Fertilizer and Industrial Minerals.
- Bearing Plates, Backing Plates.
- Carbon steel construction. Stainless steel and aluminum construction available.

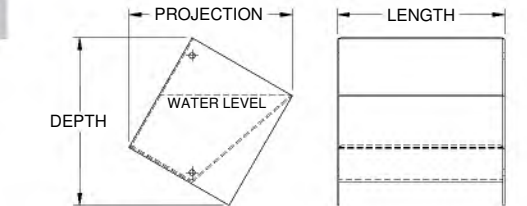
**ACS**



MOUNTING HOLES & VENTING TO YOUR SPECIFICATION

- Classic saddle bag design.
- Utilized in Centrifugal-Discharge Systems to minimize projection and optimize capacity.
- High front/hooded back for maximum capacity and close spacing.
- Bearing plates and center braces are typically standard.
- Often utilized in Finish Cement, Fertilizer and Free-Flowing Minerals.
- Carbon steel construction. Stainless steel and aluminum construction available.
- Common options: AR Plate Construction, Wear Lips, Hardfacing, Vent Holes.

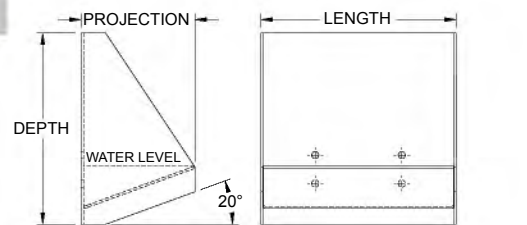
**SC**



MOUNTING HOLES & VENTING TO YOUR SPECIFICATION

- Utilized in Dual-Strand Gravity-Discharge systems.
- Engineered for super capacity. elevators moving heavy materials.
- Capable of carrying larger lumps/ chunks of product.
- Most often utilized in the Cement and Aggregate segments.
- Carbon steel construction. Stainless steel and aluminum construction available.
- Common options: AR Plate Construction, Wear Lips, Hardfacing, Vent Holes, Center Braces, Bearing Plates, Backing Plates.

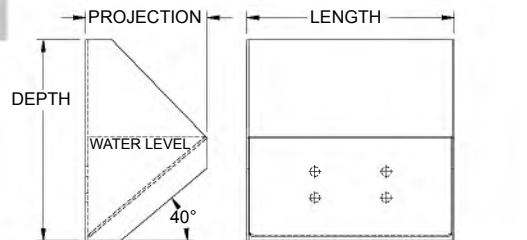
**LF**



MOUNTING HOLES & VENTING TO YOUR SPECIFICATION

- Typically mounted on inclined elevators or conveyors.
- Effective with wet or dry materials.
- Most often utilized in the Cement and Aggregate segments.
- Carbon steel construction. Stainless steel and aluminum construction available.
- Common options: AR Plate Construction, Wear Lips, Hardfacing, Vent Holes, Center Braces, Bearing Plates, Backing Plates.

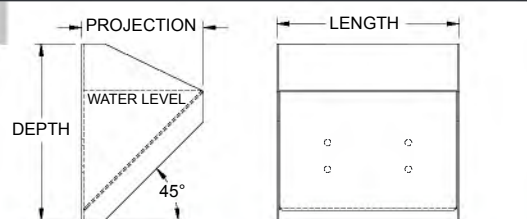
**MF**



MOUNTING HOLES & VENTING TO YOUR SPECIFICATION

- Utilized in gravity-discharge systems in Cement, Fertilizer and Industrial Minerals.
- Carbon steel construction. Stainless steel and aluminum construction available.
- Common Options: AR Plate Construction, Wear Lips, Hardfacing, Vent Holes, Center Braces, Bearing Plates, Backing Plates.

**HF**



MOUNTING HOLES & VENTING TO YOUR SPECIFICATION

- High Front panel to boost capacity and efficiency in gravity-discharge systems.
- Designed to mitigate damage to material being transferred.
- Often utilized in Cement, Fertilizer and Industrial Minerals.
- Carbon steel construction. Stainless steel and aluminum construction available.
- Common Options: AR Plate Construction, Wear Lips, Hardfacing, Vent Holes, Center Braces, Bearing Plates, Backing Plates.

# Drag Chain Assemblies

## CUSTOM DRAG CHAIN ASSEMBLIES FROM TSUBAKI®

- Tsubaki proudly offers an extensive portfolio of custom, Made-to-Order drag chain assemblies.
- Designed to drop in to virtually any OEM piece of equipment.
- Base chains are typically carbon steel, stainless steel or a combination of both.
- Flat bar, angle iron, or customer specified wing attachments are available.
- Paddles are typically premium grade UHMW - available in numerous grades and colors.
- High temperature UHMW paddles available.

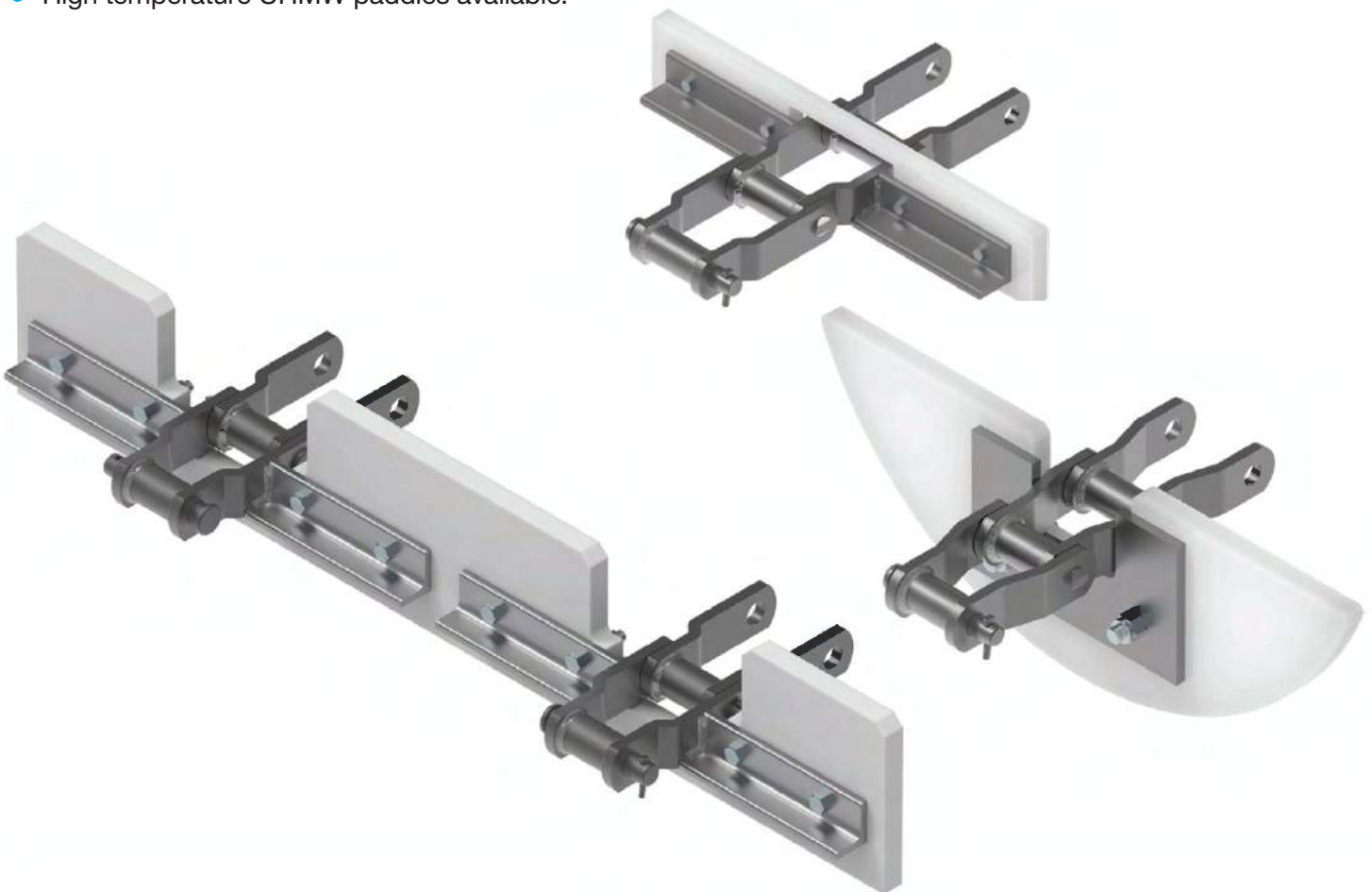
## DRAG CHAIN QUOTATION PROCESS

- Tsubaki's Drag Chain Assembly quotation process is as easy as 1, 2, 3 using the forms on the following pages:

**Step 1: Identify the Base Chain**

**Step 2: Identify Attachment Style, Spacing and Size**

**Step 3: Detail the UHMW Paddle Size and Type**



Don't see what you need? Call us at 1-800-323-7790 and we will make it!



# Step 1: Base Chain Identification

Surveyor

Title/Company



Date

## CONVEYOR INFORMATION

Conveyor ID

Conveyor Manufacturer

Model Number

Serial Number

MFG Drawing Number

## TROUGH DIMENSIONS

Trough Width (in inches)

Trough Height (in inches)

## CHAIN INFORMATION

Chain Length (in feet)

Base Chain Type  
(ex. WHX-132, 81-X, etc.)

Material:  Carbon  Stainless  Combo

Pin Style (rivet/cotter)

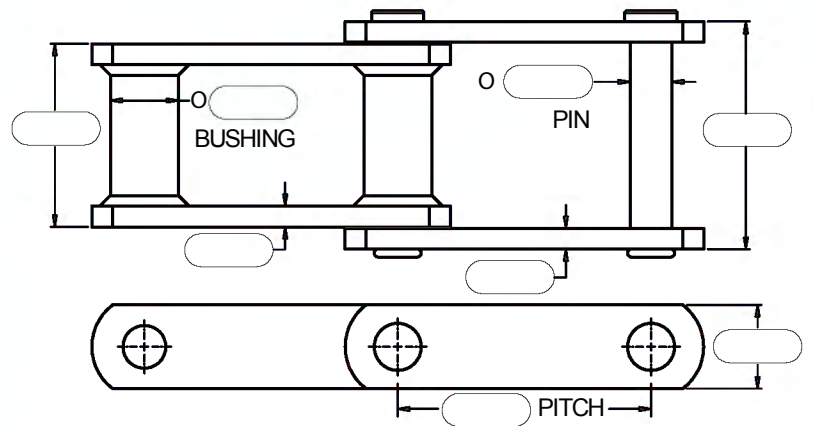
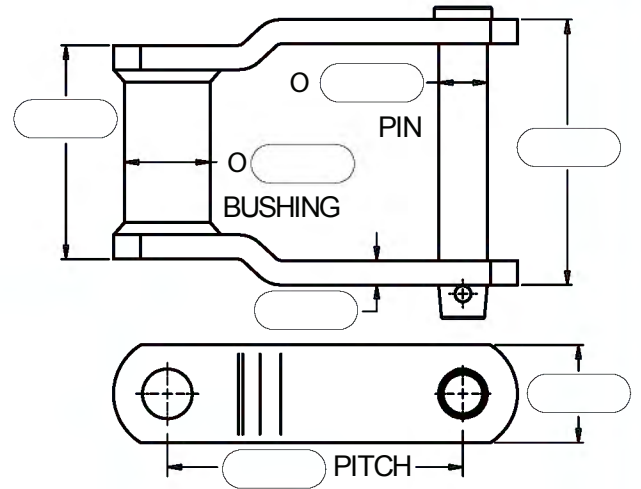
Paddle Style  
(see paddle sheet)  Plain  Wiper  Rounded

Paddle Spacing

Number of Strands of Chain

Multi-Strand Centers

- OFFSET SIDEBAR STYLE
- STRAIGHT SIDEBAR STYLE



### Notes

# Step 2: Wing Attachment Details

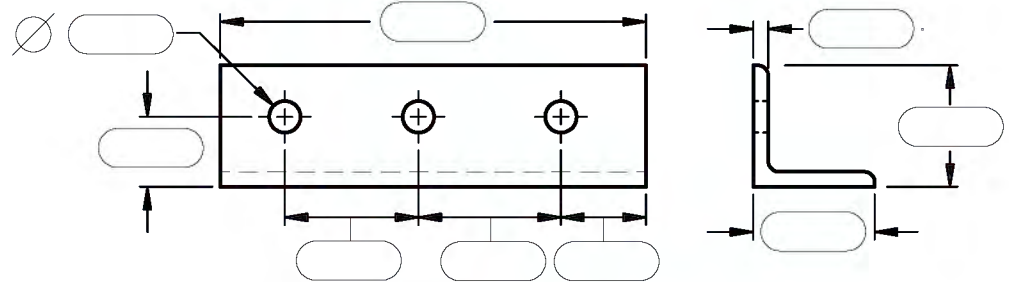
Surveyor

Title/Company

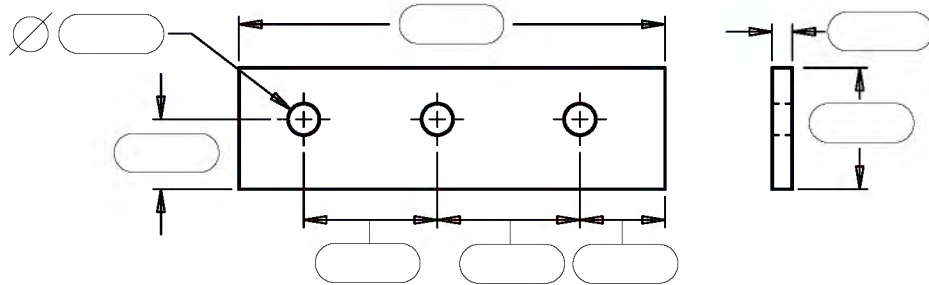


Date

## ANGLE ATTACHMENT



## FLAT BAR ATTACHMENT



## OTHER

Notes

Blank area for notes.

# Step 3: Paddle Details

Surveyor

Title/Company



Date

## PADDLES

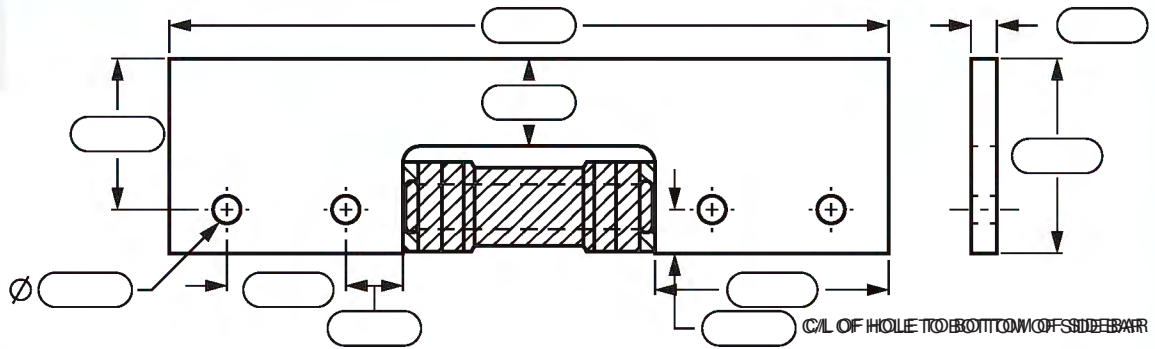
Material

Application Temperature

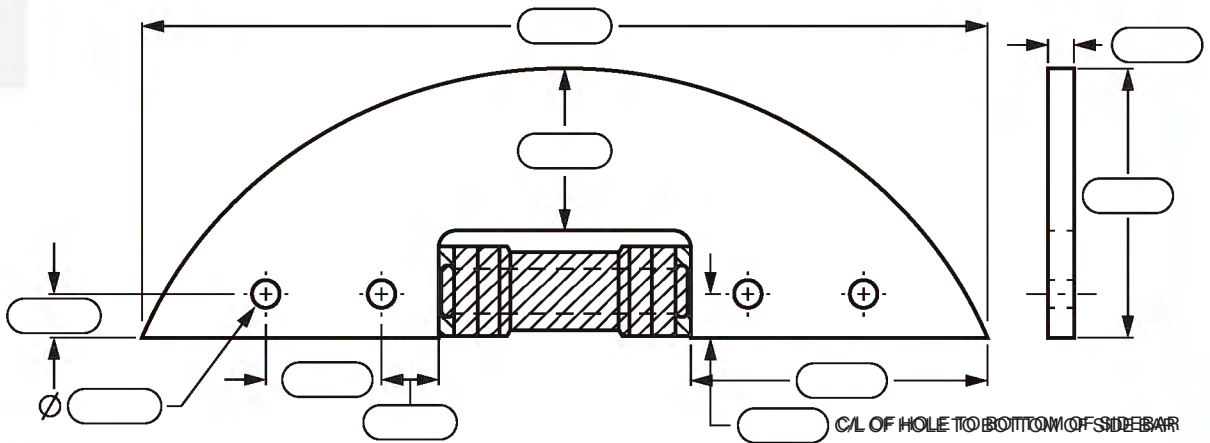
☐ Degrees C  
☐ Degrees F

Color

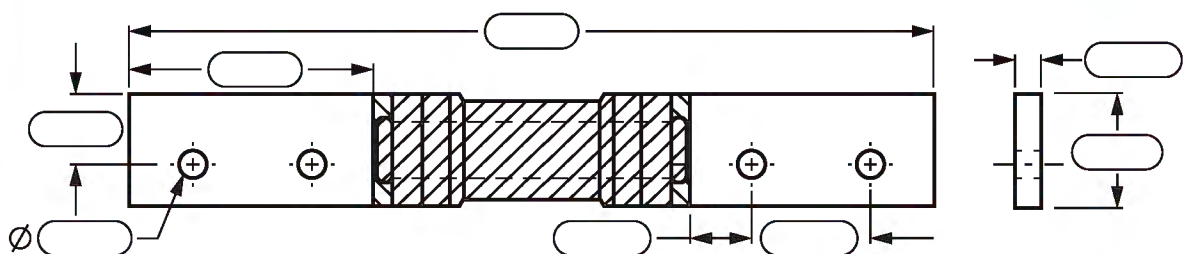
### WIPER PADDLE



### ROUNDED PADDLE



### STANDARD PADDLE



Notes

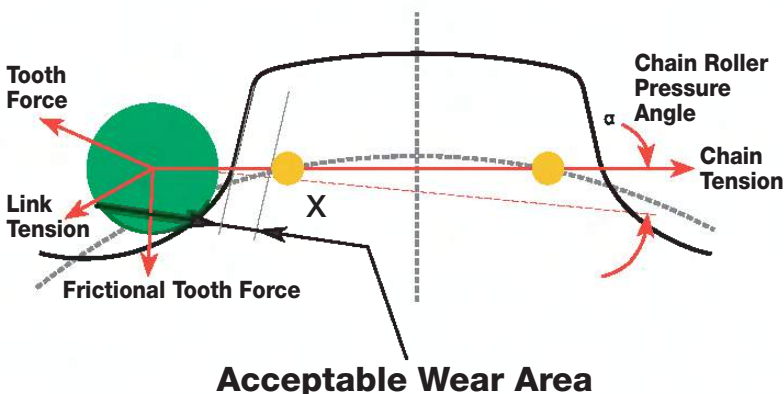
# Engineering Class Sprockets

## ENGINEERING CLASS SPROCKETS FROM TSUBAKI®

- Tsubaki maintains a wide array of sprocket options and can offer premium fabricated sprockets and traction rims for most Engineering Class applications.
- Tsubaki sprockets are designed specifically based on the mating chain to assure proper dynamic interaction/articulation.
- High Carbon, Alloy or Stainless materials are available.
- A keyway and 2 set screws is standard, other locking options available on request.
- All Tsubaki Engineering Class sprockets/traction rims are uniquely heat treated based on specific, proprietary schedules to ensure long and reliable service life.
- Lightening holes, utilized to reduce weight and allow for efficient/safe handling are available for most designs.
- Leverage the following data sheets to accurately document your sprocket for a quotation or call 1-800-323-7790 to discuss your project in detail with a Tsubaki Sprocket Specialist.

## Smart Tooth® Sprocket Technology

Tsubaki's Smart Tooth® sprockets with patented Wear Indicator Technology offer the ability to easily and proactively identify and schedule maintenance before a critical component failure. This innovative design not only allows for proactive sprocket wear identification, it also mitigates the risk of worn sprockets permanently damaging the mating chain. This patented technology is available on most Engineering Class Sprockets.



# Sprocket Construction Types / Styles



## Solid

- Solid plate, welded to solid hub.
- A basic, economic construction.



## Split

- Split plate, split hub.
- A basic construction that allows for easier installation – can remove without removing shaft.



## Segmented

- Solid plate welded to hub with bolt on segments.
- An innovative construction that allows for easy segment replacement—can remove without removing shaft or hub body.



## Segmented / Split

- A split plate/hub with bolt on segments.
- Ultimate flexibility – Segment or hub body can be easily serviced/ replaced without removing shaft.



## Hunting Tooth

- A unique construction that allows for extended service life.
- Hunting tooth sprockets have an odd number of teeth and are half the pitch of the mating chain. Every time the sprocket makes a revolution, the chain engages with one set of teeth, ahead of the previously engaged set. Hence, each sprocket tooth only sees engagement every other rotation.



## Double Duty

- An innovative construction that allow for extended service life.
- Double Duty sprockets are double cut and have an even number of teeth. Utilizing strategic, manual indexing, this design can provide extended service life, somewhat similar to a hunting design for an even tooth setup.

# Sprocket Construction Types / Styles



## Chain Saver Sprockets

- A unique design that incorporates a special flanged rim on either side of the sprocket body. The chain sidebars rest on the flange as the chain wraps around the sprocket. This configuration keeps the chain on true center and distributes the load over a greater contact area, thus reducing the rate of wear.



## Traction Rim / Wheel

- Essentially a sprocket without teeth.
- Available as a solid, segmented or a segmented/split design.
- Ideal for single strand bucket elevators and/or abrasive conveyor applications.
- Coefficient of friction must be great enough to allow the wheel to drive.
- Key Benefit – Allows the chain to slip in an overload or obstructed condition.



## Octagonal Wheel

- Utilized with Heavy Duty Hard Faced Drag Chains. (See Page 243)
- Octagon shape allows the dynamic forces to be transferred directly between chain sidebars and the flats of the octagon. This eliminates the traditional sprocket tooth/chain bushing wear point.
- Guide lugs are typical and keep the chain on center.
- Hardfacing available for extreme conditions.



## Full-Face Drum Sprocket

- Highly respected design regularly utilized with both Welded Mill and Welded Drag chain. (See Pages 195 and 234)
- Full-Face design offers an increased surface area which reduces contact pressures and in turn offers solid wear performance.
- Available in single and multi-strand configurations.



## A-Plate Drum Sprocket

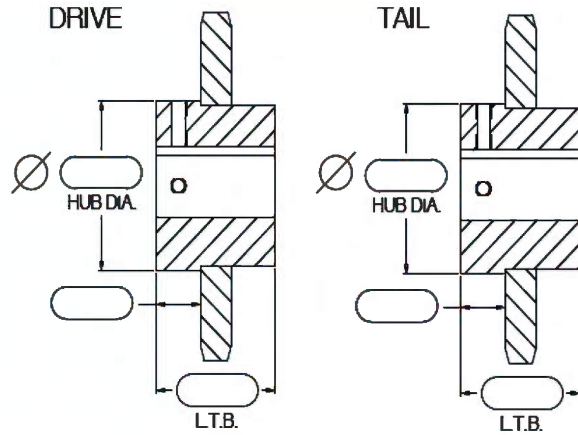
- Classic, traditional style utilized with both Welded Mill and Welded Drag chain. (See Pages 195 and 234)
- Can handle misalignment quite well.
- Open design allows for bulk material pass through.
- Available in single and multi-strand configurations.

# Standard Sprockets / Traction Wheels

Name/Surveyor		Customer Name	
Site/Location		Application Type	
Customer Name		Phone	

## MOUNTING CONFIGURATIONS

(Choose One)	Drive	Tail
Rough Stock Bore	<input type="checkbox"/>	<input type="checkbox"/>
Plain Bore	<input type="checkbox"/>	<input type="checkbox"/>
Keyway & 2 Set Screws	<input type="checkbox"/>	<input type="checkbox"/>
Bronze Bushing	<input type="checkbox"/>	<input type="checkbox"/>
Power Lock	<input type="checkbox"/>	<input type="checkbox"/>
Taper-lock Bushing	<input type="checkbox"/>	<input type="checkbox"/>
QD Bushing	<input type="checkbox"/>	<input type="checkbox"/>
ER Bushing	<input type="checkbox"/>	<input type="checkbox"/>
Other (specify below)	<input type="checkbox"/>	<input type="checkbox"/>



### Notes

## CONSTRUCTION DETAILS

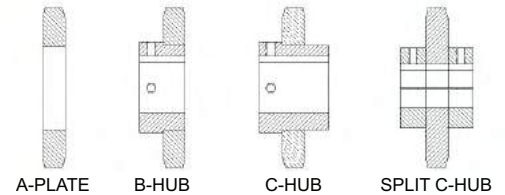
(Check all that apply)	Drive	Tail
A-Plate	<input type="checkbox"/>	<input type="checkbox"/>
B-HUB	<input type="checkbox"/>	<input type="checkbox"/>
C-HUB	<input type="checkbox"/>	<input type="checkbox"/>
Split HUB	<input type="checkbox"/>	<input type="checkbox"/>
Segmented	<input type="checkbox"/>	<input type="checkbox"/>
Hunting Tooth	<input type="checkbox"/>	<input type="checkbox"/>
Double Duty	<input type="checkbox"/>	<input type="checkbox"/>
Chain Saver	<input type="checkbox"/>	<input type="checkbox"/>
Traction Rim / Wheel	<input type="checkbox"/>	<input type="checkbox"/>
Octagonal Wheel	<input type="checkbox"/>	<input type="checkbox"/>
Lightening Holes	<input type="checkbox"/>	<input type="checkbox"/>

Drive Shaft Diameter

Drive Number of Teeth

Tail Shaft Diameter

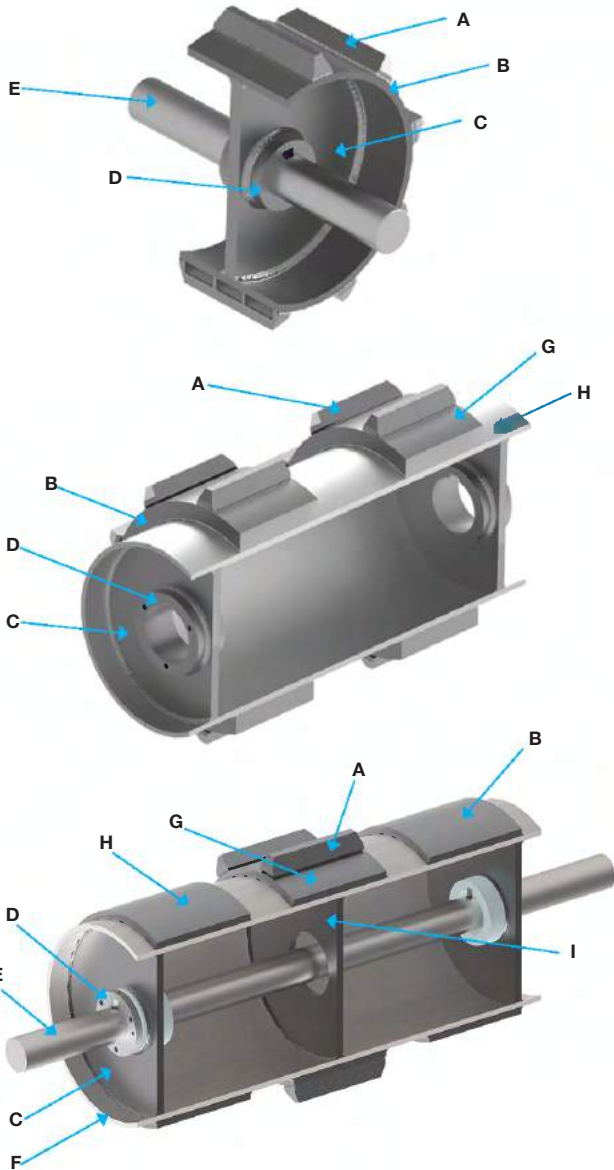
Tail Number of Teeth



### Notes



# Drum Style Sprockets



## SINGLE DRUM SPROCKET

The Can is the main structural member of the drum assembly. Teeth are typically welded to the Can to provide positive traction, but traction wheel (toothless) style designs are also available.

## DOUBLE DRUM SPROCKET

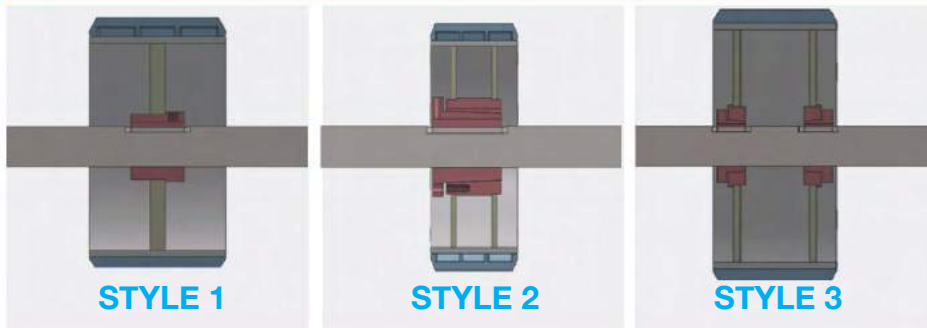
Multi-strand drums are typically supplied with a Shroud. This allows for added strength and structural rigidity. Multi-strand drums without a Shroud are available upon request.

## TRIPLE STRAND, COMBINATION SPROCKET & TRACTION WHEEL

Support Plates are utilized to provide additional structural rigidity and strength on triple strand drums and larger.

<b>A</b> Teeth	<b>F</b> Shroud
<b>B</b> Can	<b>G</b> Sprocket
<b>C</b> Hub Plate	<b>H</b> Traction Wheel
<b>D</b> Hub	<b>I</b> Support Plate
<b>E</b> Shaft	

## HUB STYLES



**Style 1** for bores up to 3-15/16". **Style 2** with double hub plates are required for bores greater than 4". Split Taper bushings are standard for single style hubs.

For ease of installation XTB type bushings are suggested for double hub construction.

TYPE	BORE	BUSHING
Single	1-7/16" to 3-15/16"	S1
	4" to 4-15/16"	U1
	5" to 5-15/16"	W1
Multi	1-7/16" to 2-15/16"	XTB30
	3" to 3-7/16"	XTB35
	3-1/2" to 3-15/16"	XTB40
	4" to 4-7/16"	XTB45

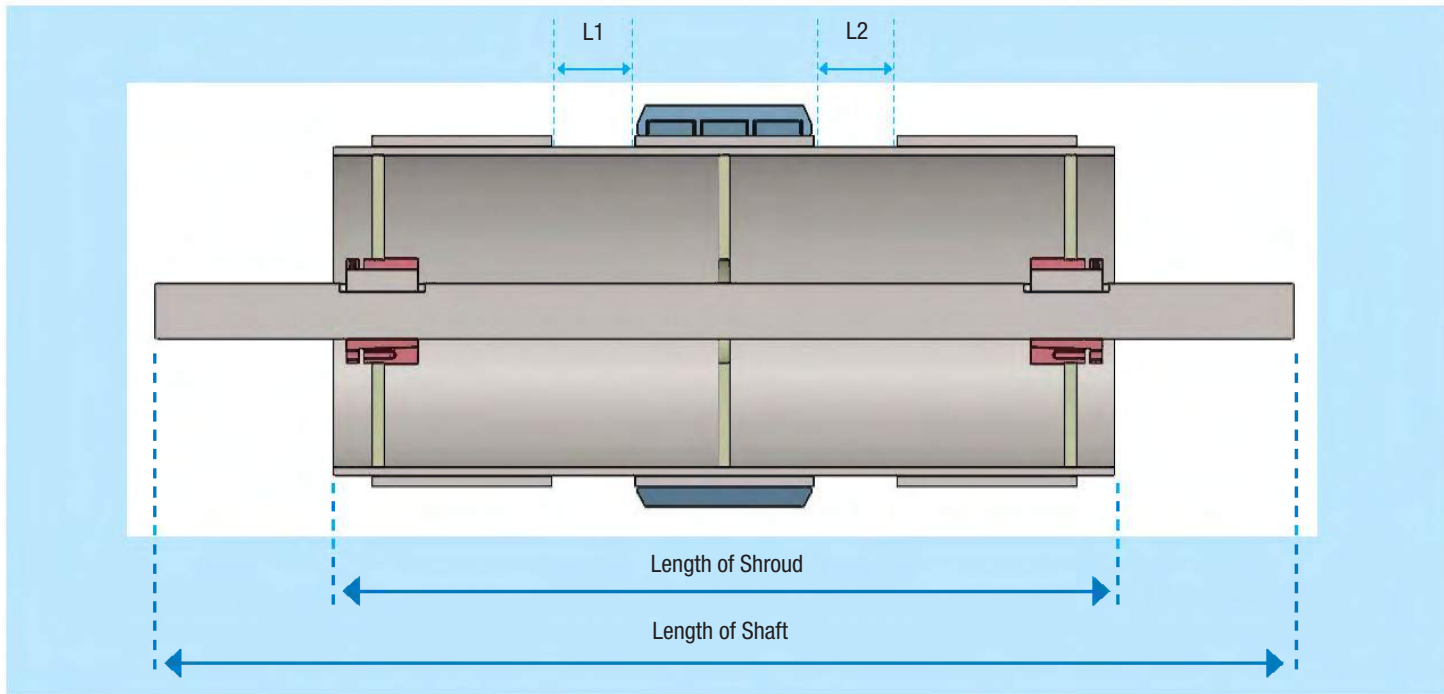


# Drum Style Sprockets

Name/Surveyor		Customer Name	
Site/Location		Application Type	
Customer Name		Phone	

**Nomenclature / Part Number**  
**DR-480-1-10-A**

DR	480	1	10	A
Drum Assembly	Chain Number	# of Strands	# of Teeth	A plate style, otherwise full face is standard
Quantity		Number of Strands		
Chain Size		Number of Hub Plates		
Number of Teeth		Number of Hubs		
Bore		Mounting Type		



	STRAND 1	STRAND 2	STRAND 3	STRAND 4	STRAND 5
Is it a Sprocket or Traction Wheel?					
# of Effective Teeth					
Length between Strands	NA	L1=	L2=	L3=	L4=
Length of Shroud			Length of Shaft		
Shaft Keyway Width			# of Keyways		
Flange Diameter			Flange Length		
Bearings	YES / NO				
Brand Preference					

Send inquiry to: [ecdorders@ustsubaki.com](mailto:ecdorders@ustsubaki.com)



07.2019

# BS-F Series Backstops

Tsubaki's new BS-F Series backstops are designed for simple, drop-in installation to all major competitive backstop products. These backstops use a unique seal design for maximum life with minimal maintenance. With Tsubaki's innovative design features, our backstops ensure efficient and dependable operation in the harshest environments.

## TYPICAL APPLICATIONS

- Mining (Coal, Copper, Potash) - used in inclined conveyors and bucket elevators for transporting raw materials.
- Power Generating Plants that rely on inclined conveyors to transfer coal from the stockpile to the boiler rooms.
- Cement Plants - used in bucket elevators and inclined conveyors for moving limestone and clay to crushers and silos.

## COMMON INDUSTRIES



MINING



POWER  
GENERATORS

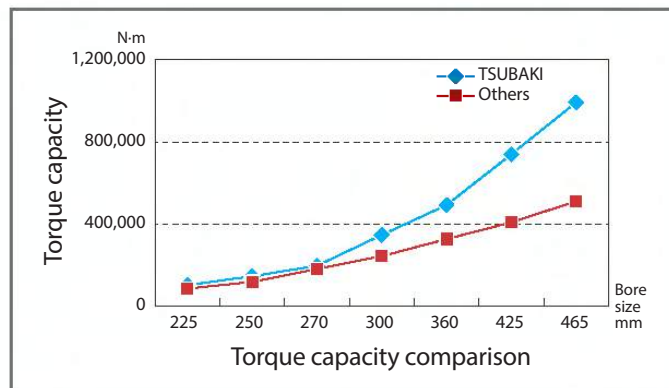


CEMENT

## INNOVATIVE FEATURES:

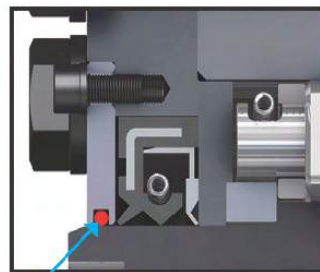
### NON-ROLLOVER CAM

- Provides higher torque ratings than the leading competitors due to the larger profile and greater contact area.
- Improves performance and prevents costly and potentially dangerous rollover.

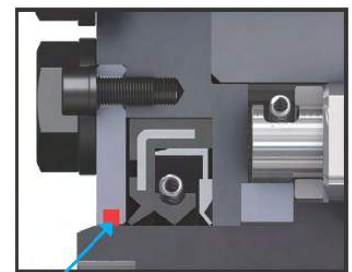


### SPECIAL LABYRINTH SEAL

- New seal design prevents the ingress of dust and other contaminants typically found in mining and cement plants, which extends the life of the lubricant.
- Minimizes heat generation and provides trouble-free service with minimal scheduled maintenance.



Flexible Labyrinth



Grease Only

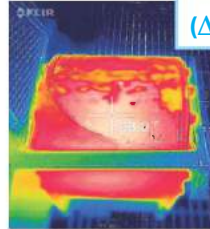
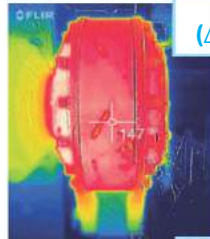


Don't see what you need? Call us at 1-800-323-7790 and we will make it!

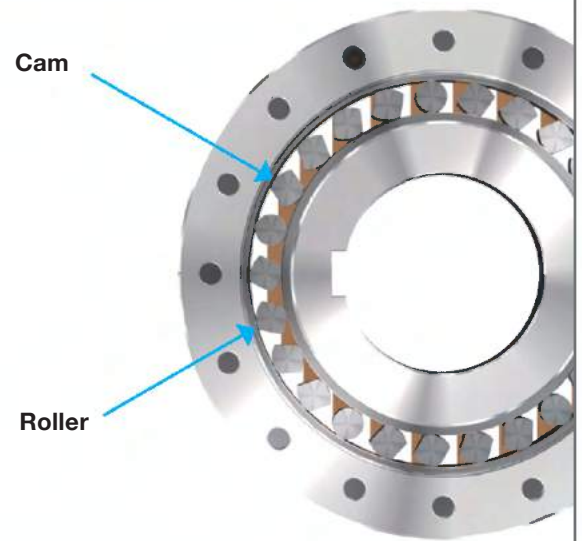
### GREASE LUBRICATION

- Offers synthetic grease lubrication in a sealed backstop design.
- Breather element is eliminated.
- No need to monitor oil levels, refill the backstop or worry about moisture in the lubricant.
- Provides maintenance-free and trouble-free performance.

#### AMBIENT TEMPERATURE 60°F



COOLER RUNNING PERFORMANCE



### DROP IN DESIGN

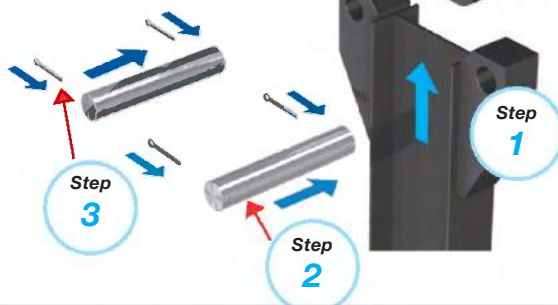
- Tsubaki offers the narrowest backstop with an I-beam torque arm.
- Quick and easy field replacement. Drop in compatible with most competitive products.

### 3 STEP EASY CONNECTION

**Step 1:** Insert I-beam torque arm into clutch

**Step 2:** Insert lock pins through flange plate and secure torque arm

**Step 3:** Insert retaining pins into lock pins



# One-Touch Inspection Door®

Tsubaki's One-Touch Inspection Doors® are dust and moisture tight and designed specifically for industrial conveyor enclosures and material processing/handling equipment. These unique, patented, lockable, pre-fabricated units are simple to install and allow for quick and easy access without any special tools. No loose parts or bolts to misplace.

## ONE-TOUCH INSPECTION DOORS 3-PART DESIGN

- The framework is made of high quality mild steel or stainless steel to ensure durability and long service life.
- The strong, long-lasting hinges and self-locking handles open and close easily.
- The specially designed gaskets withstand temperatures of -95°F to 550°F and ensure a tight fit against water and dust.
- Installs quickly to existing equipment without detailed dimensioning or costly structural changes.
- Lockable, pre-fabricated units are simple to install and allow for quick and easy access without any special tools.
- Custom Made-To-Order sizes and configurations are available upon request.

## COMMON INDUSTRIES



GENERAL  
MANUFACTURING



INDUSTRIAL  
MINERALS



MINING



CEMENT



GRAIN



POWER  
GENERATORS



FERTILIZER

## REGULAR

This is the regular style of One-Touch Inspection Door, which provides stable quality.



## HIGH NECK (H)

High-neck style has a higher frame than the regular style. Suitable for installation on curved surfaces, areas using heat insulating materials and areas which need the frame high.



Don't see what you need? Call us at 1-800-323-7790 and we will make it!

STANDARD MODEL	
DESCRIPTION	MATERIAL THICKNESS
FRAME	1/8"
COVER	13 gauge

## Easy Access to Your Conveyor Operation

GASKET OPTIONS	
MATERIAL	TEMPERATURE RANGES
POLYETHYLENE (SG)	-95°F to 175°F
EPICHLORHYDRIN (ECH)	-40°F to 275°F
SILICON RUBBER (HT)	-67°F to 400°F

COMPONENT COMPOSITION		
MODEL #	BODY MATERIAL	HANDLE MATERIAL
P SERIES	Mild Steel with Rust-Proof Primer	Chrome-plated
Q SERIES	304 Stainless Steel	Chrome-plated
R SERIES	304 Stainless Steel	304 Stainless Steel
QS SERIES*	316L Stainless Steel	Chrome-plated
RS SERIES*	316L Stainless Steel	304 Stainless Steel

\* Call for Availability

## STANDARD ONE-TOUCH INSPECTION DOOR SPECIFICATIONS

STYLE/MODEL#		DOOR FRAME				COVER						LEVER		APPROX WEIGHT (LBS.)	
		H				H1		L1							
Reg.	High Neck	A	B	Reg.	High Neck	A1	A2	B1	Reg.	High Neck	Reg.	High Neck	Qty.	Reg.	High Neck
P1	P1H	5	8	2	4	6 ¼	8 ½	9	2 ½	4 ½	4 ½	6 ½	1	5	6
P2	P2H	8	12	2	4	9	11 ¼	13	2 ½	4 ½	4 ½	6 ½	1	7	9
P3	P3H	13 ¾	19 ¾	2	4	15	17 ¼	20 ¾	2 ½	4 ½	4 ½	6 ½	2	13	18
P4	-	19 ¾	23 ½	3	N/A	20 ¾	23 ¼	24 ¾	3 ½	N/A	4 ½	N/A	2	24	N/A
<b>304 STAINLESS STEEL BODY, CHROME-PLATED HANDLE</b>															
Q1	Q1H	5	8	2	4	6 ¼	8 ½	9	2 ½	4 ½	4 ½	6 ½	1	5	6
Q2	Q2H	8	12	2	4	9	11 ¼	13	2 ½	4 ½	4 ½	6 ½	1	7	9
Q3	Q3H	13 ¾	19 ¾	2	4	15	17 ¼	20 ¾	2 ½	4 ½	4 ½	6 ½	2	13	18
Q4	-	19 ¾	23 ½	3	N/A	20 ¾	23 ¼	24 ¾	3 ½	N/A	4 ½	N/A	2	24	N/A
<b>304 STAINLESS STEEL BODY, STAINLESS STEEL HANDLE</b>															
R1	R1H	5	8	2	4	6 ¼	8 ½	9	2 ½	4 ½	4 ½	6 ½	1	5	6
R2	R2H	8	12	2	4	9	11 ¼	13	2 ½	4 ½	4 ½	6 ½	1	7	9
R3	R3H	13 ¾	19 ¾	2	4	15	17 ¼	20 ¾	2 ½	4 ½	4 ½	6 ½	2	13	18
R4	-	19 ¾	23 ½	3	N/A	20 ¾	23 ¼	24 ¾	3 ½	N/A	4 ½	N/A	2	24	N/A

## MADE-TO-ORDER ONE-TOUCH INSPECTION DOOR SPECIFICATIONS

<b>316L STAINLESS STEEL BODY, CHROME PLATED HANDLE</b>															
QS1	QS1H	5	8	2	4	6 ¼	8 ½	9	2 ½	4 ½	4 ½	6 ½	1	5	6
QS2	QS2H	8	12	2	4	9	11 ¼	13	2 ½	4 ½	4 ½	6 ½	1	7	9
QS3	QS3H	13 ¾	19 ¾	2	4	15	17 ¼	20 ¾	2 ½	4 ½	4 ½	6 ½	2	13	18
<b>316L STAINLESS STEEL BODY, 304 STAINLESS STEEL HANDLE</b>															
RS1	RS1H	5	8	2	4	6 ¼	8 ½	9	2 ½	4 ½	4 ½	6 ½	1	5	6
RS2	RS2H	8	12	2	4	9	11 ¼	13	2 ½	4 ½	4 ½	6 ½	1	7	9
RS3	RS3H	13 ¾	19 ¾	2	4	15	17 ¼	20 ¾	2 ½	4 ½	4 ½	6 ½	2	13	18

Dimensions are in inches unless otherwise indicated and are rounded to the nearest ¼".

LARGE MODEL	
DESCRIPTION	MATERIAL THICKNESS
FRAME	1/4"
COVER	10 gauge

GASKET OPTIONS	
MATERIAL	TEMPERATURE RANGES
SILICON RUBBER (HT)	-80°F to 550°F

COMPONENT COMPOSITION	
L SERIES	OPTIONS
BODY MATERIAL	Mild Steel, Stainless Steel*
LEVER MATERIAL	Mild Steel, Stainless Steel*
BODY FINISH	Rust-proof Primer
HANDLE FINISH	Chrome-plated
GASKET OPTION	Silicon Rubber

\* Call for Availability

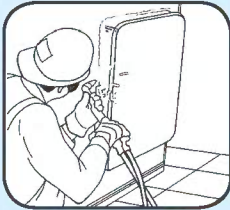
LARGE ONE-TOUCH INSPECTION DOOR SPECIFICATIONS								
Model #	DOOR OPENING		COVER			LEVER		Approx Weight (lbs)
	A	B	A1	B1	H	L1	Qty.	
L1	29 1/2	19 3/4	34 1/4	24 1/2	3 1/4	5 1/4	5	80
L2	39 1/4	25 1/2	44	30 1/4	3 1/4	5 1/4	6	111
L3	47 1/4	31 1/2	52	36 1/4	3 1/4	5 1/4	8	141

\* Dimensions are in inches unless otherwise indicated and are rounded to the nearest 1/4".

## EASY ACCESS IN 3 EASY STEPS

### 1. POSITION THE DOOR

Place the door frame at the appropriate site and tack weld it into position. Then solidly weld the frame to the surface.



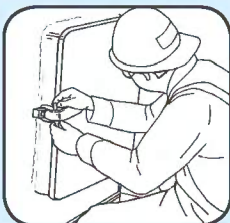
### 2. CUT THE INSIDE HOLE

Open the door and carefully torch burn the center to create the access point.

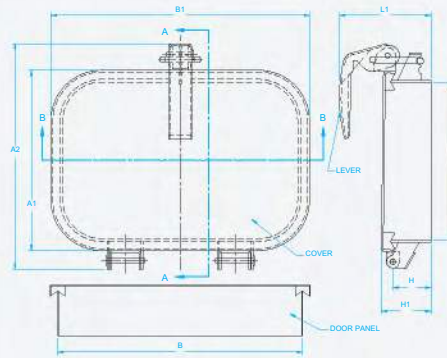


### 3. COMPLETE INSTALLATION

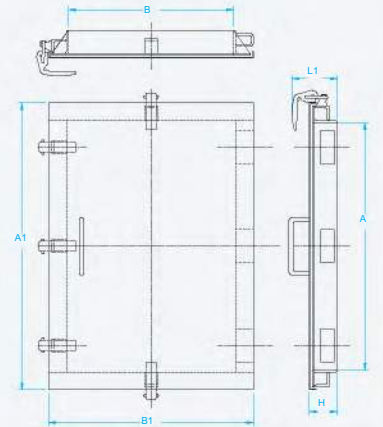
After the area has cooled, attach the lever, apply the gasket, and place the safety warning label in a prominent position.



### STANDARD MODEL



### LARGE MODEL



### Tsubaki One-Touch Inspection Doors:

- Durable and trouble-free
- Dust and rain tight
- Easy to open
- Easy to install

### KEY SAFETY FEATURES:

- Lockout Ability - A simple padlock can be used on any door to prevent entry to equipment.
- Protective Screen - A protective screen for visual inspection is available for immediate shipment on P1, P2 and P3 styles\*. Meets OSHA standards. (\*Special order for other styles)



# Assembly/Disassembly Tools

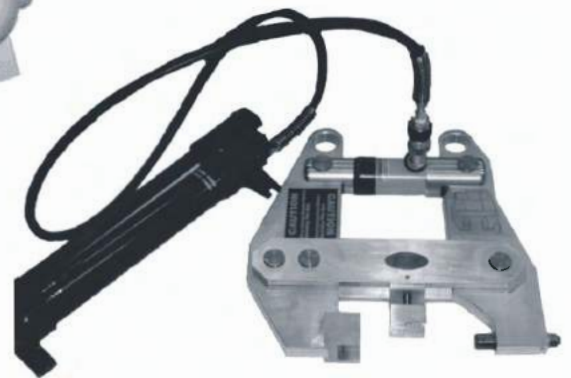
## CUSTOM CHAIN ASSEMBLY & DISASSEMBLY TOOLS FROM TSUBAKI®

- High interference press fits are absolutely critical to chain performance and longevity.
- Tsubaki assembly/disassembly tools allow for quick, effective and safe field management of high interference press fits.
- Most units are tailored to a specific chain design or need, but standard more universal models are also readily available.
- All units are relatively ergonomic, easy to use and designed to withstand harsh industrial use/environments.
- Please contact us for assistance with tool sizing, selection and availability.

*Traditional Cradle Style*



*Lightweight Aluminum  
Clamp Style*



## INDEX

Description	Page #	Description	Page #
<b>DRIVE CHAIN - OFFSET SIDEBAR</b>			
Roster .....	30	US1353 .....	31
520RX .....	30	US4031 .....	31
1184RX .....	30	US5021 .....	31
RO3 .....	30	US5042 .....	31
RO3H .....	30	US6065 .....	31
RO4 .....	30	US6550 .....	31
RO4HF .....	30	US6566 .....	31
RO5 .....	30	US7080 .....	31
RO25H .....	30		
RO568N .....	30	<b>ROLLER CONVEYOR CHAINS (1"-5" PITCH)</b>	
RO588 .....	30	Roster .....	34
RO635 .....	30	53R .....	45
RO1245 .....	30	81X .....	39
RO1338 .....	30	81XH .....	41
RO1343 .....	30	81XHH .....	42
RO1345 .....	30	81X Lambda .....	43
RO1602AA .....	30	83R .....	57
RO1605AK .....	30	84R .....	64
RO1613AK .....	30	87R .....	44
RO1616 .....	30	89R .....	61
RO1625 .....	30	91R .....	59
RO1626A .....	30	93R .....	47
RO1634A .....	30	94R .....	52
RO1644A .....	30	95R .....	49
RO1664A .....	30	97R .....	54
RO3125 .....	30	378RX .....	36
RO3125H .....	30	1113R .....	66
RO3140 .....	30	1188R .....	51
RO3180 .....	30	119RX .....	48
RO3924T .....	30	US278R .....	38
RO6042 .....	30	US90R .....	55
US882 .....	30		
US1030 .....	30	<b>ROLLER CONVEYOR CHAINS (6"-8" PITCH)</b>	
US1031 .....	30	Roster .....	68
US1241 .....	30	86R .....	77
US1242 .....	30	96RX .....	88
US1245 .....	30	603R .....	76
US2065 .....	30	604R .....	72
US3011 .....	30	607R .....	74
US3075 .....	30	610R .....	93
US3514 .....	30	614R .....	85
US4121 .....	30	625R .....	82
US4122 .....	30	626R .....	80
US4522 .....	30	627R .....	78
US5031 .....	30	628RX .....	79
US5035 .....	30	629R .....	81
US5542 .....	30	631R .....	84
US5738 .....	30	800RX .....	96
US6042 .....	30	1131R .....	87
US6066 .....	30	2178RX .....	90
		2184RX .....	89
<b>DRIVE CHAIN - STRAIGHT SIDEBAR</b>			
Roster .....	31	2198RX .....	95
344SXX .....	31	B663R .....	92
US64S .....	31	CC5 .....	83
		US196R .....	70



Description	Page #	Description	Page #
<b>ROLLER CONVEYOR CHAINS (9"-18" PITCH)</b>			
Roster .....	98	956 .....	163
925R .....	101	958 .....	165
4004 .....	106	984 .....	168
4009 .....	104	<b>FEEDER BREAKER CHAIN</b>	
4035 .....	107	Roster .....	170
4037 .....	109	FB3035 .....	173
4065 .....	108	FB3040 .....	174
4251 .....	114	FB3067 .....	171
B912R .....	100	FB3075 .....	172
B963R .....	102	FB3500 .....	175
B964R .....	105	FB3750 .....	176
B1263R .....	110	FB4000 .....	177
B1264R .....	115	FB4500 .....	178
B1863R .....	117	FB5500 .....	179
B1864R .....	119	FB6000 .....	180
D963R .....	103	<b>FORGED MINING CHAINS</b>	
D1263R .....	112	IH-BLOCK .....	183
<b>DELTRIN SERIES CHAIN</b>		IH-CONN .....	183
Roster .....	121	IH-CONN .....	185
DS-196R .....	123	IH-RING .....	183
DS-1113 .....	122	IH-RING .....	185
DS-6272 .....	124	IH225-6 .....	183
<b>INCLINE/TRVERSE SCRAPER CHAIN</b>		IH225-48 .....	183
Roster .....	126	IH225-WING .....	183
2111 .....	127	IH265-6 .....	183
3433 .....	128	IH265-48 .....	183
3940 .....	129	IH265-WING .....	183
3945 .....	130	IH305-6 .....	183
3952 .....	131	IH305-48 .....	183
9856 .....	132	IH305-WING .....	183
<b>DUAL STRAND ELEVATOR CHAIN</b>		IHSWIVEL22.5-WING .....	185
Roster .....	134	IHSWIVEL22.5W4L-04 .....	185
4004 .....	135	IHSWIVEL22.5W4L-48 .....	185
4009 .....	136	IHSWIVEL22.5W4L-52 .....	185
4035 .....	137	IHSWIVEL22.5W4L-56 .....	185
4037 .....	138	IHSWIVEL22.5W4L-60 .....	185
4065 .....	139	IHSWIVEL22.5W4L-76 .....	185
4251 .....	140	IHSWIVEL22.5W6L-06 .....	184
4265 .....	141	IHSWIVEL22.5W6L-48 .....	184
<b>STEEL BUSHED CHAIN</b>		IHSWIVEL26.5-WING .....	185
Roster .....	143	IHSWIVEL26.5W4L-04 .....	185
102B .....	149	IHSWIVEL26.5W4L-48 .....	185
102 ½ .....	151	IHSWIVEL26.5W4L-52 .....	185
110 .....	155	IHSWIVEL26.5W4L-56 .....	185
111 .....	153	IHSWIVEL26.5W4L-60 .....	185
131 .....	147	IHSWIVEL26.5W4L-76 .....	185
150X .....	159	IHSWIVEL26.5W6L-06 .....	184
188 .....	144	IHSWIVEL26.5W6L-48 .....	184
833 .....	157	IHSWIVEL28.0-WING .....	185
856 .....	161	IHSWIVEL28.0W4L-04 .....	185
857 .....	164	IHSWIVEL28.0W4L-48 .....	185
859 .....	166	IHSWIVEL28.0W4L-52 .....	185
864 .....	167	IHSWIVEL28.0W4L-56 .....	185
		IHSWIVEL28.0W4L-60 .....	185
		IHSWIVEL28.0W4L-76 .....	185
		IHSWIVEL30.5-WING .....	185

Description	Page #	Description	Page #
<b>FORGED MINING CHAINS (cont.)</b>		WHX-150 .....	219
IHSWIVEL30.5W4L-04 .....	185	WHX-155 .....	223
IHSWIVEL30.5W4L-48 .....	185	WHX-159 .....	227
IHSWIVEL30.5W4L-52 .....	185	WHX-2855 .....	231
IHSWIVEL30.5W4L-56 .....	185	WHX-3855 .....	232
IHSWIVEL30.5W4L-60 .....	185	WHX-4855 .....	233
IHSWIVEL30.5W4L-76 .....	185	<b>WELDED STEEL - DRAG CHAIN</b>	
IHSWIVEL30.5W6L-06 .....	184	Roster .....	234
IHSWIVEL30.5W6L-48 .....	184	WDH-110 .....	235
IHSWIVEL36.2-WING .....	185	WDH-480 .....	237
IHSWIVEL36.2W4L-04 .....	185	WDH-580 .....	240
IHSWIVEL36.2W4L-48 .....	185	<b>WELDED STEEL - HEAVY DUTY HARD FACED SERIES</b>	
IHSWIVEL36.2W4L-52 .....	185	Roster .....	243
IHSWIVEL36.2W4L-56 .....	185	WHX5121 .....	243
IHSWIVEL36.2W4L-60 .....	185	WHX5157 .....	243
IHSWIVEL36.2W4L-76 .....	185	WHX5221 .....	243
IHSWIVEL36.2W6L-06 .....	184	WHX6067 .....	243
IHSWIVEL36.2W6L-48 .....	184	WHX6121 .....	243
ShuttleHawk-6 .....	182	WHX6221 .....	243
ShuttleHawk-72 .....	182	WHX6267 .....	243
<b>IN-FLOOR DOUBLE FLEX CHAIN</b>		<b>APRON CONVEYOR CHAIN ASSEMBLIES .....</b>	
DF-3498 .....	187	244	
DF-3500 .....	188	<b>BUCKETS &amp; BUCKET ASSEMBLIES .....</b>	
DF-3560 .....	190	246	
DF-3910 .....	189	<b>DRAG CHAIN ASSEMBLIES .....</b>	
<b>BAR AND PIN CHAINS .....</b>		248	
191		<b>ENGINEERING CLASS SPROCKETS .....</b>	
<b>DROP FORGED RIVETLESS CHAIN</b>		252	
Roster .....	193	<b>BS-F SERIES BACKSTOPS .....</b>	
160/348 .....	193	258	
160/458 .....	193	<b>ONE-TOUCH INSPECTION DOOR .....</b>	
160/678 .....	193	260	
468 .....	193	<b>ASSEMBLY/DISASSEMBLY TOOLS .....</b>	
698 .....	193	263	
998 .....	193		
S-348 .....	193		
S-458 .....	193		
S-678 .....	193		
S-698 .....	193		
S-998 .....	193		
X-348 .....	193		
X-458 .....	193		
X-658 .....	193		
X-678 .....	193		
<b>WELDED STEEL - MILL CHAIN</b>			
Roster .....	195		
WHX-78 .....	196		
WHX-82 .....	201		
WHX-106 .....	213		
WHX-111 .....	211		
WHX-124 .....	205		
WHX-124H .....	208		
WHX-132 .....	215		

# TERMS AND CONDITIONS OF SALE

## PRICE-PAYMENT

The prices stated are those in effect on the date hereof and are subject to change based on prices in effect on the date of shipment. Interest at the rate of 18% per annum shall be charged on overdue payments. Prices are for Seller's standard packaging only, and F.O.B. Seller's plant or warehouse. All orders are subject to credit approval. Terms of payment are net, 30 days. In the event of non-payment by Buyer, Buyer shall pay all of Seller's costs of collection, including reasonable attorneys' fees. Up to 5% over or under the specified quantity for made-to-order products may be shipped at Seller's option.

## PERFORMANCE-CHANGES-DELAYS

- (a) Any time for delivery stated herein is approximate. Delivery shall be deemed complete by tender of the products to a common carrier. Partial shipments are permitted.
- (b) Orders are not subject to cancellation or revision, in whole or in part, without written approval of Seller.
- (c) Should Buyer cause changes to be made in the design or construction of said products, or otherwise delay or interrupt the progress of the work hereunder, Buyer will reimburse Seller for any additional expenses arising therefrom.
- (d) Seller shall not be liable for any delay caused by acts of God, riot or civil commotion, government orders, rules, regulations, suspensions or requisitions of any kind, strikes or other stoppages of labor or shortage in the supply of labor or material, fire casualties or accidents, or any cause, whether of the same or a different character, beyond Seller's control. Any such delay shall extend the time for delivery of the products. Delay in delivery of any installment shall not relieve Buyer of its obligation to accept remaining deliveries.
- (e) If delays due to Buyer's fault exceed 60 days in the aggregate, the entire purchase price shall be due and payable to Seller on demand.

## RISK OF LOSS

After delivery to the carrier, Buyer assumes the risk of all loss or damage to the products resulting from any cause whatever.

## LIMITED WARRANTY

Products manufactured by Seller: (a) conform to the design and specifications, if any, expressly agreed to in writing by Seller; and (b) are free of defects in workmanship and materials at the time of shipment. The warranties set forth in the preceding sentence are exclusive of all other warranties, express or implied, and extend only to Buyer and to no other person. ALL WARRANTIES OF MERCHANTABILITY OR FITNESS FOR A PARTICULAR PURPOSE ARE HEREBY EXCLUDED.

## NON-RELIANCE

Buyer is not relying upon any advice, representations or warranties (except the warranties expressly set forth above) of Seller, or upon Seller's skill or judgment regarding the Seller's products. Buyer is solely responsible for the design and specifications of the products, including without limitation, the determination of suitability for Buyer's application of the products.

## CLAIMS

- (a) Any claim relating to quantity or type shall be made to Seller in writing within 7 days after receipt of the products; any such claim made thereafter shall be barred.
- (b) Any claim under the above-stated Limited Warranty shall be made to Seller in writing within three (3) months after receipt of the products; any such claim made thereafter shall be barred.
- (c) Seller's liability for breach of warranty or otherwise is limited to repair or replacement, at Seller's option, of non-conforming or defective products. Buyer waives all other remedies, including, but not limited to, all rights to consequential, special or incidental damages, including, but not limited to, damages resulting from personal injury, death or damage to or loss of use of property.
- (d) Repair, alteration, neglect or misuse of the products shall void all applicable warranties.

## INDEMNIFICATION

Buyer will indemnify, defend and hold Seller harmless from all loss, liability, damage and expense, including attorneys' fees, arising out of any claim (a) for infringement of any patent, trademark, copyright, misappropriation of trade secrets, unfair competition or similar charge by any products supplied by Seller in accordance with the design or specifications furnished by Buyer, or (b) arising out of or connected with the products or any items into which the products are incorporated, including, but not limited to, any claim for product liability (whether or not based on negligence or strict liability of Seller), breach of warranty, breach of contract or otherwise.

## DUTIES AND TAXES

In addition to the specified purchase price, Buyer will pay any and all federal, state or local taxes, duties, excises, license fees and other charges leveled, assessed or imposed upon Seller due to the manufacture, sale, purchase or delivery of the products. Buyer shall also pay the cost by which such manufacture is increased by reason of any law, ordinance or regulation adopted or promulgated by any government or governmental subdivision, department or agency, or other source, after the date hereof, but prior to the completion and delivery hereunder.

## SPECIFICATIONS, DRAWINGS, PATTERNS AND TOOLS

Seller's specifications, drawings, patterns and tooling shall be the sole and exclusive property of Seller unless otherwise agreed in writing.

## ENTIRE AGREEMENT

These terms and conditions constitute the entire agreement between Buyer and Seller and supersede any inconsistent terms and conditions, whether contained in Buyer's purchase order or otherwise, and whether made heretofore or hereafter. No statement or writing subsequent to the date hereof which purports to modify or add to the terms and conditions hereof shall be binding unless consented to in writing, which makes specific reference hereto, and which has been signed by the party against which enforcement thereof is sought. Seller reserves the right to change these terms and conditions without prior notice.

## RETURNED GOODS

No goods will be accepted for return without prior written authorization by Seller. Freight must be prepaid on all such returns, and each return is subject to inspection and acceptance by Seller to assure the goods are in a "resalable" condition. A minimum 10% handling and restocking charge will be applied to all authorized returns. Special or made-to-order goods are NOT returnable. Attachment chains returned are at the manufacturer's discretion.



# TSUBAKI®

**LEADING THE MOVEMENT**



Corporate Headquarters  
U.S. Tsubaki Power Transmission, LLC  
301 E. Marquardt Drive  
Wheeling, IL 60090  
Tel: (800) 323-7790  
[www.ustsubaki.com](http://www.ustsubaki.com)



Roller Chain Division  
821 Main Street  
Holyoke, MA 01040  
Tel: (800) 323-7790



Conveyor and Construction  
Chain Division  
1010 Edgewater Drive  
Sandusky, OH 44870  
Tel: (800) 537-6140



Sprocket Manufacturing  
Mississauga, Ontario  
Tel: (800) 323-7790



KabelSchlepp Division  
7100 W. Marcia Road  
Milwaukee, WI 53223  
Tel: (800) 443-4216