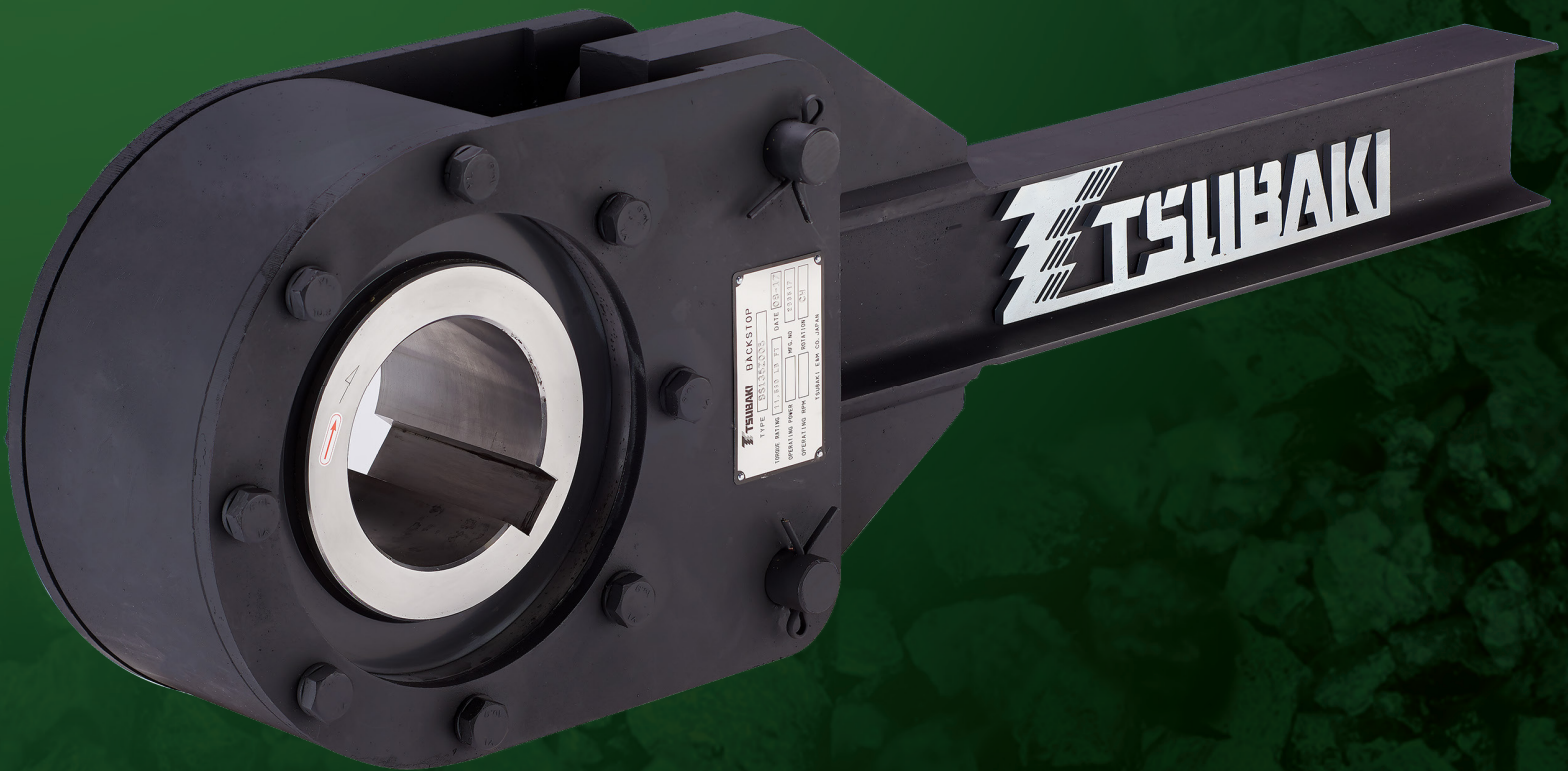




New BS-F Series Backstops

Superior Performance in the
Harshest Environments



BS-F SERIES BACKSTOPS: MADE TO WITHSTAND

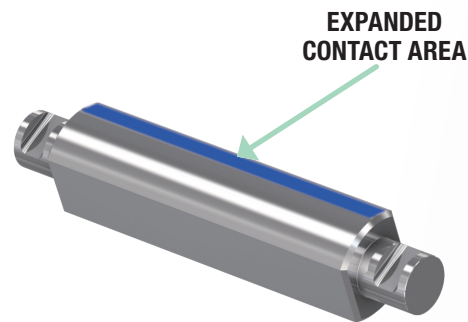
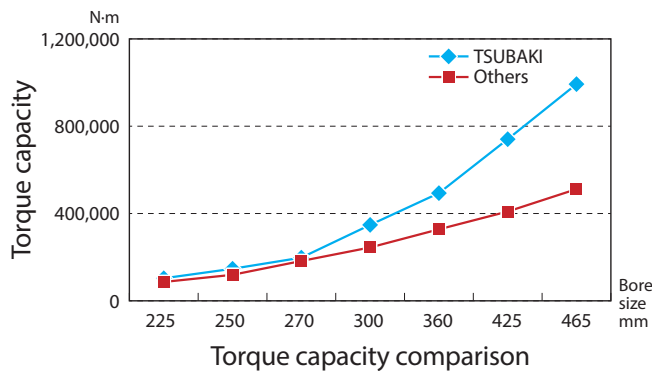
BS-F Series Backstops

Tsubaki's new BS-F Series backstops are designed for simple, drop-in installations to all major competitive backstop products. These backstops use a unique seal design for maximum life with minimal maintenance. With Tsubaki's innovative design features, our backstops ensure efficient and dependable operation in the harshest environments.

INNOVATIVE FEATURES

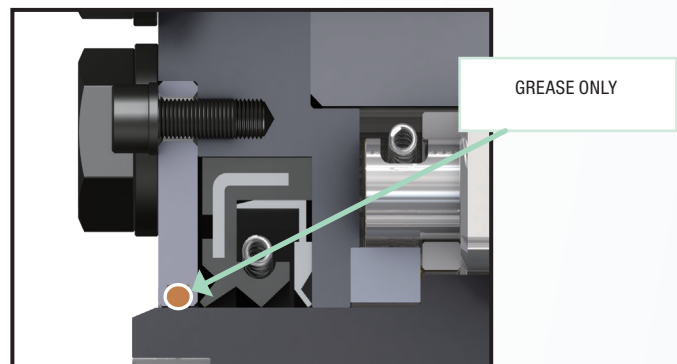
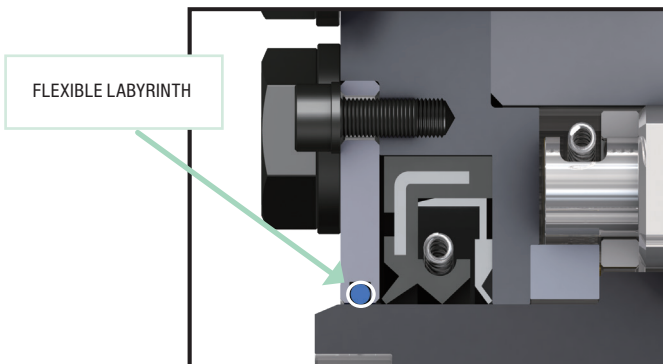
Non-Rollover Cam

Tsubaki's original cam design provides higher torque ratings than the leading competitors due to the larger profile and greater contact area. This improves performance and prevents costly and potentially dangerous roll over.



Special Labyrinth Seal

Tsubaki's new seal design prevents the ingress of dust and other contaminants typically found in mining and cement plants and extends the life of the lubricant. This feature minimizes heat generation and provides trouble-free service with minimal scheduled maintenance.

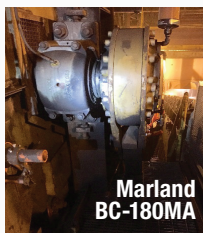


WITHSTAND THE TOUGHEST APPLICATIONS

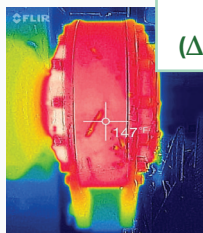
Grease Lubrication

Tsubaki offers synthetic grease lubrication in a sealed backstop design. The breather element is eliminated. There is no need to monitor oil levels, refill the backstop or worry about moisture in the lubricant. This virtually eliminates maintenance and provides trouble-free performance.

AMBIENT TEMPERATURE 60°F



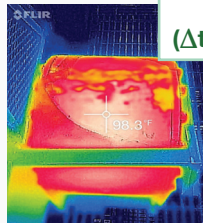
Marland
BC-180MA



147°F
($\Delta t = 87^\circ\text{F}$)

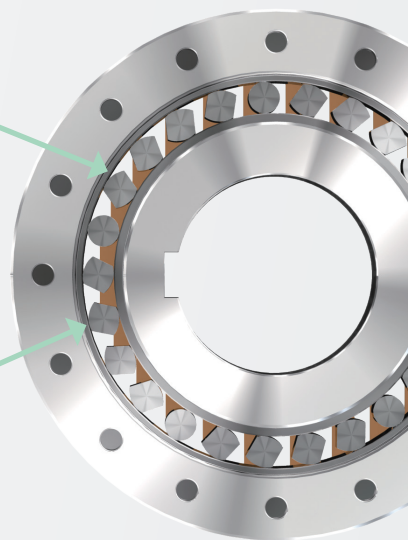


TUBAKI
BS2TOHS



98.3°F
($\Delta t = 38.3^\circ\text{F}$)

CAM
COOLER
RUNNING
PERFORMANCE
ROLLER



Drop-In Design

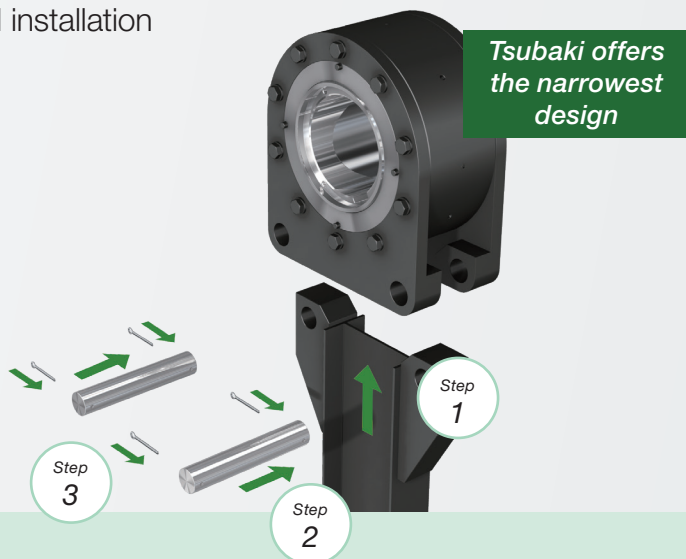
Tsubaki offers the narrowest backstop with an I-beam torque arm. This assures a quick and easy field replacement and installation with major competitive products.

3 STEP EASY CONNECTION

Step 1: Insert I-beam torque arm into clutch

Step 2: Insert lock pins through flange plate and secure torque arm

Step 3: Insert retaining pins into lock pins

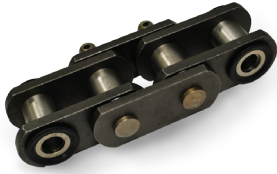


Typical Industries

- Mining (Coal, Copper, Potash) — Backstops are used in inclined conveyors and bucket elevators for transporting raw material to processing centers
- Power Generating Plants — Backstops can be seen in coal burning plants which rely on inclined conveyors to transfer coal from the stockpile to the boiler rooms
- Cement Plants — Backstops are used in bucket elevators and inclined conveyors for moving limestone and clay to crushers and silos

PROTECT YOUR OPERATION! CALL 800.323.7790

More innovative solutions from Tsubaki



**SEALED JOINT
CHAIN OPTIONS**



**BACKSTOPS &
OVERRUNNING
CLUTCHES**



**STEEL CABLE
CARRIERS**



**CONTINUOUS-
FLEX CABLES**



**SMART TOOTH®
SPROCKETS**



**TITAN™ SERIES
CHAINS**



EXCELLENCE THROUGH INNOVATION SINCE 1917

For over 100 years, Tsubaki has developed and manufactured the highest-quality products for power transmission and motion control. With a vast network of global production facilities, R&D resources and sales offices, Tsubaki remains committed to providing innovative solutions to customers' problems for the next 100 years.

ustsubaki.com



Corporate Headquarters
U.S. Tsubaki Power Transmission, LLC
301 E. Marquardt Drive
Wheeling, IL 60090
Tel: 800.323.7790



Roller Chain Division
821 Main St.
Holyoke, MA 01040
Tel: 800.323.7790



**Conveyor & Construction
Chain Division**
1010 Edgewater Drive
Sandusky, OH 44870
Tel: 800.537.6140



Sprocket Manufacturing
1630 Drew Road
Mississauga, ON L5S 1J6
Tel: 800.323.7790



**Cable & Hose
Carrier Division**
7100 W. Marcia Road
Milwaukee, WI 53223
Tel: 800.443.4216

Note: In accordance with the policy of U.S. Tsubaki Power Transmission, LLC to consistently improve its products, the specifications in this brochure are subject to change without notice. The logos, brand names or product names in this brochure are trademarks or registered trademarks of Tsubakimoto Chain Co. and its subsidiaries in Japan, the U.S. and other countries.